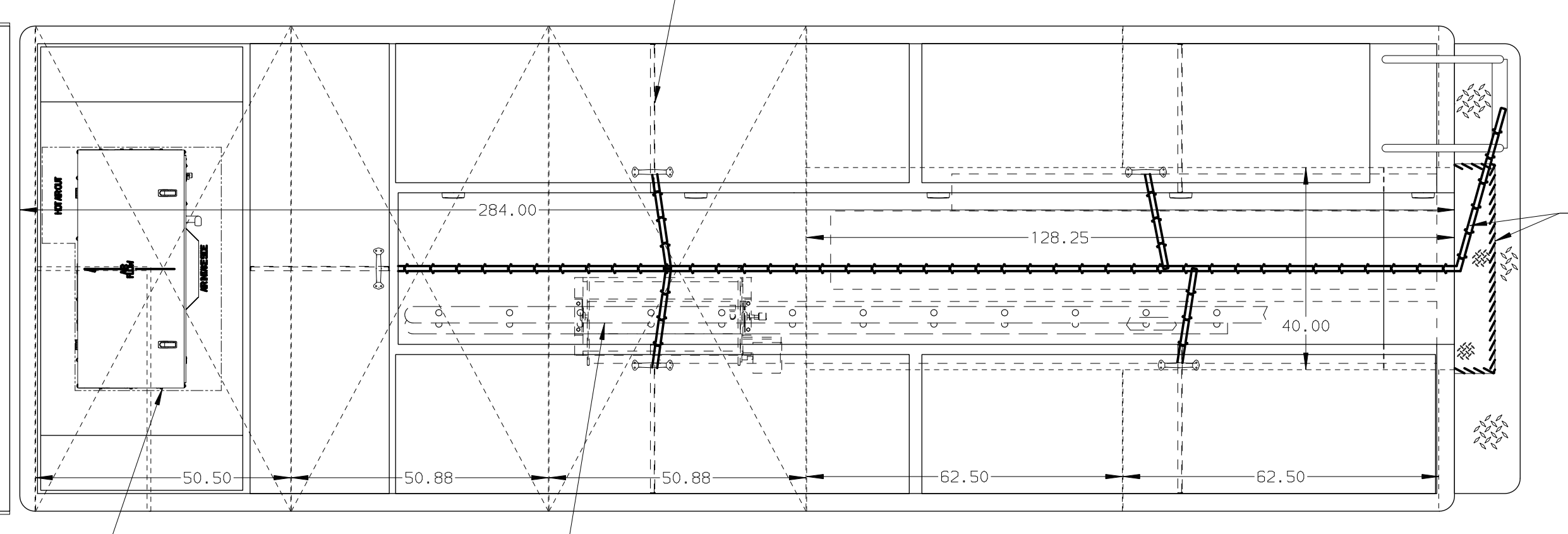
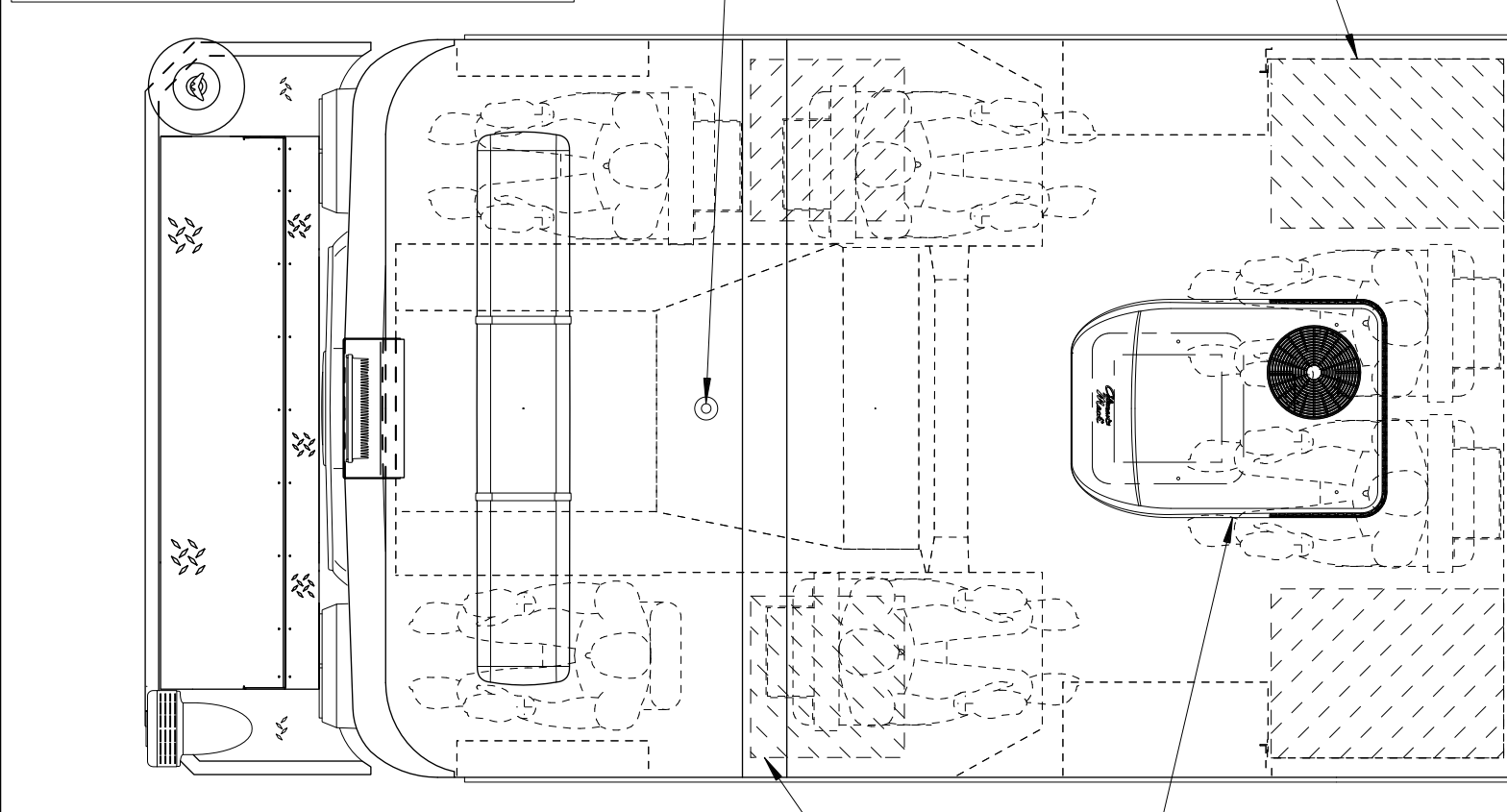
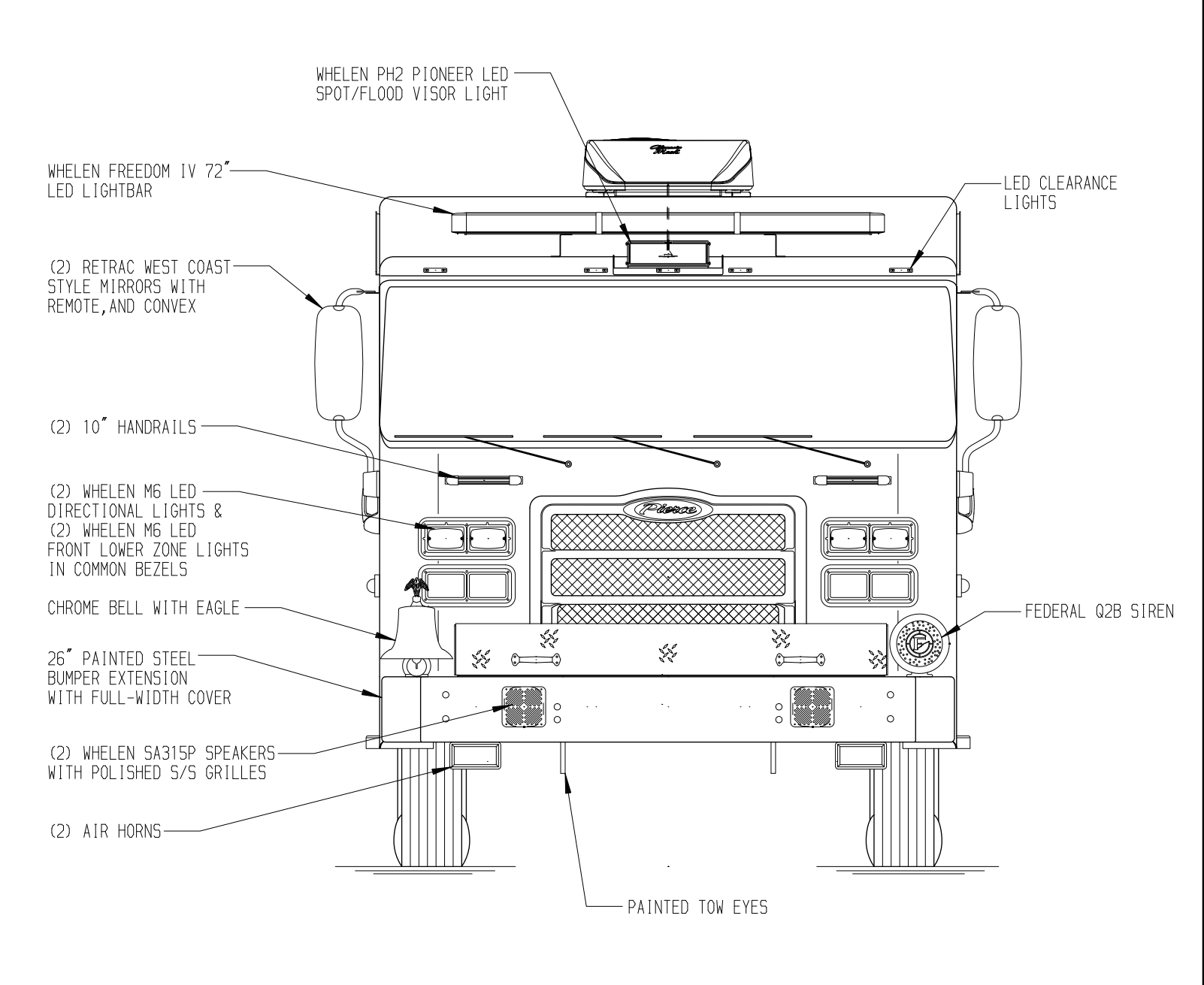
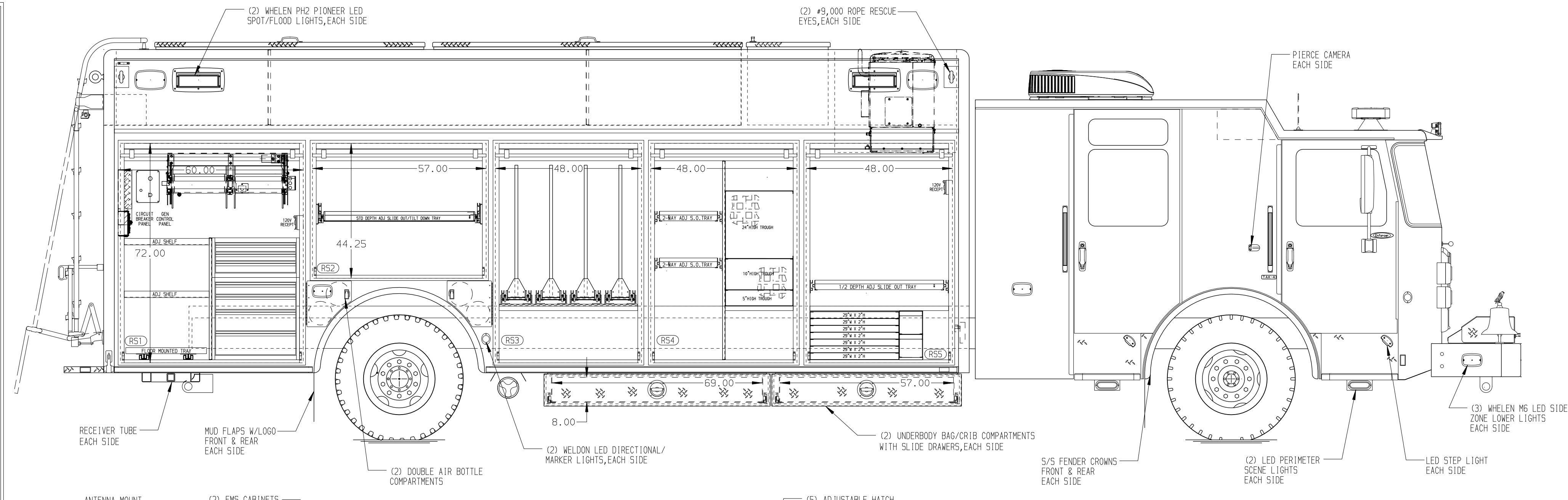


- RIGHT SIDE COMPARTMENTS CONTAIN THE FOLLOWING:**
- COMPARTMENT RS1 CONTAINS:**
- (1) VERTICAL COMPARTMENT DIVIDER
 - (2) STD DEPTH ADJ SHELVES
 - (1) STD DEPTH FLOOR MOUNTED TRAY
 - (1) 4-DRAWER C-TECH CABINET
 - (1) 3-DRAWER C-TECH CABINET
 - (1) CIRCUIT BREAKER PANEL
 - (1) GENERATOR METER PANEL
 - (1) 15/20A, 120V DUPLEX RECEPTACLE
 - REGULATOR AND GAUGES FOR TOOL AIR
 - (1) POWERFLEX GENERATOR/COMPRESSOR CONTROLLER
 - (1) HANNAY DUAL REEL WITH 200' OF AIR HOSE AND 300' OF 10/4 YELLOW CORD
- COMPARTMENT RS2 CONTAINS:**
- (1) STD DEPTH ADJ SLIDE OUT/TILT TRAY
- COMPARTMENT RS3 CONTAINS:**
- (1) HORIZONTAL FLOOR EXTENSION
 - (4) 1/2 DEPTH ADJ SLIDE OUT TOOLBOARDS
- COMPARTMENT RS4 CONTAINS:**
- (1) HORIZONTAL FLOOR EXTENSION
 - (1) VERTICAL COMPARTMENT DIVIDER
 - (1) EQUIPMENT STORAGE RACK
 - (2) 2-WAY ADJ SLIDE OUT TRAYS
- COMPARTMENT RS5 CONTAINS:**
- (1) CAB LIFT CONTROLLER
 - (1) HORIZONTAL FLOOR EXTENSION
 - (1) RACK FOR 7 AIR BAGS
 - (1) RACK FOR 2 SCBA BOTTLES
 - (1) 1/2 DEPTH ADJ SLIDE OUT TRAY
 - (1) 15/20A, 120V DUPLEX RECEPTACLE



LEFT SIDE COMPARTMENTS CONTAIN THE FOLLOWING:

COMPARTMENT LS1 CONTAINS:

- (1) VERTICAL COMPARTMENT DIVIDER
- (1) #1,000 FOLD DOWN RAMP
- (1) STD DEPTH ADJ SHELF
- (1) STD DEPTH ADJ SLIDE OUT/TILT TRAY
- (1) STD DEPTH FLOOR MOUNTED TRAY
- (1) STD DEPTH ADJ SLIDE OUT TOOLBOARD
- (1) 15/20A, 120V DUPLEX RECEPTACLE

COMPARTMENT LS2 CONTAINS:

- (1) STD DEPTH ADJ SLIDE OUT/TILT TRAY

COMPARTMENT LS3 CONTAINS:

- (2) STD DEPTH ADJ SHELVES
- (1) AIR STORAGE REEL W/CAPACITY FOR 1200' OF AIR HOSE

COMPARTMENT LS4 CONTAINS:

- (1) HORIZONTAL FLOOR EXTENSION
- (1) EQUIPMENT STORAGE RACK
- (2) 2-WAY ADJ SLIDE OUT TRAYS
- (1) STD DEPTH FLOOR MOUNTED TRAY
- (5) POLY TOOL BOXES
- (1) VERTICAL COMPARTMENT DIVIDER

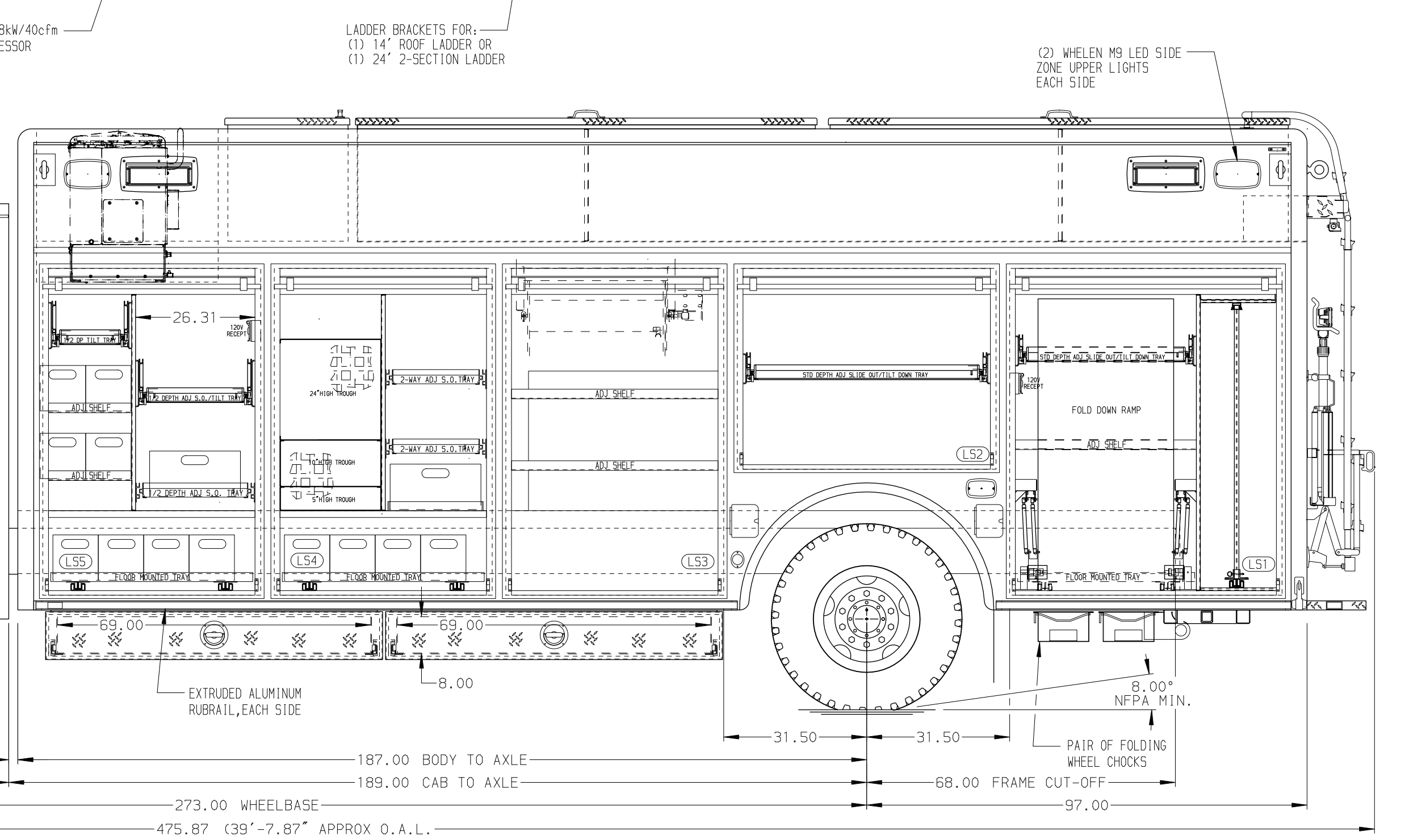
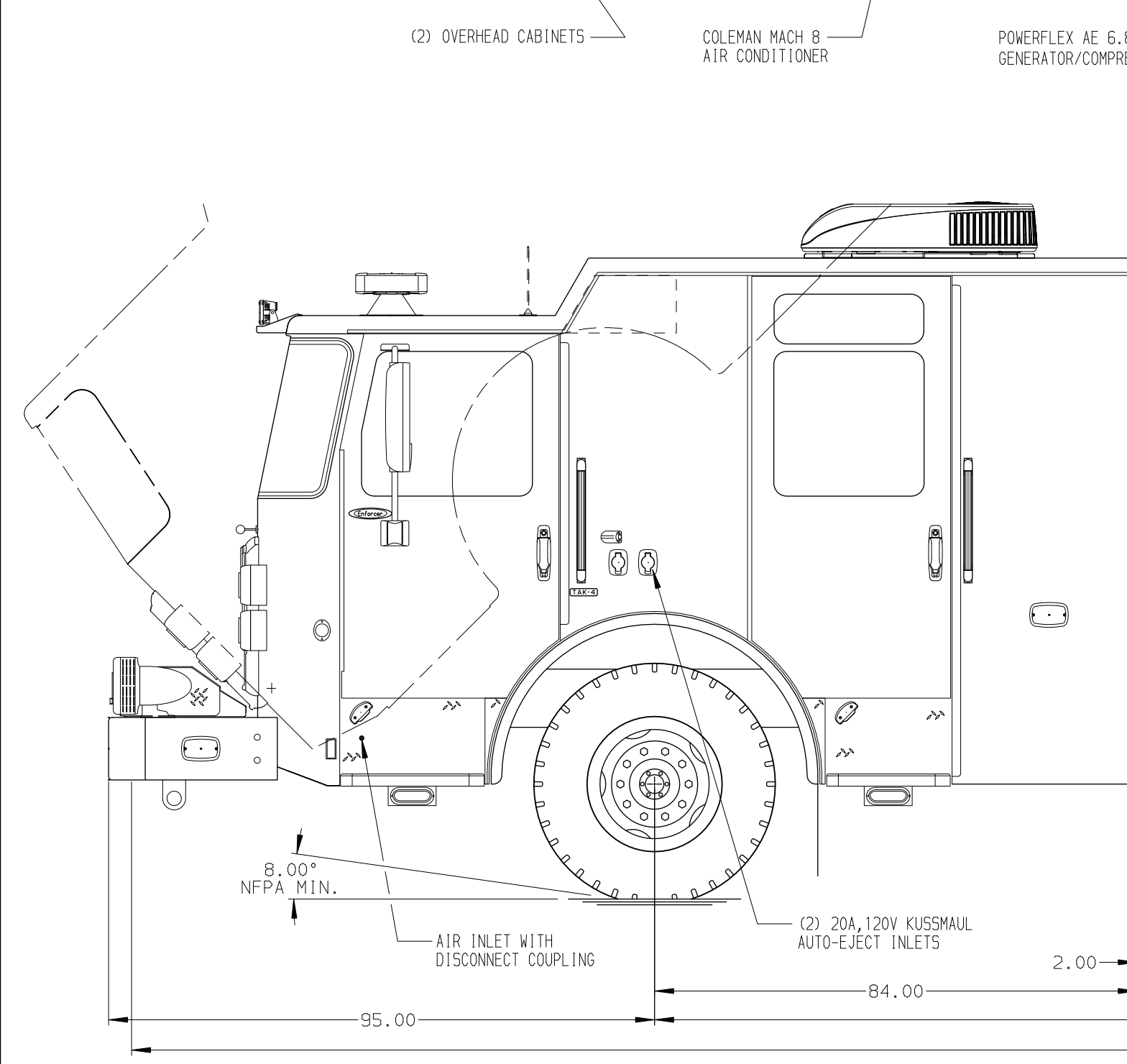
COMPARTMENT LS5 CONTAINS:

- (1) HORIZONTAL FLOOR EXTENSION
- (1) L-SHAPED DIVIDER
- (2) 1/2 DEPTH ADJ SHELVES
- (1) 1/2 DEPTH ADJ SLIDE OUT TRAY
- (2) 1/2 DEPTH ADJ SLIDE OUT/TILT TRAYS
- (1) STD DEPTH FLOOR MOUNTED TRAY
- (13) POLY TOOL BOXES
- (1) 15/20A, 120V DUPLEX RECEPTACLE

REAR COMPARTMENT CONTAINS THE FOLLOWING:

COMPARTMENT B1 CONTAINS:

- (1) STD DEPTH FLOOR MOUNTED TRAY
- (1) HORIZONTAL FLOOR EXTENSION
- (1) RACK FOR THE FOLLOWING:
 - (4) 2' X 8' X 3/4\"/>
- (6) PLYWOOD SHORING SHEETS
- (6) 6' X 6' X 14\"/>



LEFT SIDE COMPARTMENTS CONTAIN THE FOLLOWING:

COMPARTMENT LS1 CONTAINS:

- (1) VERTICAL COMPARTMENT DIVIDER
- (1) #1,000 FOLD DOWN RAMP
- (1) STD DEPTH ADJ SHELF
- (1) STD DEPTH ADJ SLIDE OUT/TILT TRAY
- (1) STD DEPTH FLOOR MOUNTED TRAY
- (1) STD DEPTH ADJ SLIDE OUT TOOLBOARD
- (1) 15/20A, 120V DUPLEX RECEPTACLE

COMPARTMENT LS2 CONTAINS:

- (1) STD DEPTH ADJ SLIDE OUT/TILT TRAY

COMPARTMENT LS3 CONTAINS:

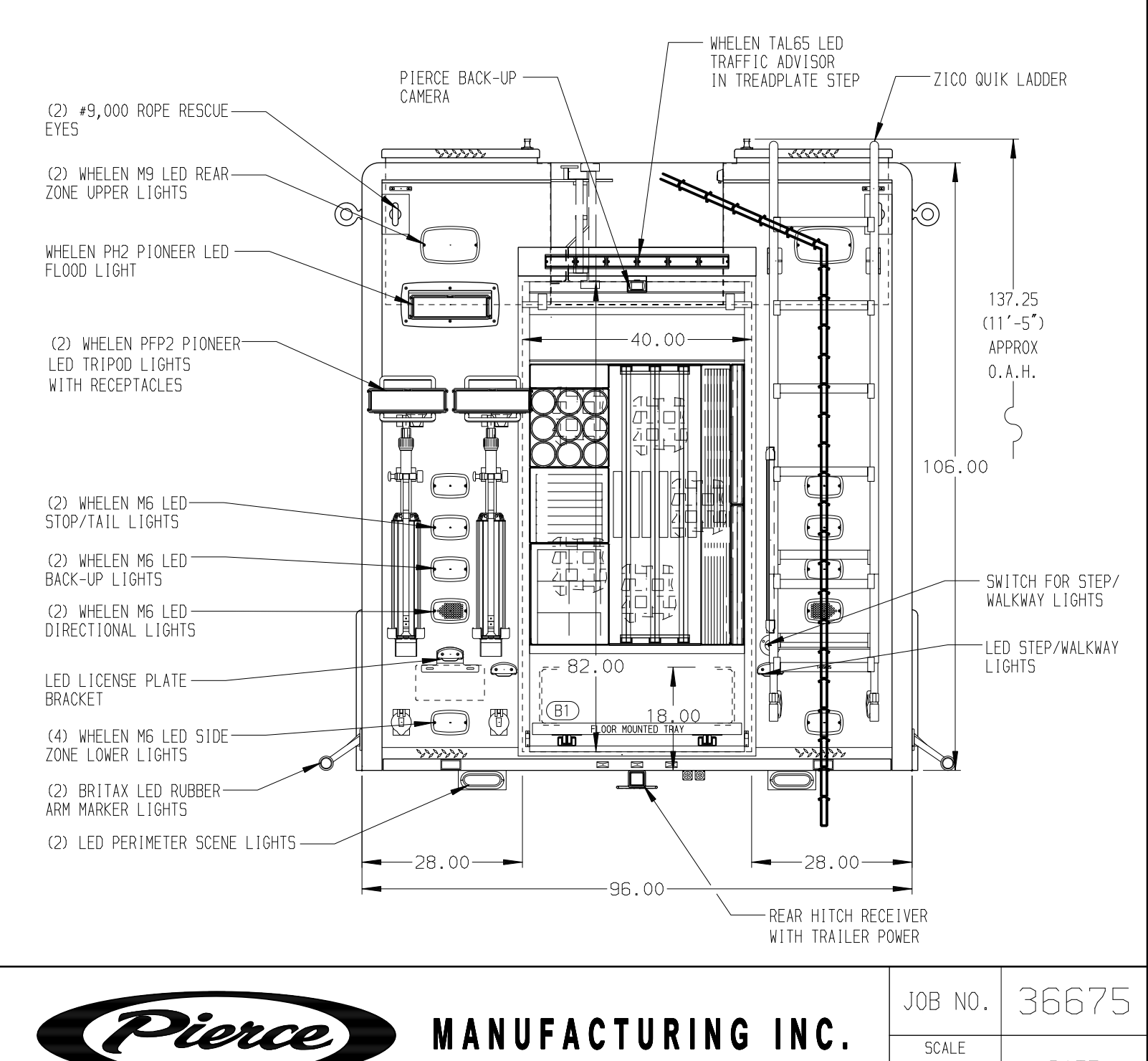
- (2) STD DEPTH ADJ SHELVES
- (1) AIR STORAGE REEL W/CAPACITY FOR 1200' OF AIR HOSE

COMPARTMENT LS4 CONTAINS:

- (1) HORIZONTAL FLOOR EXTENSION
- (1) EQUIPMENT STORAGE RACK
- (2) 2-WAY ADJ SLIDE OUT TRAYS
- (1) STD DEPTH FLOOR MOUNTED TRAY
- (5) POLY TOOL BOXES
- (1) VERTICAL COMPARTMENT DIVIDER

COMPARTMENT LS5 CONTAINS:

- (1) HORIZONTAL FLOOR EXTENSION
- (1) L-SHAPED DIVIDER
- (2) 1/2 DEPTH ADJ SHELVES
- (1) 1/2 DEPTH ADJ SLIDE OUT TRAY
- (2) 1/2 DEPTH ADJ SLIDE OUT/TILT TRAYS
- (1) STD DEPTH FLOOR MOUNTED TRAY
- (13) POLY TOOL BOXES
- (1) 15/20A, 120V DUPLEX RECEPTACLE



NOTE
DIMENSIONS SHOWN ARE APPROXIMATE AND ARE SUBJECT TO MINOR DEVIATIONS AS MAY OCCUR OR BE NECESSARY IN CONSTRUCTION. MINOR DETAILS NOT SHOWN.

- NOTES:**
- POLISHED S/S SCUFFPLATES ON CAB AND CREW CAB DOOR JAMBS
 - FLOOR IN CAB AND CREW CAB TO BE PADDED RUBBER
 - AIR VENT IN PASSENGER'S SIDE REAR HATCH COMPARTMENT
 - PULL STRAPS ON ALL BODY ROLL-UP DOORS
 - PIERCE DUAL LED LIGHT STRIPS IN ALL BODY COMPARTMENTS
 - 20A, 120V DUPLEX RECEPTACLES LOCATED IN THE FORWARD HATCH COMPARTMENTS AND IN EACH OF THE EMS CABINETS
 - WANNER LIFESTAR INVERTER/CHARGER LOCATED BEHIND THE DRIVER'S SEAT
 - PINNABLE WISE FOR USE WITH HITCH RECEIVERS



CUSTOMER APPROVAL

APPROVED BY: _____

DATE: _____

REV	DATE	BY	CH	MODEL
210CT21	DHE	AZU	PIERCE	EN8410

Pierce MANUFACTURING INC.

JOB NO. 36675

SCALE 1:24 DATE _____

DRAWN BY DHE 070CT21

CHECKED BY AZU 080CT21

SHEET SIZE D SHEET NO. 1 OF 1

TITLE HEAVY DUTY RESCUE NON-WALKIN

FOR JACKSONVILLE FIRE AND RESCUE BID #698

ROBERT BOGGUS

DWG NO. 36675AD

CLEAR DOOR WIDTH KEY

AMOR ROLL UP DOORS:	-2 1/4"
GORTITE ROLL UP DOORS:	-2 1/2"
PIERCE DOUBLE LAP DOORS:	-4 1/4"
PIERCE LIFT-UP LAP DOORS:	-1 1/2"

(EX: 60" F - 2 1/4" = 57 3/4" CLEAR)
(F-F) = FRAME TO FRAME