

RIGHT SIDE COMPARTMENTS CONTAIN THE FOLLOWING:

COMPARTMENT RS1 CONTAINS:

- (1) STD DEPTH ADJ SHELF
- (1) VERTICAL COMPARTMENT DIVIDER
- (2) STD DEPTH ADJ SLIDE OUT TOOLBOARDS

COMPARTMENT RS2 CONTAINS:

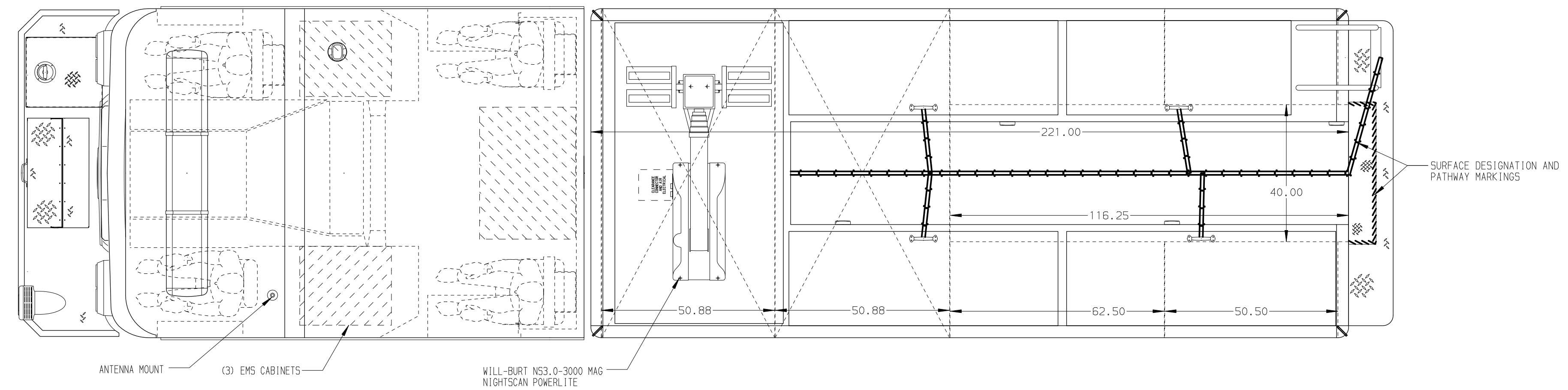
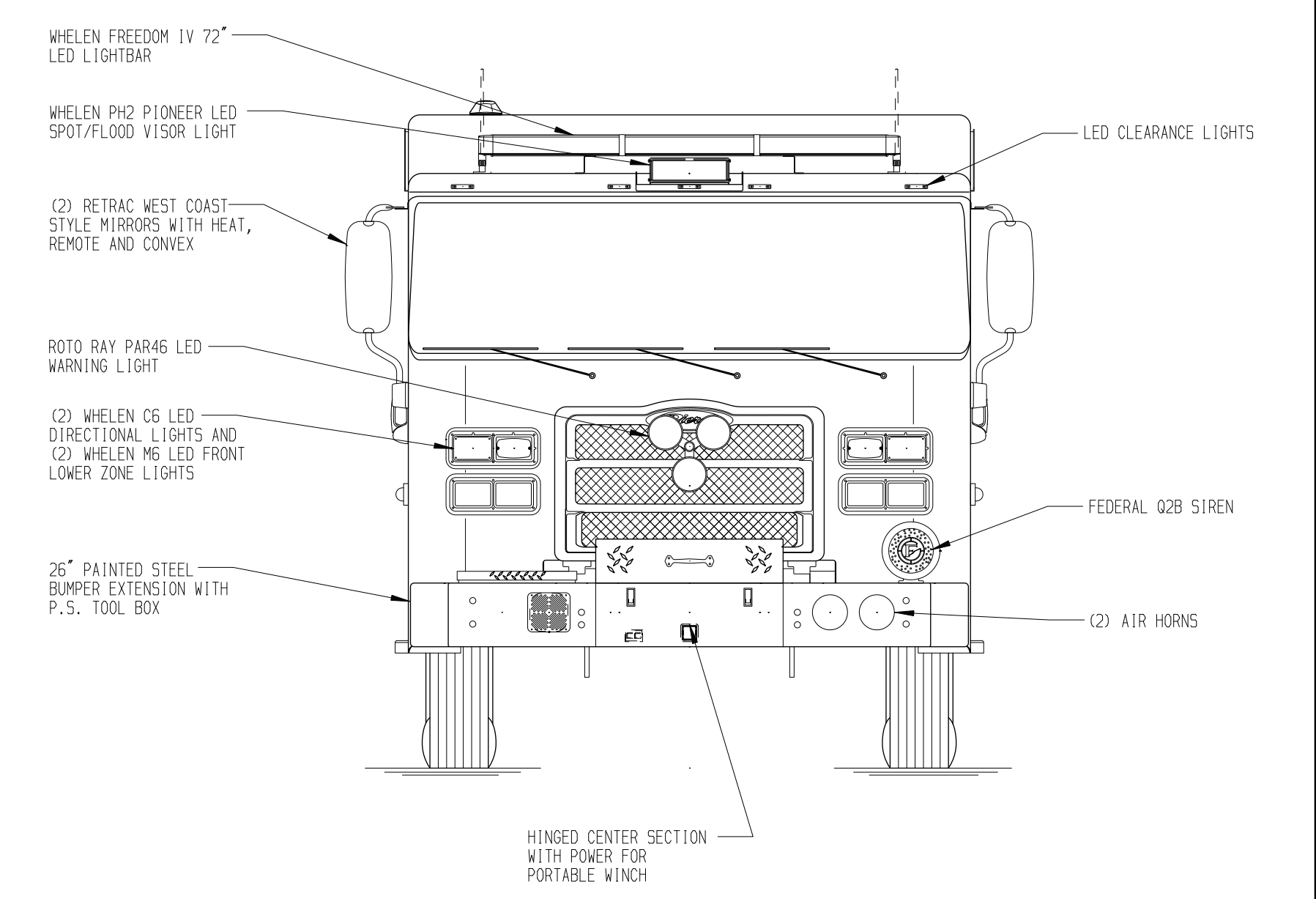
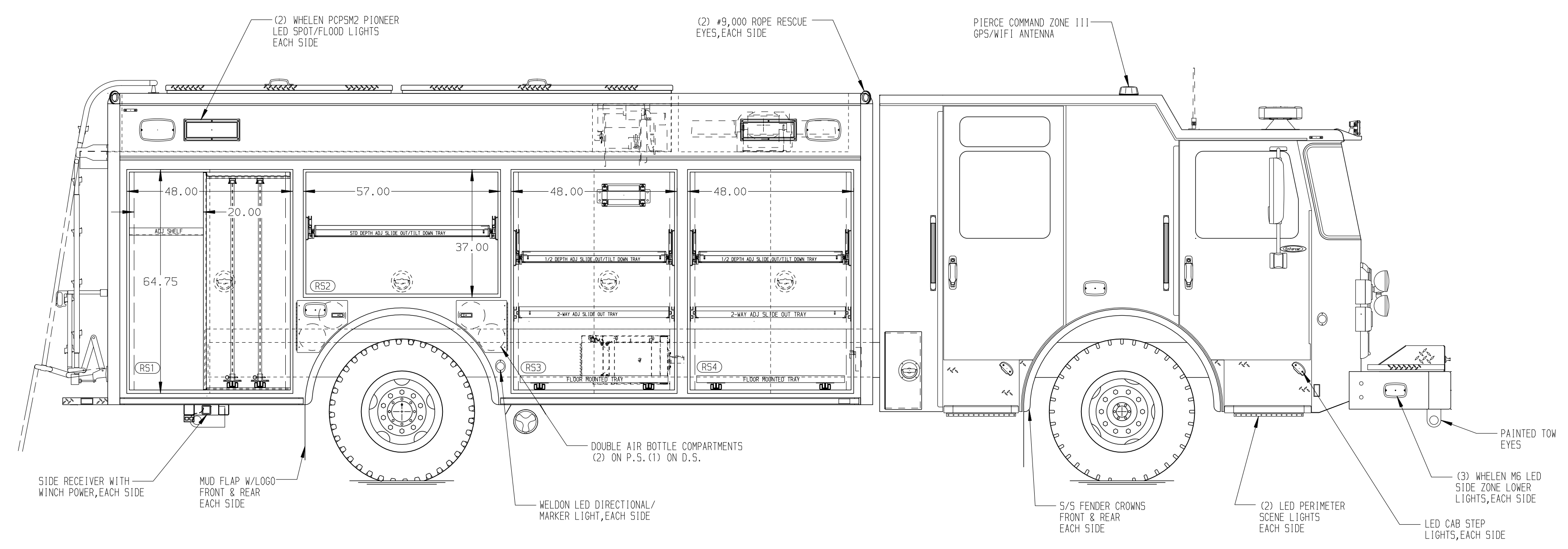
- (1) STD DEPTH ADJ SLIDE OUT/TILT TRAY

COMPARTMENT RS3 CONTAINS:

- (1) 2-WAY ADJ SLIDE OUT TRAY
- (1) 1/2 DEPTH ADJ SLIDE OUT/TILT TRAY
- (1) FLOOR MOUNTED TRAY
- (1) ELECTRIC CORD REEL WITH 200' OF 10/3 YELLOW CORD

COMPARTMENT RS4 CONTAINS:

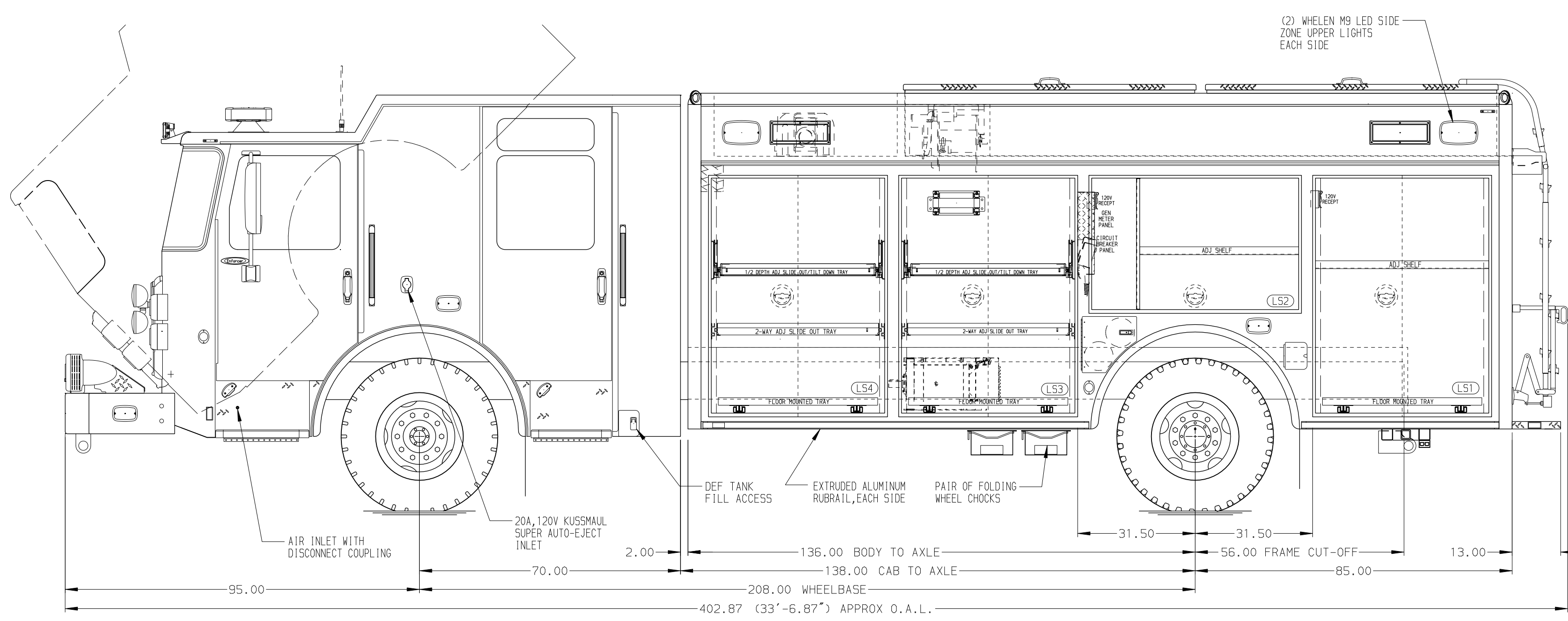
- (1) CAB LIFT CONTROLLER
- (1) 2-WAY ADJ SLIDE OUT TRAY
- (1) 1/2 DEPTH ADJ SLIDE OUT/TILT TRAY
- (1) FLOOR MOUNTED TRAY



REAR COMPARTMENT CONTAINS THE FOLLOWING:

COMPARTMENT B1 CONTAINS:

- (1) RACK FOR STOKES BASKET
- (1) ADDITIONAL STORAGE RACK
- (1) FLOOR MOUNTED TRAY
- (1) 110" DP ADJ SLIDE OUT TRAY



LEFT SIDE COMPARTMENTS CONTAIN THE FOLLOWING:

COMPARTMENT LS1 CONTAINS:

- (1) FLOOR MOUNTED TRAY
- (1) STD DEPTH ADJ SHELF
- (1) 15/20A, 120V DUPLEX RECEPTACLE

COMPARTMENT LS2 CONTAINS:

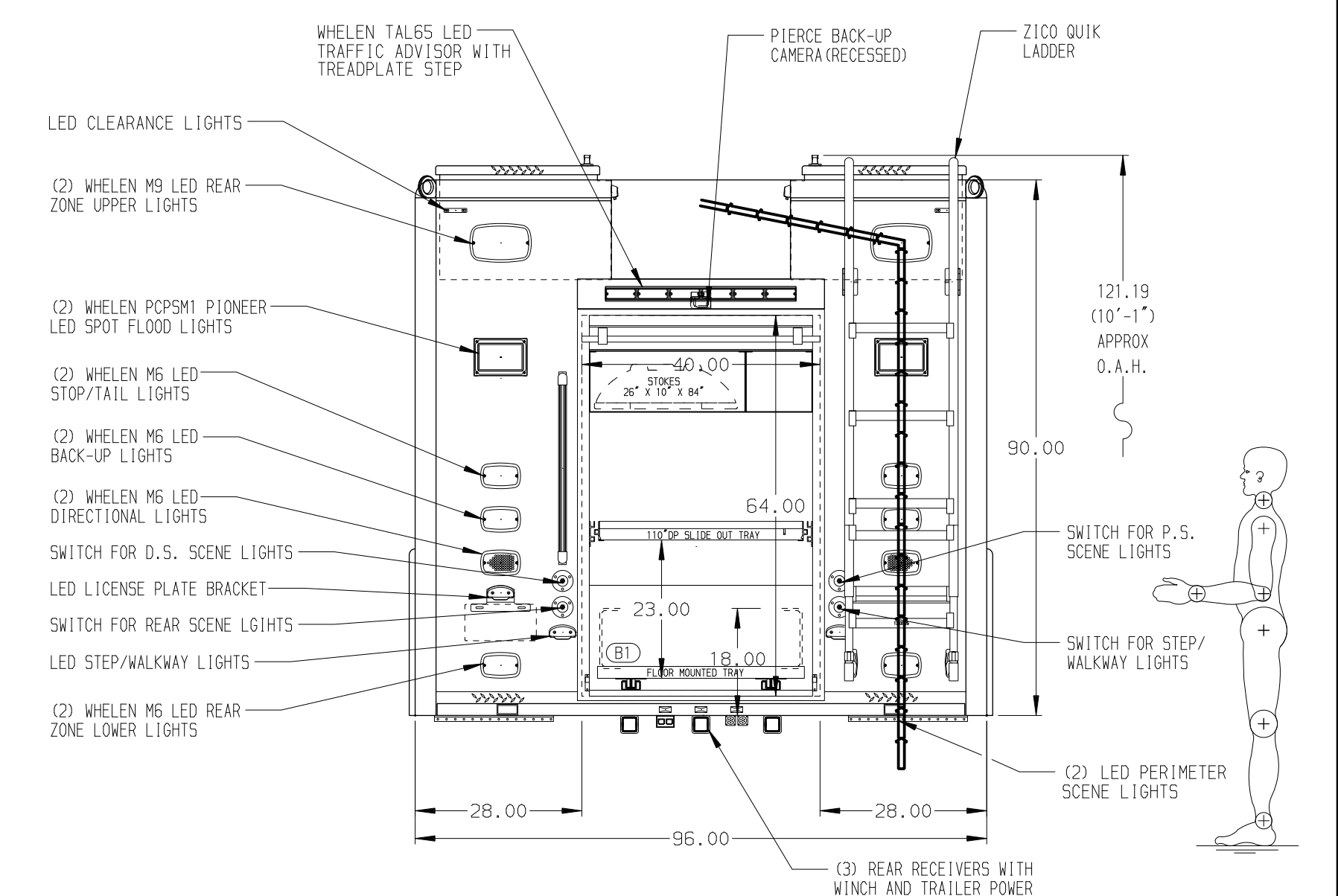
- (1) STD DEPTH ADJ SHELF
- (1) VERTICAL COMPARTMENT DIVIDER
- (1) CIRCUIT BREAKER PANEL
- (1) GENERATOR METER PANEL
- (1) NIGHT SCAN CONTROLLER
- (1) 15/20A, 120V DUPLEX RECEPTACLE

COMPARTMENT LS3 CONTAINS:

- (1) 2-WAY ADJ SLIDE OUT TRAY
- (1) 1/2 DEPTH ADJ SLIDE OUT/TILT TRAY
- (1) FLOOR MOUNTED TRAY
- (1) ELECTRIC CORD REEL WITH 200' OF 10/3 YELLOW CORD

COMPARTMENT LS4 CONTAINS:

- (1) 107A 75 AMP BATTERY CHARGER
- (1) 2-WAY ADJ SLIDE OUT TRAY
- (1) 1/2 DEPTH ADJ SLIDE OUT/TILT TRAY
- (1) FLOOR MOUNTED TRAY



NOTE:
DIMENSIONS SHOWN ARE APPROXIMATE AND ARE SUBJECT TO MINOR DEVIATIONS AS MAY OCCUR OR BE NECESSARY IN CONSTRUCTION. MINOR DETAILS NOT SHOWN.

- NOTES:**
- ONAN 25KW SINGLE PHASE PTO DRIVEN GENERATOR WITH SPLASH GAURD LOCATED BETWEEN FRAME RAILS
 - #9,000 WARN PORTABLE RECEIVER STYLE WINCH
 - POLISHED S/5 SCUFFPLATES LOCATED ON CAB AND CREW CAB DOOR JAMES
 - FLOOR IN CAB AND CREW CAB TO BE PADDED RUBBER
 - BATTERY CHARGE INDICATOR LOCATED ON DRIVER'S SEAT RISER
 - PIERCE LED STRIP LIGHTS IN ALL BODY AND HATCH COMPARTMENTS

NOTE:
LAP DOORS HAVE BEEN SHOWN IN HIDDEN LINES TO CLEARLY IDENTIFY THE EQUIPMENT IN EACH COMPARTMENT. DASHED LINES ON SIDES ARE DOORS IN OPEN POSITION

CLEAR DOOR WIDTH KEY		CHASSIS DATA	TITLE
AMDR ROLL UP DOORS:	-2 1/4"	06JAN22	HEAVY DUTY RESCUE NON-WALKIN
CORTITE ROLL UP DOORS:	-2 1/2"	DHE CDK	WEBER COUNTY BID #753
PIERCE DOUBLE LAP DOORS:	-4 1/4"	02NOV21	
PIERCE LIFT-UP LAP DOORS:	-1 1/2"	DHE AZU	
(EX: 60" F-F - 2 1/4" = 57 3/4" CLEAR) (F-F) = FRAME TO FRAME		REV	DWG NO.
		DATE	36775AD
		BY	
		CH	

		JOB NO.	36775
		SCALE	DATE
DRAWN BY DHE		CHECKED BY	040CT21
FOR WEBER COUNTY BID #753		DATE	080CT21
MODEL EN7010		SHEET SIZE	SHEET NO.
DWG NO.			1 OF 1