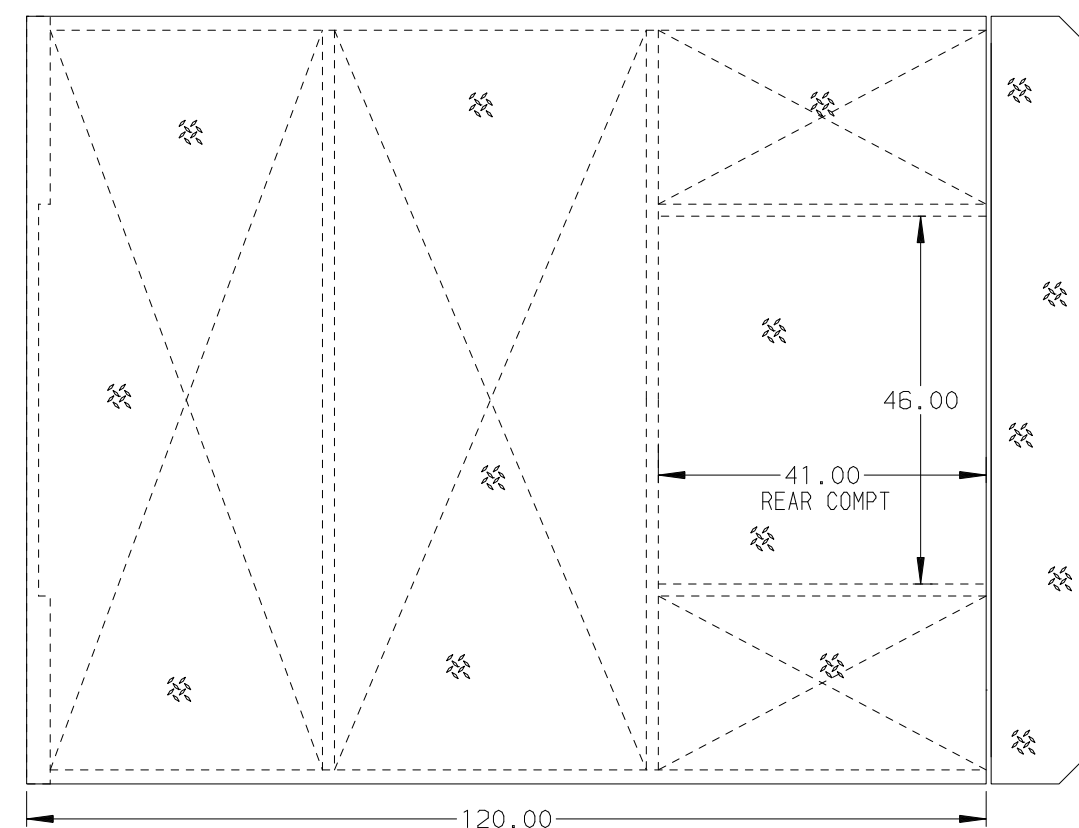
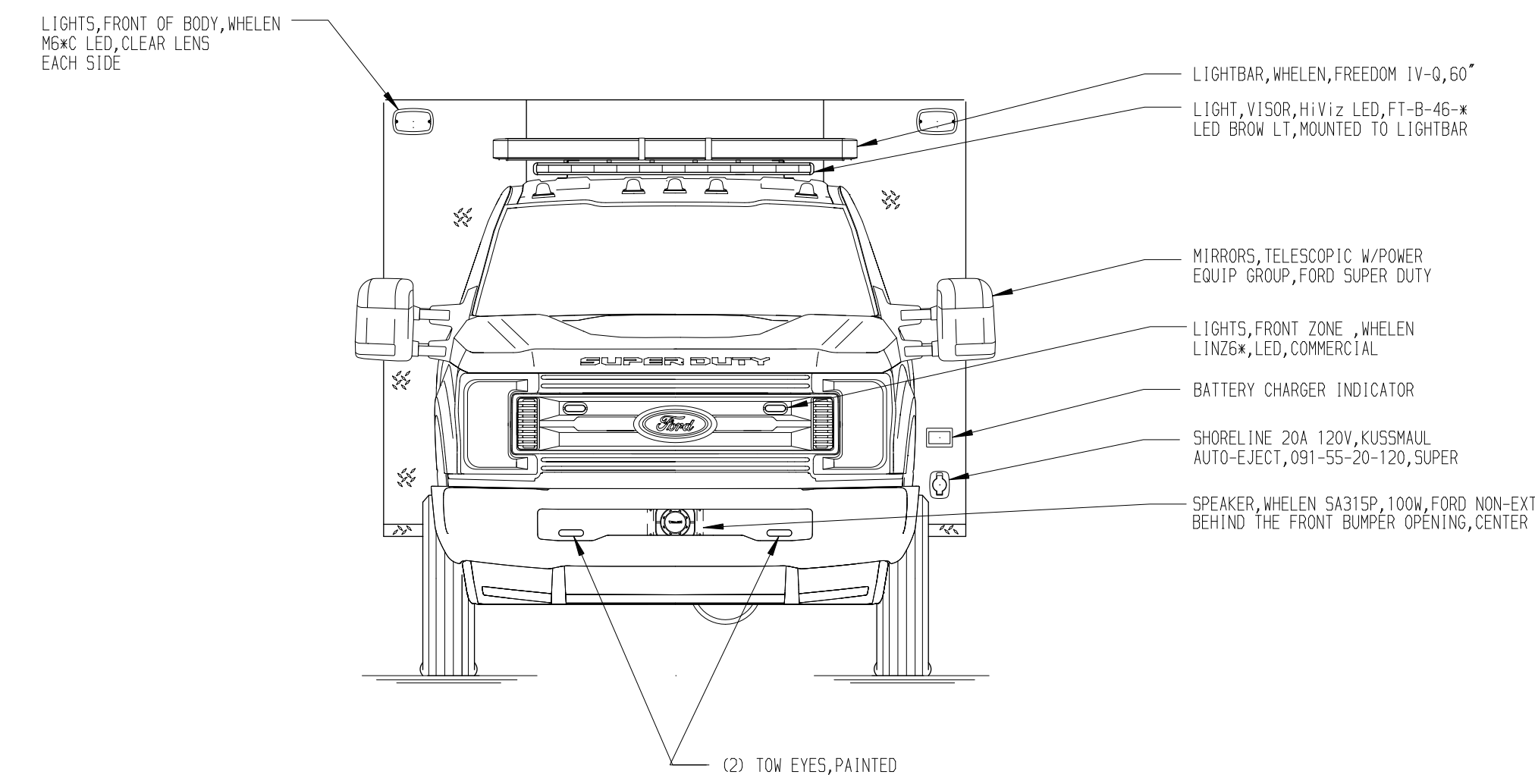
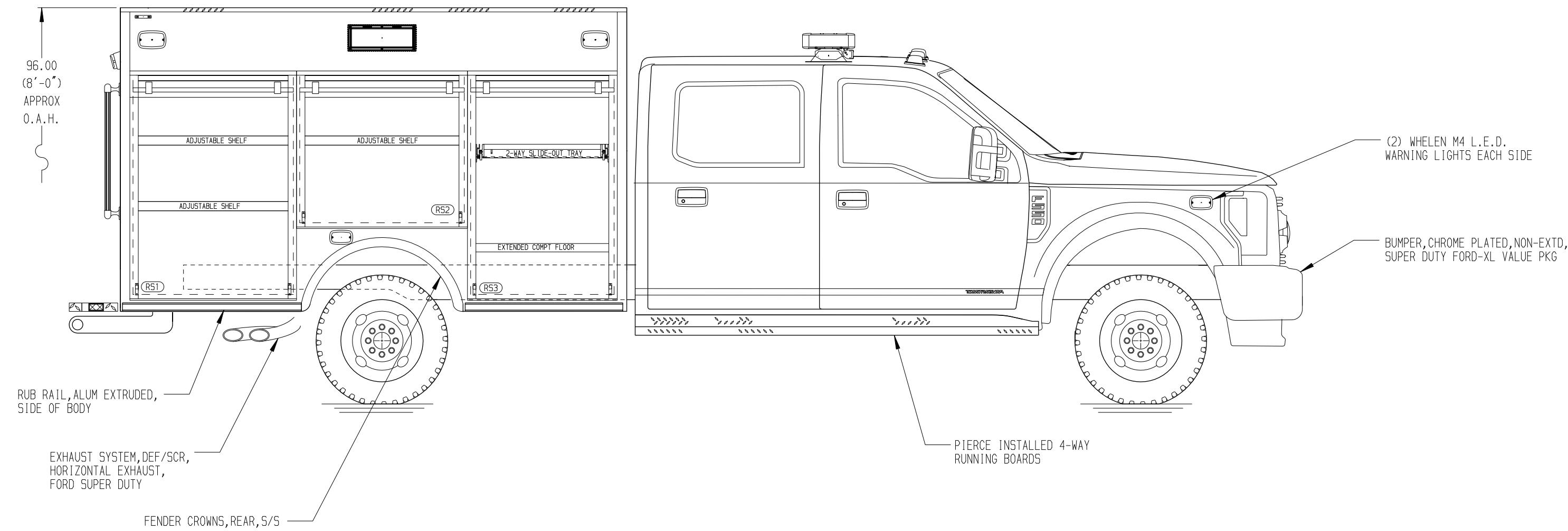


RIGHT SIDE COMPARTMENTS CONTAIN THE FOLLOWING:

COMPARTMENT R51 CONTAINS:  
 - (2) SHELF, ADJUSTABLE, 500LB CAP. STD DEPTH COMPT

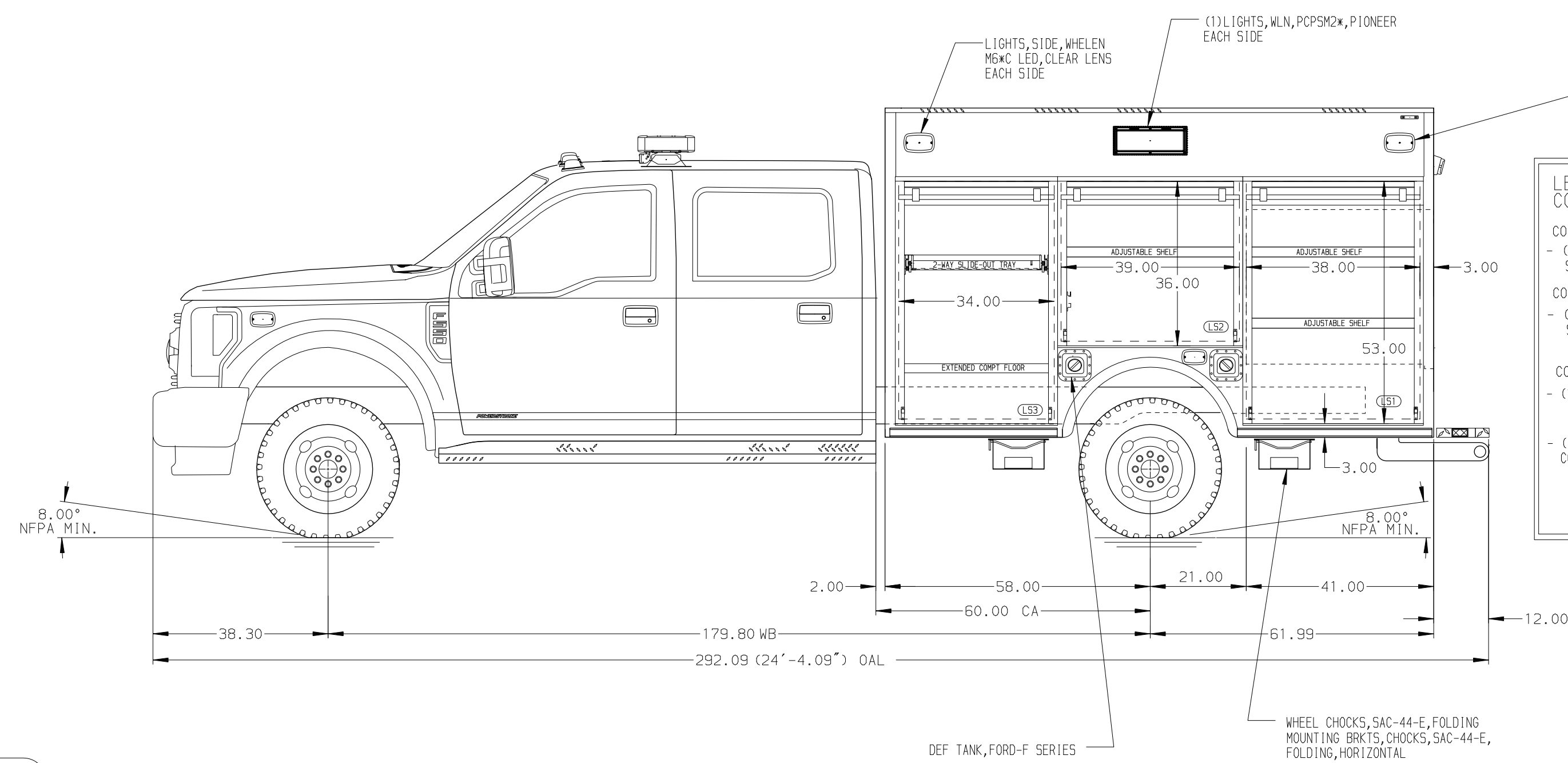
COMPARTMENT R52 CONTAINS:  
 - (1) SHELF, ADJUSTABLE, 500LB CAP. STD DEPTH COMPT

COMPARTMENT R53 CONTAINS:  
 - (1) EXTENDED COMPARTMENT FLOOR BOLT IN STYLE  
 - (1) TRAY, SLIDE OUT, TWO WAY, TRANSVERSE COMPT, ADJUSTABLE HEIGHT, 500+ CAPACITY



REAR COMPARTMENT B1 CONTAINS THE FOLLOWING:

COMPARTMENT B1 CONTAINS:  
 - (1) TRAY SLIDE OUT, STD DEPTH, FLOOR MOUNTED, 500LB CAPACITY

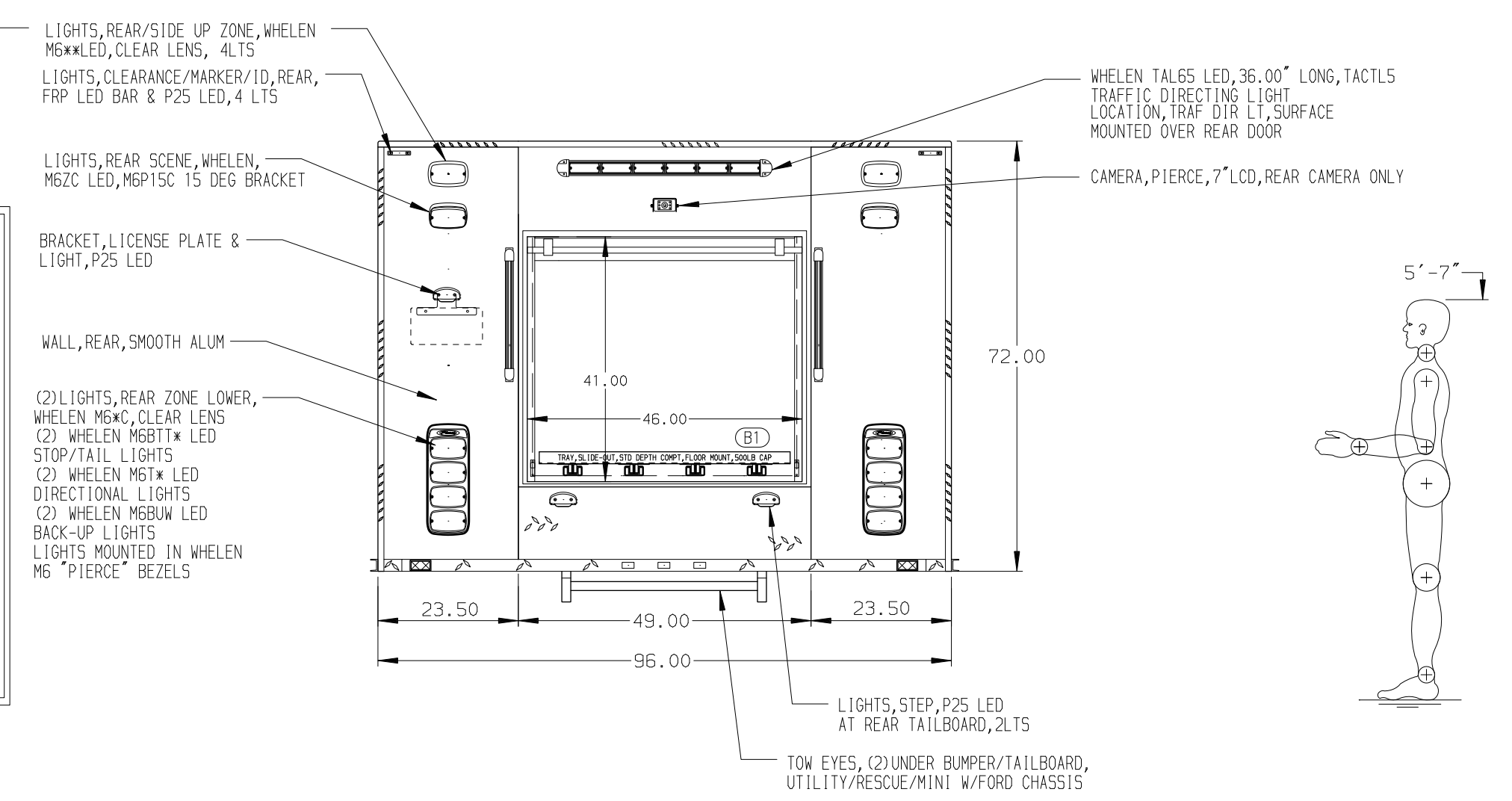


LEFT SIDE COMPARTMENTS CONTAIN THE FOLLOWING:

COMPARTMENT L51 CONTAINS:  
 - (2) SHELF, ADJUSTABLE, 500LB CAP. STD DEPTH COMPT

COMPARTMENT L52 CONTAINS:  
 - (1) SHELF, ADJUSTABLE, 500LB CAP. STD DEPTH COMPT

COMPARTMENT L53 CONTAINS:  
 - (1) EXTENDED COMPARTMENT FLOOR BOLT IN STYLE  
 - (1) TRAY, SLIDE OUT, TWO WAY, TRANSVERSE COMPT, ADJUSTABLE HEIGHT, 500+ CAPACITY



ALUMINUM BODY

NOTE  
 DIMENSIONS SHOWN ARE APPROXIMATE AND ARE SUBJECT TO MINOR DEVIATIONS AS MAY OCCUR OR BE NECESSARY IN CONSTRUCTION. MINOR DETAILS NOT SHOWN.

		JOB NO.	36794
		DATE	SCALE 1:24
TITLE	10' RESCUE, NON-WALK IN	10AUG21	DRAWN BY* JLA
FOR	PIERCE FIELD UNIT (ORIGINAL) BRADENTON, FLORIDA	12AUG21	CHK'D BY RWI
CHASSIS DATA	FORD	SHEET NO.	1 OF 1
CHASSIS FORD	MODEL F-550 4X4	SHEET SIZE	D
REV.	30AUG21	JLA	RWI
DATE	BY	CHK'D	
DRWG. NO.	36794AD		