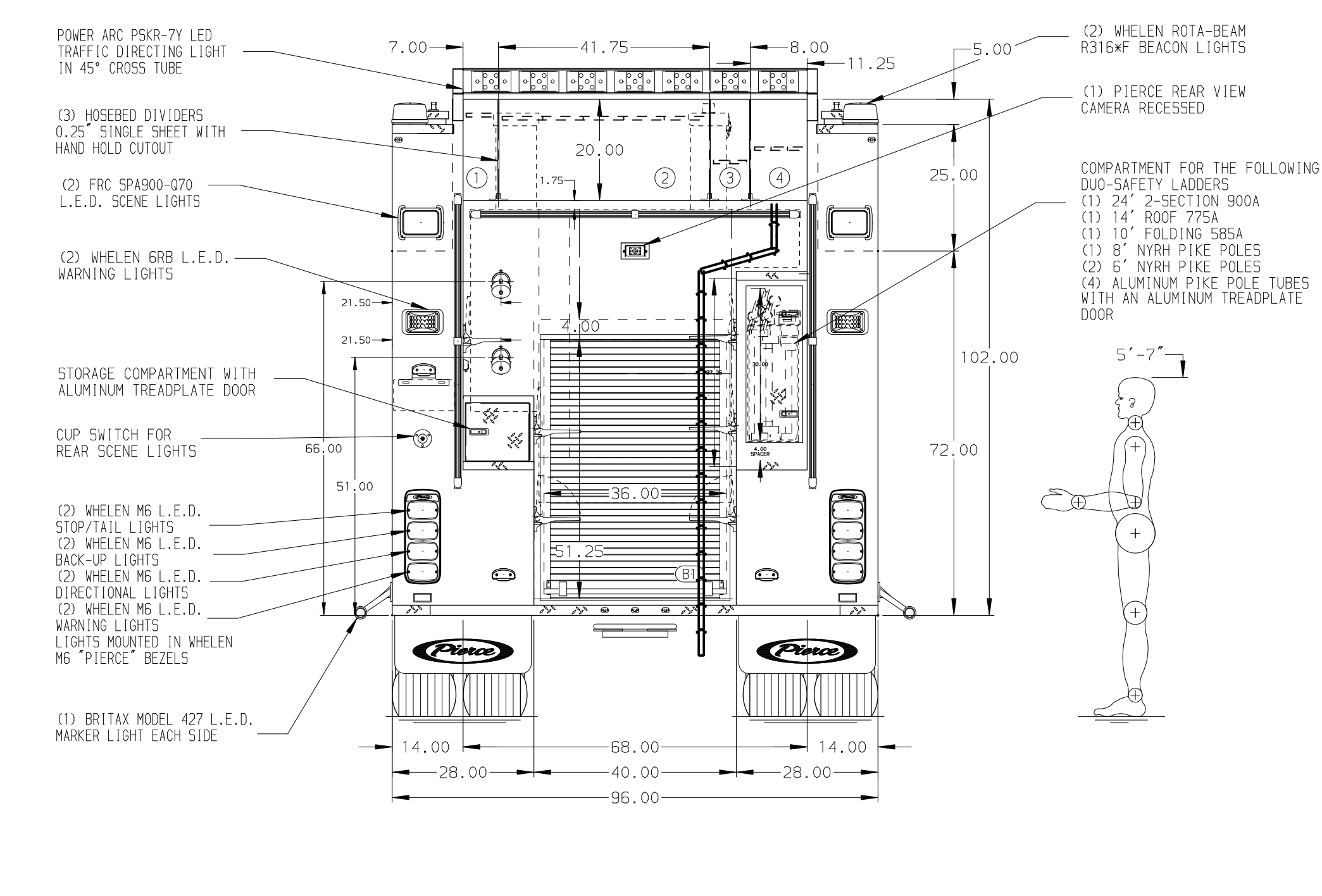


- HOSEBED CAPACITIES
- ① - 200' OF 3.00" D.J. POLY HOSE
 - ② - 1000' OF 5.00" L.D.H. HOSE
 - ③ - 200' OF 1.75" D.J. POLY HOSE
 - ④ - 400' OF 1.75" D.J. POLY HOSE



ALUMINUM BODY

SIDE ROLL AND FRONTAL IMPACT PROTECTION

NOTE
DIMENSIONS SHOWN ARE APPROXIMATE AND ARE SUBJECT TO MINOR DEVIATIONS AS MAY OCCUR OR BE NECESSARY IN CONSTRUCTION. MINOR DETAILS NOT SHOWN.

1. AIR INLET/OUTLET WITH DISCONNECT FITTING LOCATED ON DRIVER'S PUMP PANEL
2. BATTERY CHARGER/AIR COMPRESSOR LOCATED IN REAR FACING SEAT RISERS
3. HERCULES 200 CFM COMPRESSED AIR FOAM SYSTEM
4. TWO 4" FRU NYRH RH-4 D-HANDLE PIKE POLES SHIPPED LOOSE

CUSTOMER APPROVAL			
APPROVED BY:			
DATE:			
REV	DATE	BY	CH

		JOB NO.	36805
Pierce MANUFACTURING INC.		SCALE	1:24
TITLE 1500-D-1050P, 750G WATER W/ 300G FOAM, 152" FOLDR (2) SPEEDLAYS, DELUGE, (2) BOOSTER REELS, CAFS		DATE	
MAKE PIERCE		DRAWN BY	JJB
MODEL VELOCITY		CHECKED BY	KBO
FOR SAN ANTONIO FIRE DEPARTMENT SAN ANTONIO, TEXAS		SHEET SIZE	D
DWG NO.		SHEET NO.	1 OF 2
36805AD-SH1			