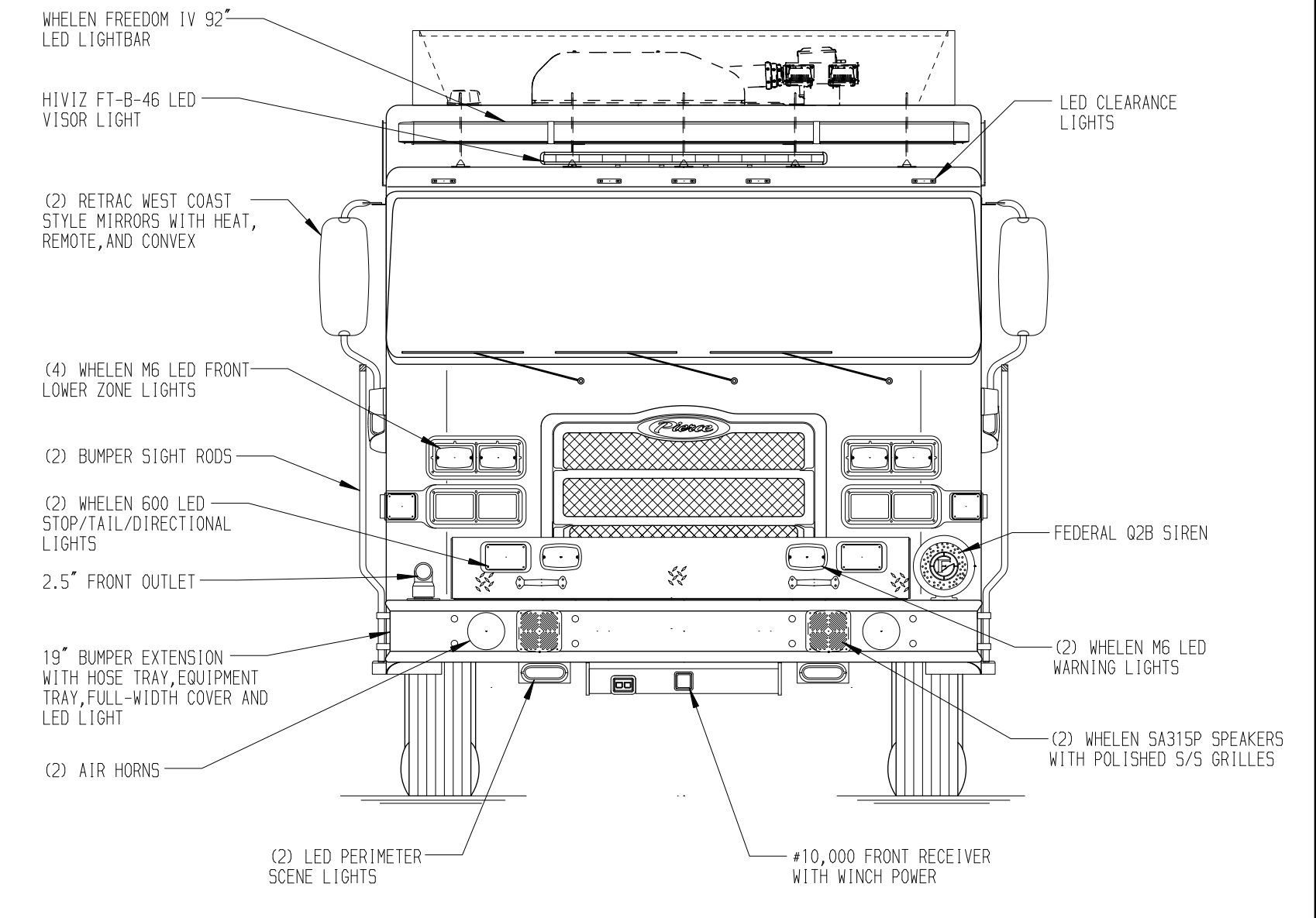
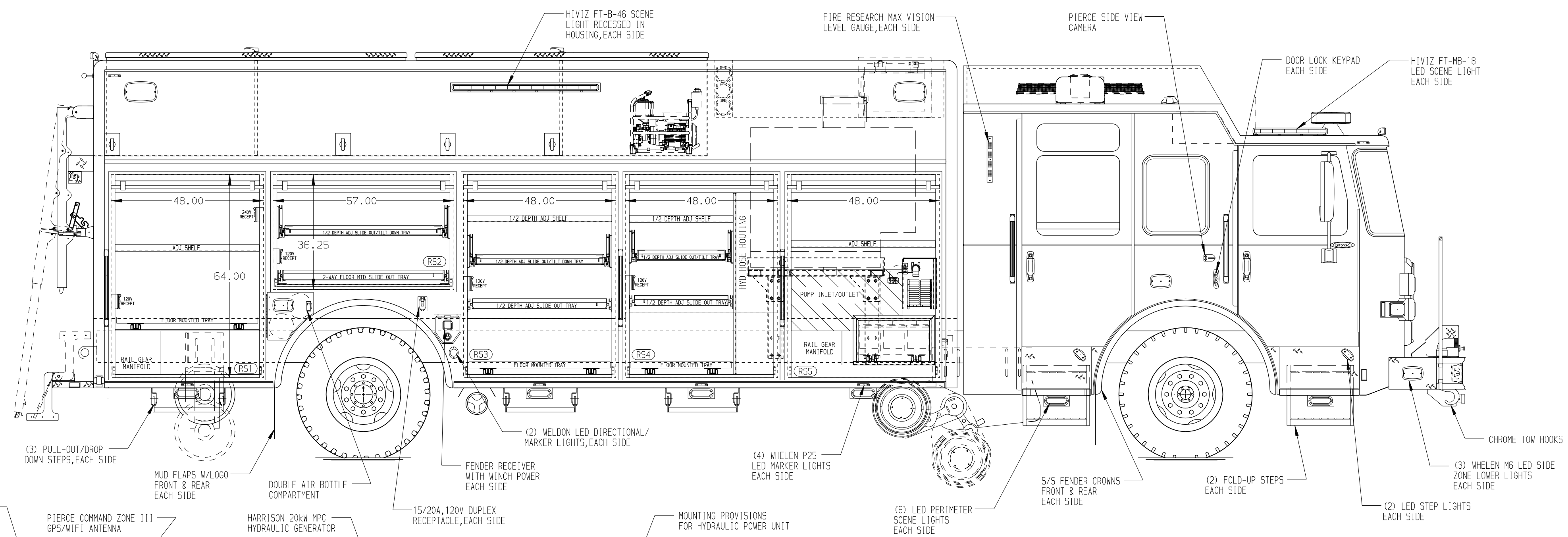
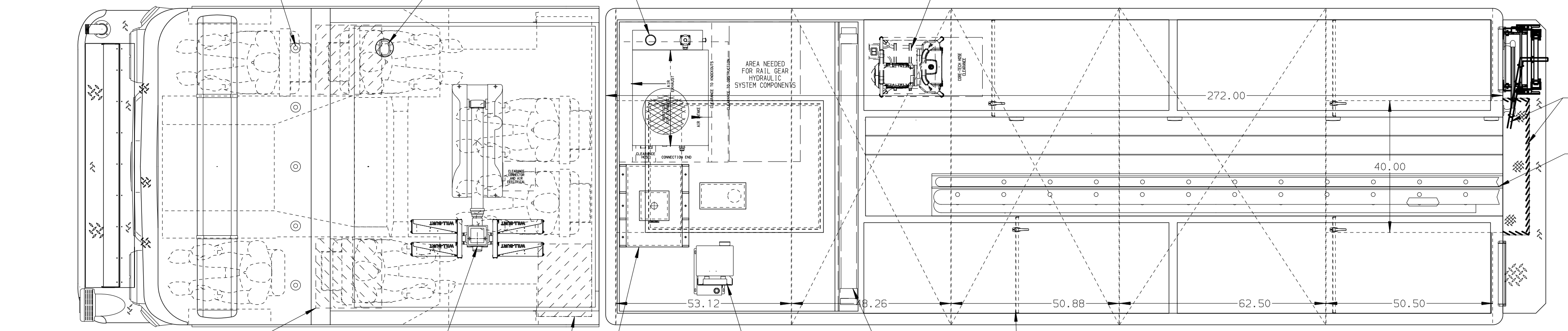


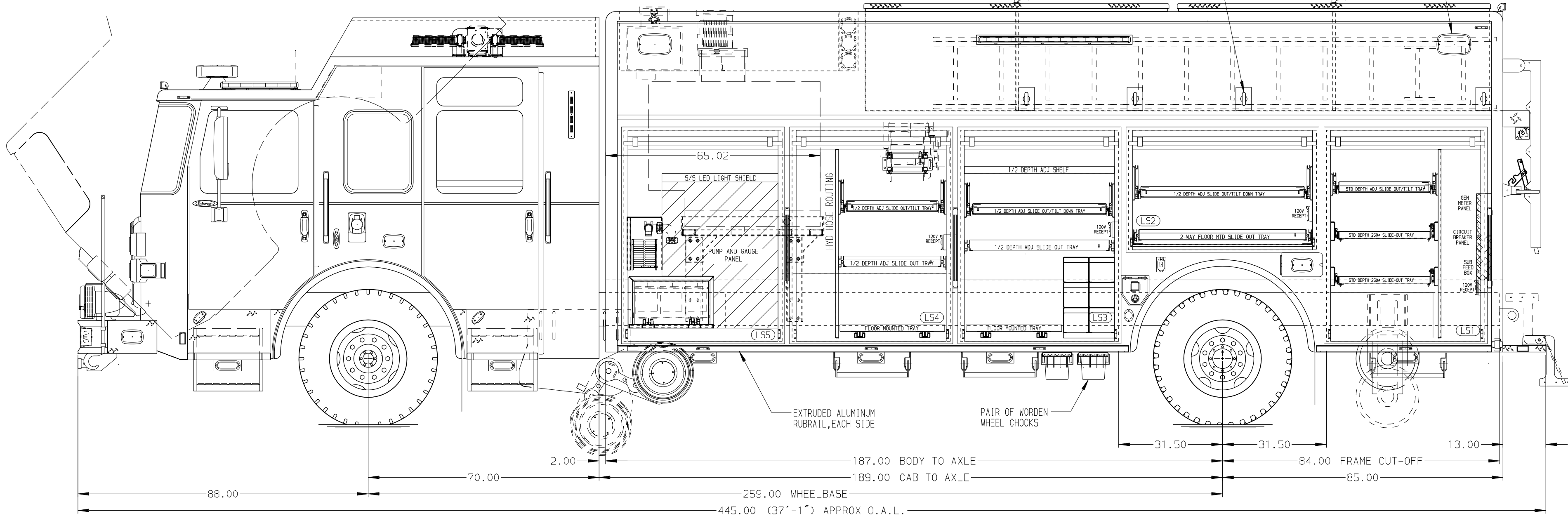
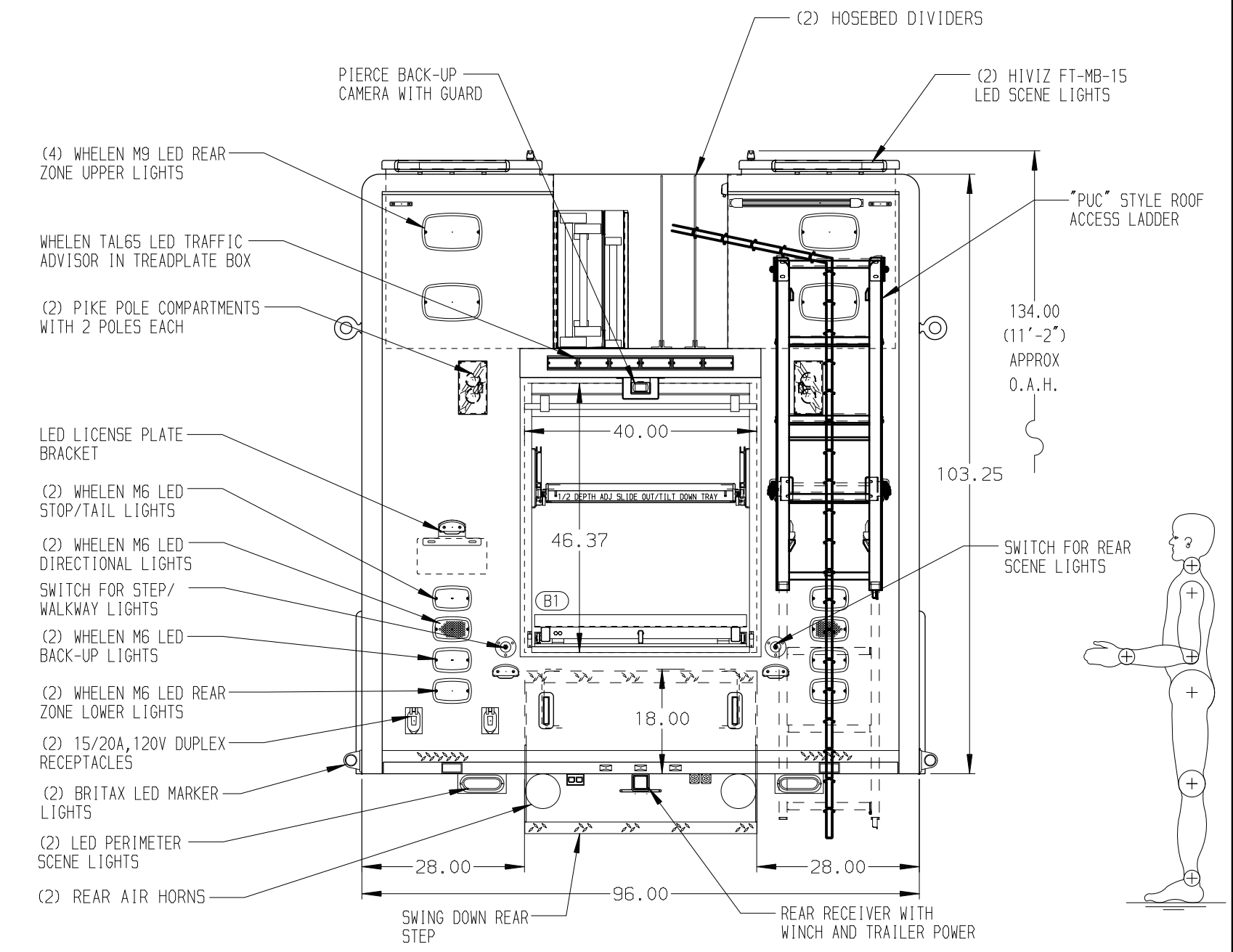
- RIGHT SIDE COMPARTMENTS CONTAIN THE FOLLOWING:**
- COMPARTMENT R51 CONTAINS:
    - (1) SPECIAL DEPTH ADJ SHELF
    - (1) 36" SHELF PLATE
    - (1) STD DEPTH FLOOR MTD TRAY
    - (1) 15A, 120V DUPLEX RECEPTACLE
    - (1) 20A, 240V T.L. RECEPTACLE
    - RECESS FOR HYDRAULIC HOSE ENDS
  - COMPARTMENT R52 CONTAINS:
    - (1) 1/2 DEPTH ADJ SLIDE OUT/TILT TRAY
    - (1) 2-WAY FLOOR MTD SLIDE OUT TRAY
    - (1) 15A, 120V DUPLEX RECEPTACLE
  - COMPARTMENT R53 CONTAINS:
    - (1) 1/2 DEPTH ADJ SLIDE OUT TRAY
    - (1) 1/2 DEPTH ADJ SHELF
    - (1) 1/2 DEPTH ADJ SLIDE OUT/TILT TRAY
    - (1) STD DEPTH FLOOR MTD TRAY
    - (1) 15A, 120V DUPLEX RECEPTACLE
  - COMPARTMENT R54 CONTAINS:
    - (1) 1/2 DEPTH ADJ SLIDE OUT TRAY
    - (1) 1/2 DEPTH ADJ SHELF
    - (1) 1/2 DEPTH ADJ SLIDE OUT/TILT TRAY
    - (1) STD DEPTH FLOOR MTD TRAY
    - (1) 15A, 120V DUPLEX RECEPTACLE
    - (1) VERTICAL COMPARTMENT DIVIDER
  - COMPARTMENT R55 CONTAINS:
    - (1) CAB LIFT CONTROLLER
    - (1) STD DEPTH ADJ SHELF
    - (1) SPEEDLAY WITH 150' OF 1.75" HOSE
    - CHASSIS BATTERIES



- REAR COMPARTMENT CONTAINS THE FOLLOWING:**
- COMPARTMENT B1 CONTAINS:
    - (1) 1/2 DEPTH ADJ SLIDE OUT/TILT TRAY
    - (1) 96" DP FLOOR MTD SLIDEMASTER TRAY



- LEFT SIDE COMPARTMENTS CONTAIN THE FOLLOWING:**
- COMPARTMENT L51 CONTAINS:
    - (2) STD DEPTH ADJ SLIDE OUT TRAYS
    - (1) STD DEPTH ADJ SLIDE OUT/TILT TRAY
    - (1) CIRCUIT BREAKER PANEL
    - (1) GENERATOR METER PANEL
    - (1) VERTICAL COMPARTMENT DIVIDER
    - (1) SUB FEED BOX
    - (1) 15A, 120V DUPLEX RECEPTACLE
  - COMPARTMENT L52 CONTAINS:
    - (1) 1/2 DEPTH ADJ SLIDE OUT/TILT TRAY
    - (1) 2-WAY FLOOR MTD SLIDE OUT TRAY
    - (1) 15A, 120V DUPLEX RECEPTACLE
  - COMPARTMENT L53 CONTAINS:
    - (1) 1/2 DEPTH ADJ SLIDE OUT TRAY
    - (1) 1/2 DEPTH ADJ SHELF
    - (1) 1/2 DEPTH ADJ SLIDE OUT/TILT TRAY
    - (1) STD DEPTH FLOOR MTD TRAY
    - (1) RACK FOR 6 SCBA BOTTLES
    - (1) RACK FOR 6 SCBA BOTTLES
    - (1) 15A, 120V DUPLEX RECEPTACLE
  - COMPARTMENT L54 CONTAINS:
    - (1) 1/2 DEPTH ADJ SLIDE OUT TRAY
    - (1) 1/2 DEPTH ADJ SLIDE OUT/TILT TRAY
    - (1) STD DEPTH FLOOR MTD TRAY
    - (1) ELECTRIC CORD REEL WITH 200' OF 10/3 YELLOW CORD
    - (1) 15A, 120V DUPLEX RECEPTACLE
    - (1) VERTICAL COMPARTMENT DIVIDER
  - COMPARTMENT L55 CONTAINS:
    - (1) SPEEDLAY WITH 150' OF 1.75" HOSE
    - CHASSIS BATTERIES



**CUSTOMER APPROVAL**

APPROVED BY:	
DATE:	
CHASSIS DATA	
MAKE	PIERCE
MODEL	EN7010
REV	DATE
	BY
	CH

**Pierce MANUFACTURING INC.**

JOB NO. 36807

SCALE 1:24 DATE

DRAWN BY DHE 02NOV21

CHECKED BY CDK 05NOV21

SHEET SIZE SHEET NO. D 1 OF 1

TITLE HEAVY DUTY RESCUE NON-WALKIN

FOR NEW JERSEY TRANSIT BID #725

ERIC TREVENA

DWG NO. 36807AD

**NOTE**  
DIMENSIONS SHOWN ARE APPROXIMATE AND ARE SUBJECT TO MINOR DEVIATIONS AS MAY OCCUR OR BE NECESSARY IN CONSTRUCTION. MINOR DETAILS NOT SHOWN.

- NOTES:**
- WARN #10,000 PORTABLE RECEIVER STYLE WINCH
  - POLISHED S/S SCUFFPLATES ON CAB AND CREW CAB DOOR JAMBS
  - FLOOR IN CAB AND CREW CAB TO BE PADDED RUBBER
  - (4) STREAMLIGHT HANDLIGHTS ON REAR OF ENGINE TUNNEL
  - KUSSMAUL 12 HO BATTERY CHARGER LOCATED BEHIND THE DRIVER'S SEAT
  - BATTERY CHARGE INDICATOR LOCATED ON DRIVER'S SEAT RISER
  - FRONT AND REAR RAILWAY GEAR
  - 5/5 1" SHARPED GUARDS ON ALL BODY ROLL-UP DOORS
  - PULL STRAPS ON ALL BODY ROLL UP DOORS
  - PIERCE LED LIGHT STRIPS IN ALL BODY AND HATCH COMPARTMENTS
  - HALE AP50 500 GPM WATER PUMP
  - WINDOW PROTECTOR BARS ON CREW CAB DOORS
  - TURTLE TILE ON ALL SHELVES AND TRAYS ALONG WITH THE FLOORS IN L51 AND R51