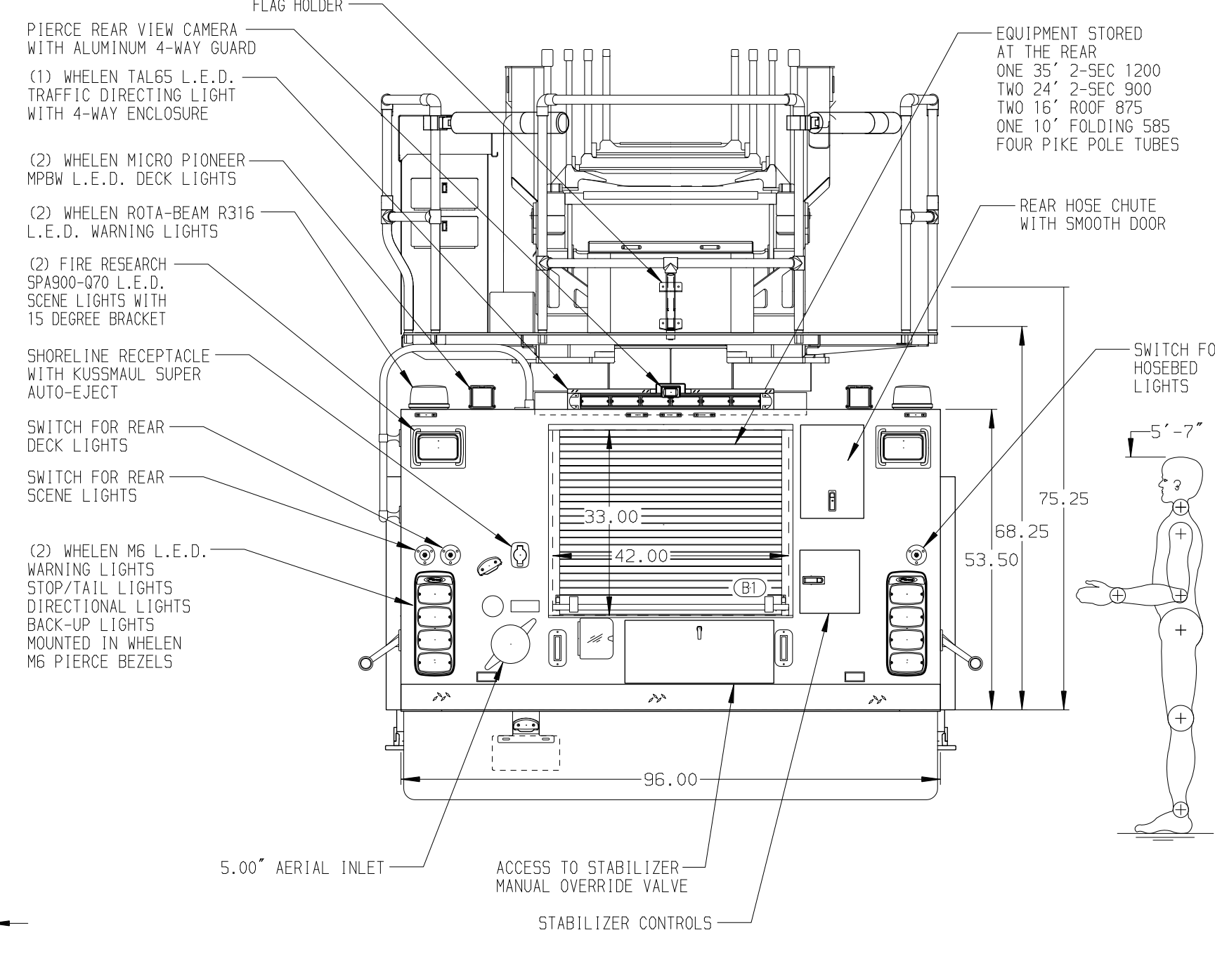
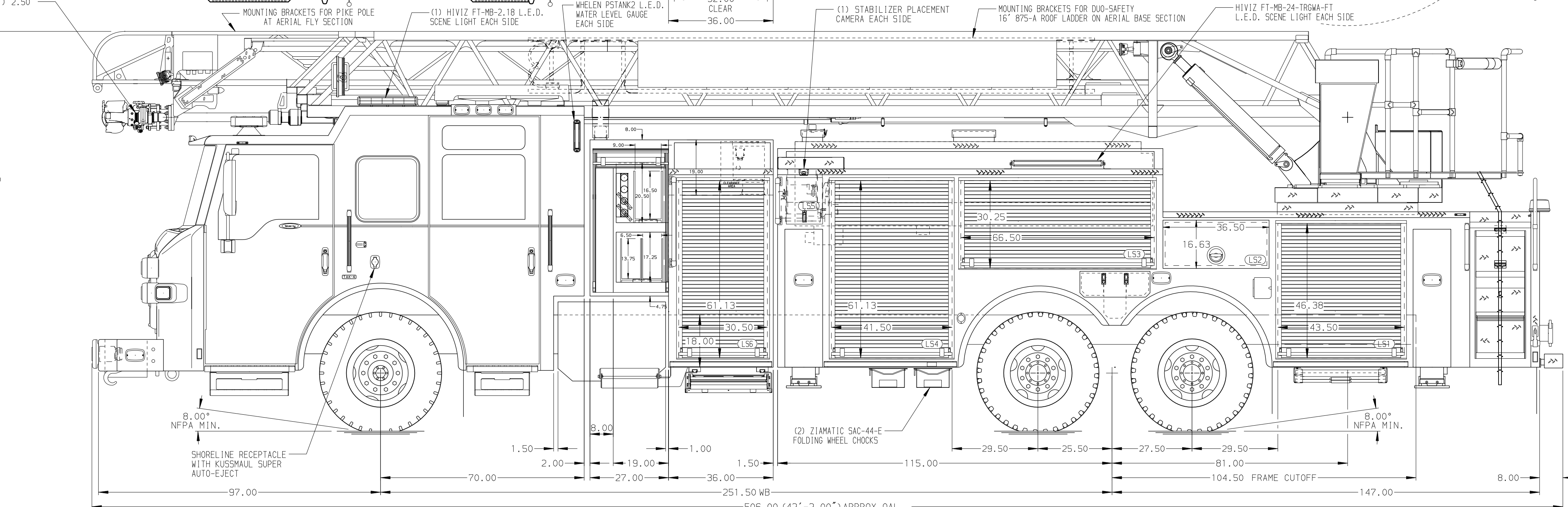


BODY	WATER TANK
107' ASL Tandem Axle Aluminum Body PUC	480 Gallon Notched Poly Water Tank
COMPT, LEFT SIDE FRONT	Foam System
FH/FD RollUp Forward w/o Chute	Husky 3 Single Agent Foam System
COMPT, LEFT SIDE REAR	Foam Cell
FH/FD RollUp and Liftup Rearward	20 Gallon Foam Cell, Reduced Water, PUC
COMPT, RIGHT SIDE FRONT	
Full Height RollUp Forward	
Full Depth Outrigger Compartment	
COMPT, RIGHT SIDE REAR	
Full Height RollUp and Liftup Rearward	



MAXIMUM OVERALL HEIGHT = 140.00\"/>

CHASSIS	CAB	AXLE, FRONT, CUSTOM	TRANSMISSION	PUMPHOUSE	CROSSLAYS, 1.50"	SPEEDLAYS	SAFETY
Velocity Chassis (Big Block)	7000 Velocity FR Cab, PUC	24,000 Lb TAK-4 Axle	Allison 5th Gen, 4500 EVS P	Control Zone, PAL/PAP PUC	(2) 1.50", Poly Trays, 200'	Speedlays Not Required	Side Roll and
ENGINE	BUMPER	AXLE, REAR		PUMP	CROSSLAYS, 2.50"	GENERATOR	Frontal Impact Protection
510 HP PACCAR MX13 Engine	19' Extended Pointed Steel	48,000 Lb Meritor Axle		1500 GPM Pierce PUC	(1) 2.50", Poly Tray, 200'	Harrison 8kW MCR Hydraulic	

**NOTE**  
DIMENSIONS SHOWN ARE APPROXIMATE AND ARE SUBJECT TO MINOR DEVIATIONS AS MAY OCCUR OR BE NECESSARY IN CONSTRUCTION. MINOR DETAILS NOT SHOWN.

- FRONT SUSPENSION WITH 3" JOUCE
- PACCAR DEF TANK MOUNTED UNDER CAB ON THE DRIVER'S SIDE
- ONE 1.50" OUTLET WITH 2.00" PIPING AND SWIVEL LOCATED IN CENTER BUMPER TRAY
- AIR INLET WITH DISCONNECT COUPLING IN THE DRIVER SIDE STEPMILL
- BATTERY CHARGE LOCATED BEHIND DRIVER'S SEAT
- BATTERY CHARGE INDICATOR LOCATED NEAR DRIVER'S SEAT RISER WITH BRACKET
- L.E.D. LIGHT STRIPS LOCATED IN HOSE BED PER SHOP ORDER
- PULL STRAP ON DOOR IN COMPARTMENTS PER SHOP ORDER
- EIGHT ADJUSTABLE FULL WIDTH/DEPTH SHELVES IN COMPARTMENTS PER SHOP ORDER
- FOUR ADJUSTABLE SLIDE-OUT TRAYS IN COMPARTMENT PER SHOP ORDER

- ONE 3-DRAWER DRAWER CTECH ASSEMBLY IN COMPARTMENT PER SHOP ORDER
- TWO SWING-OUT TOOL BOARDS WITH PEGBOARD PATTERN IN COMPARTMENTS PER SHOP ORDER
- ALUMINUM PEGBOARD ON BACK WALL OF COMPARTMENT PER SHOP ORDER
- CIRCUIT BREAKER PANEL IN COMPARTMENT PER SHOP ORDER
- TWO 4-PLACE DUPLEX RECEPTACLES LOCATED IN CAB PER SHOP ORDER
- ONE 4-PLACE DUPLEX RECEPTACLE LOCATED IN COMPARTMENT PER SHOP ORDER
- 21.00" AERIAL LIMITED RETRACTION
- 120V POWER TO AERIAL TIP
- AERIAL PEDESTAL RAISED 3.00"
- LIFTING EYE ROPE RESCUE ATTACHMENT AT AERIAL TIP

- 1500 GPM HIGH FLOW WATERWAY

JOB NO.	36822
SCALE	1:24
DATE	17AUG21
DRAWN BY	TKA
CHECKED BY	CRI
SHEET SIZE	D
SHEET NO.	1 OF 1

**107' ASCENDANT AERIAL LADDER AND BODY ASSEMBLY**

FOR SHERIDAN PARK FIRE DISTRICT NO. 4

DWG NO. **36822AD**