

**PUMPER
BODY**

Long Aluminum 2nd Gen Pumper

CHASSIS

Enforcer Chassis

**CHASSIS
AXLE, FRONT, CUSTOM**

20,000 Lb Meritor Axle

AXLE, REAR

27,000 Lb Meritor Axle

ENGINE

450 HP Cummins L9 Engine

TRANSMISSION

Allison 5th Gen, 3000 EVS P

BUMPER

19" Extended Stainless Steel

CAB

7010 Enforcer Cab

BODY

WATER TANK

750 Gallon Poly Water Tank

COMPT, PUMPER, REAR

37.75" FF RoLLup Rear Compt

COMPT, PUMPER, LEFT SIDE

161" RoLLup Full Height & Depth Front & Rear

COMPT, PUMPER, RIGHT SIDE

161" RoLLup Full Height Front & Rear FDLER

**FIRE SUPPRESSION
PUMPHOUSE**

45" Control Zone Side Mount

PUMP

2000 GPM Waterous CSU

CROSSLAYS, 1.50"

(2) 1.50" Standard Capacity

CROSSLAYS, 2.50"

2.50" Crosslay Not Required

SPEEDLAYS

Speedlays Not Required

GENERATOR

Generator Not Required

Foam System

Foam System Not Required

Foam Cell

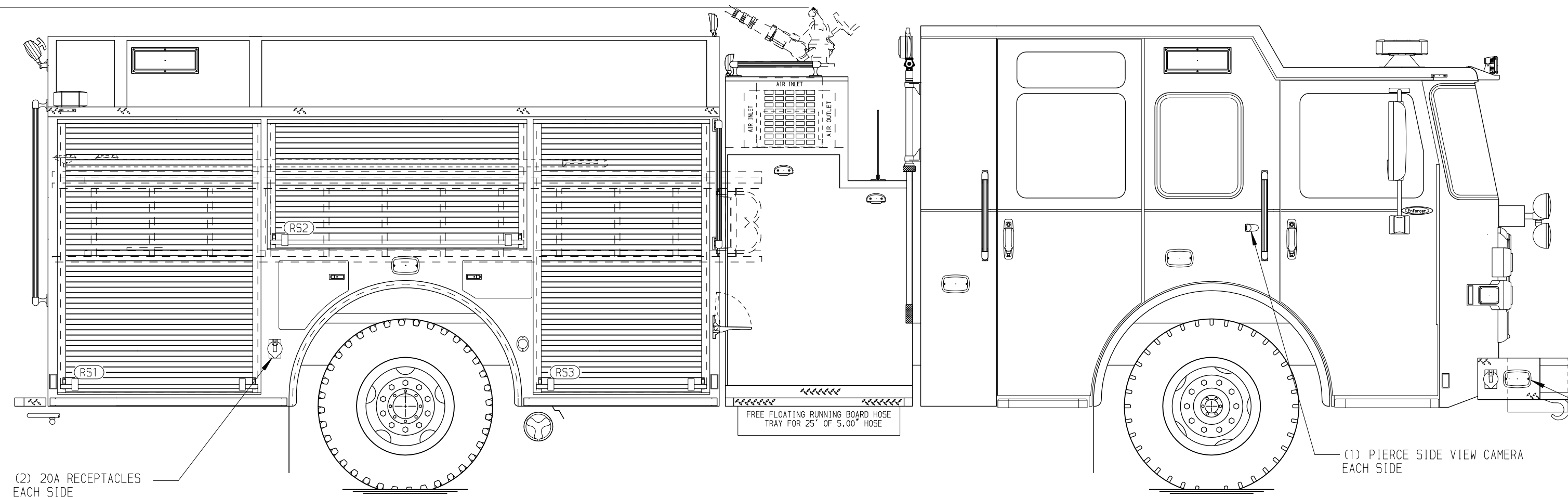
20 Gal Foam Cell Not Reduce

Side Roll and Frontal Impact Protection

NOTE
DIMENSIONS SHOWN ARE APPROXIMATE AND ARE SUBJECT TO MINOR DEVIATIONS AS MAY OCCUR OR BE NECESSARY IN CONSTRUCTION. MINOR DETAILS NOT SHOWN.

- ONE 1.50" OUTLET WITH 2.00" PIPING AND SWIVEL LOCATED ON TOP BUMPER RIGHT SIDE
- SHORELINE RECEPTACLE WITH KUSSMAUL SUPER AUTO-EJECT LOCATED ON DRIVER SIDE OF THE CAB
- AIR INLET/OUTLET WITH DISCONNECT COUPLING IN THE DRIVER SIDE STEPWELL
- BATTERY CHARGER LOCATED IN COMPARTMENT PER SHOP ORDER
- BATTERY CHARGE INDICATOR LOCATED ON THE DRIVER SIDE SEAT RISER
- SIX ADJUSTABLE SHELVES IN COMPARTMENTS PER SHOP ORDER
- TWO FLOOR MOUNTED SLIDE-OUT TRAY IN COMPARTMENT PER SHOP ORDER
- ONE TILTY SLIDE-OUT TRAY IN COMPARTMENT PER SHOP ORDER
- ONE SWING-OUT TOOLBOARD IN COMPARTMENT PER SHOP ORDER
- TWO SLIDE-OUT TOOLBOARDS IN COMPARTMENTS PER SHOP ORDER
- PEGBOARD ON BACK WALL IN COMPARTMENTS PER SHOP ORDER

119.00
(9'-11")
APPROX
O.A.H.

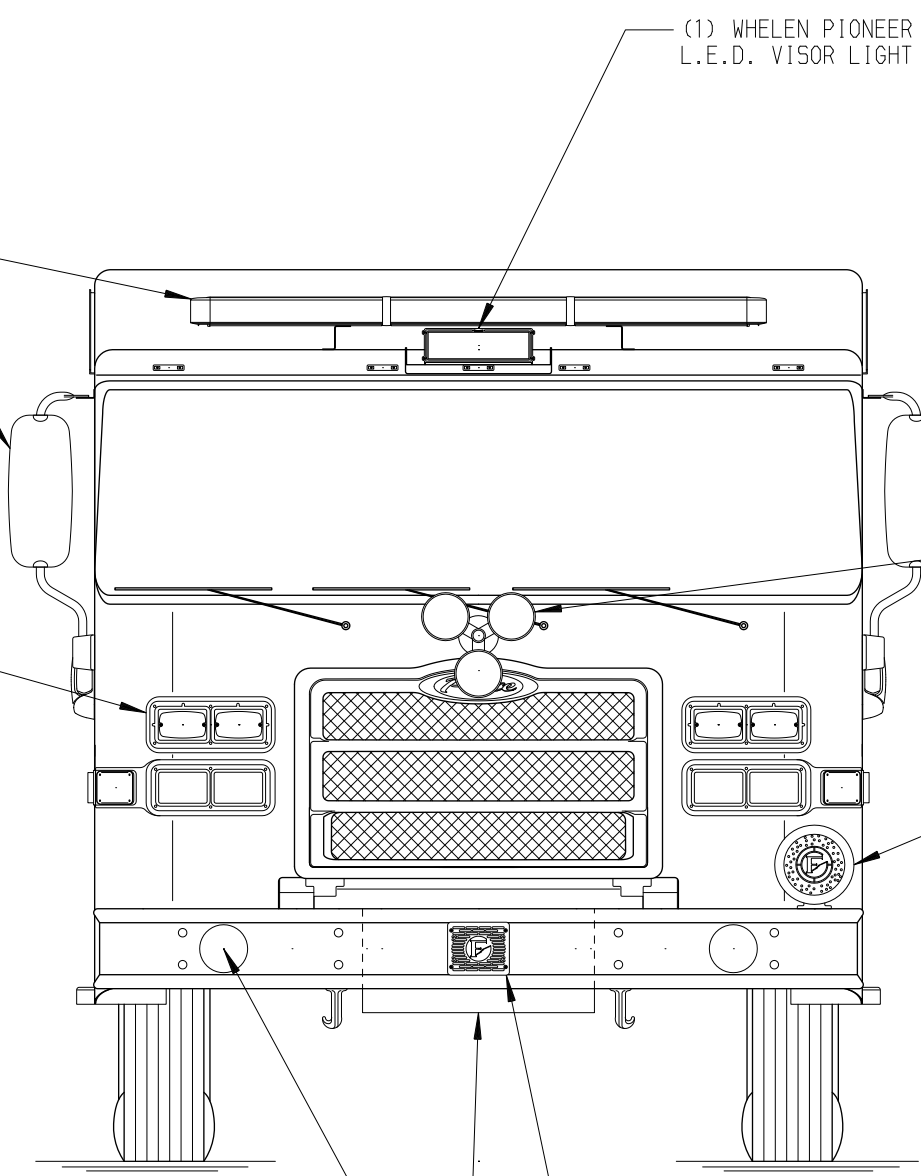


WHELEN FREEDOM IV
72" L.E.D. LIGHTBAR

RETRAC HEATED/REMOTE
CONTROL MIRRORS
WITH CONVEX SECTION

(2) WHELEN MS L.E.D.
WARNING LIGHTS

(4) WHELEN MS L.E.D.
WARNING LIGHTS
EACH SIDE

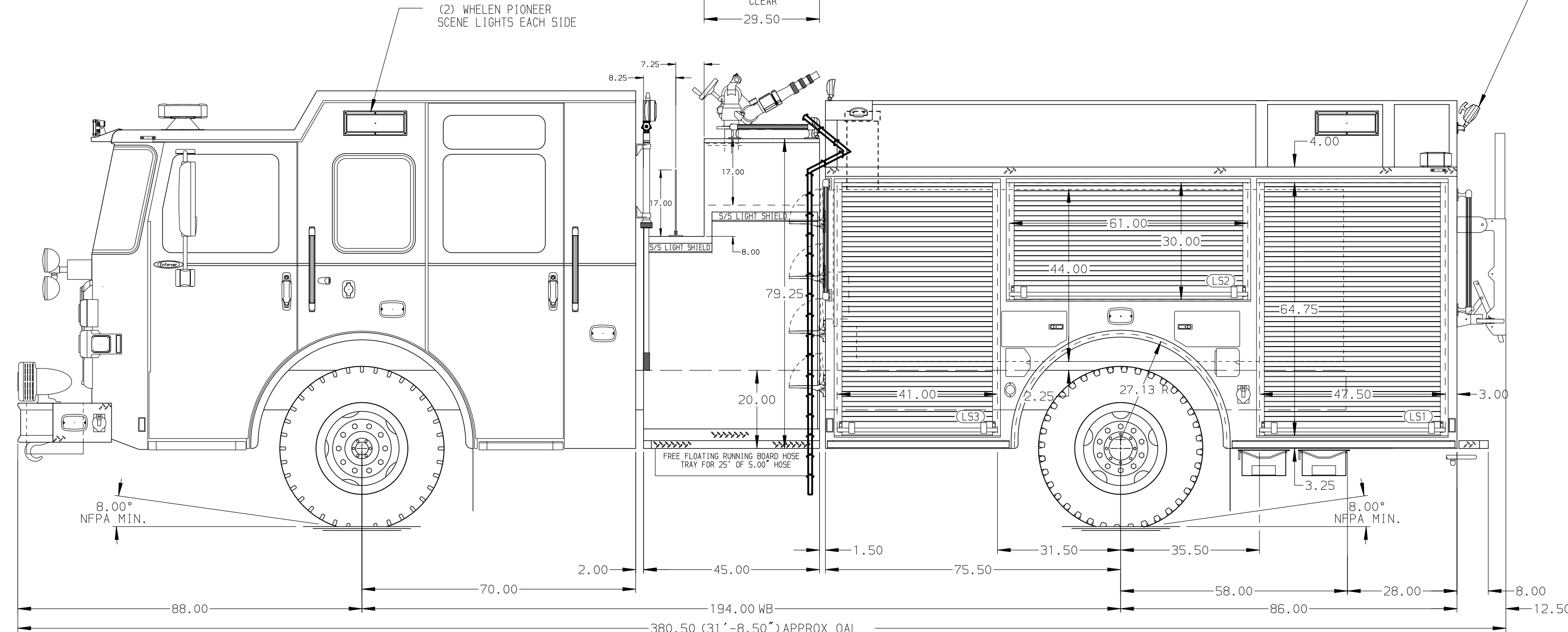
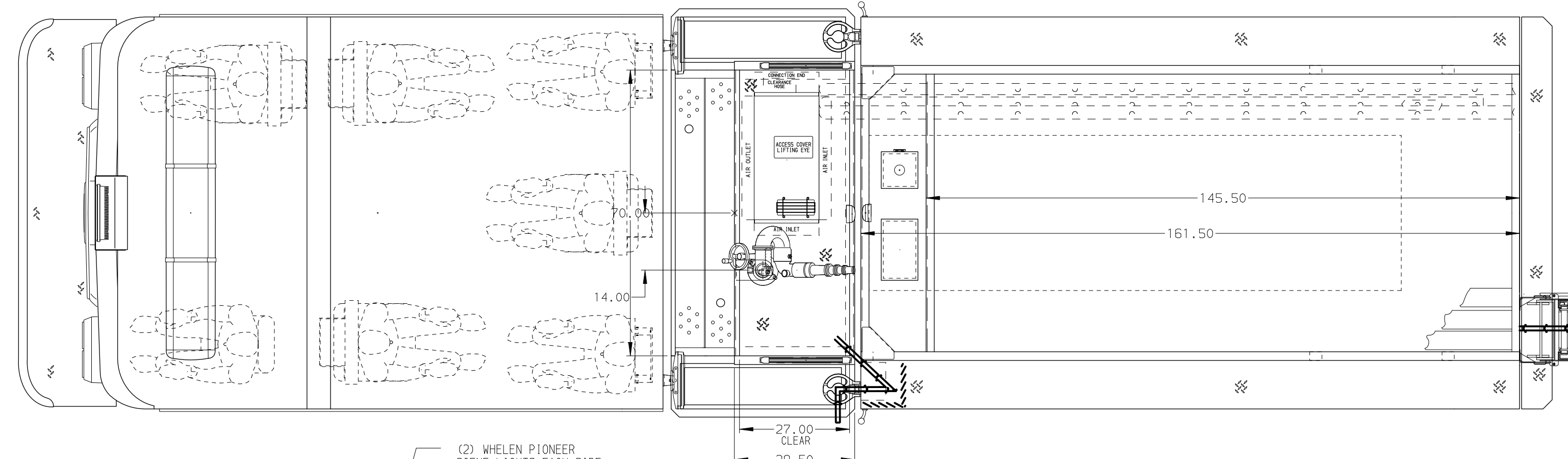


(2) GROVER AIR HORNS

(1) FEDERAL BP200-EF SPEAKER

CENTER HOSE TRAY
FOR 125' OF 1.75" HOSE

HOSEBED CAPACITY	
BED 1	1000' OF 5.00" D.J. POLY HOSE
BED 2	400' OF 2.50" D.J. POLY HOSE
BED 3	400' OF 1.50" D.J. POLY HOSE



CUSTOMER APPROVAL			
APPROVED BY:			
DATE:			
REV	DATE	BY	CH

		JOB NO.	36829
		SCALE	DATE
TITLE	Pierce Pumper Approval Drawing	DRAWN BY	MMF
FOR	Pella Fire Department	CHECKED BY	COL
DWG NO.	36829AD	SHEET SIZE	SHEET NO.
		D	1 OF 1