

**PUMPER
BODY**

Medium Aluminum 2nd Gen Pumper

CHASSIS

Sober FR Chassis

**CHASSIS
AXLE, FRONT, CUSTOM**

18,000 Lb Dana Axle

AXLE, REAR

24,000 Lb Dana Axle

ENGINE

450 HP Cummins L9 Engine

TRANSMISSION

Allison 5th Gen, 3000 EVS P

BUMPER

19" Extended Stainless Steel

CAB

6010 Sober FR Cab

**BODY
WATER TANK**

1000 Gallon Poly Water Tank

COMPT, PUMPER, REAR

44.50" FF RollUp Rear Compt

COMPT, PUMPER, LEFT SIDE

152" Lap Full Height Front & Rear FOLER

COMPT, PUMPER, RIGHT SIDE

152" Lap Full Height Front & Rear FOLER

**FIRE SUPPRESSION
PUMPHOUSE**

42" Control Zone Top Mount

PUMP

1500 GPM Waterous CMU

CROSSLAYS, 1.50"

1.50" Crosslays Not Required

CROSSLAYS, 2.50"

2.50" Crosslay Not Required

SPEEDLAYS

(2) 1.50" W/Tray Std. Capacity

(1) 2.50" W/Tray Std. Capacity

GENERATOR

Generator Not Required

Foam System

Husky 3 Single Agent Foam System

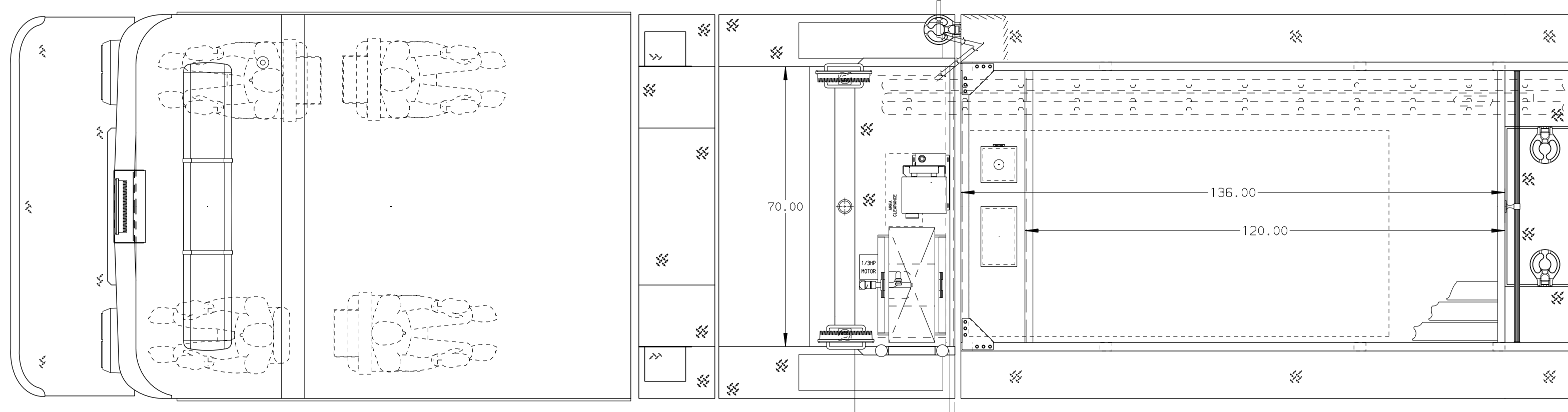
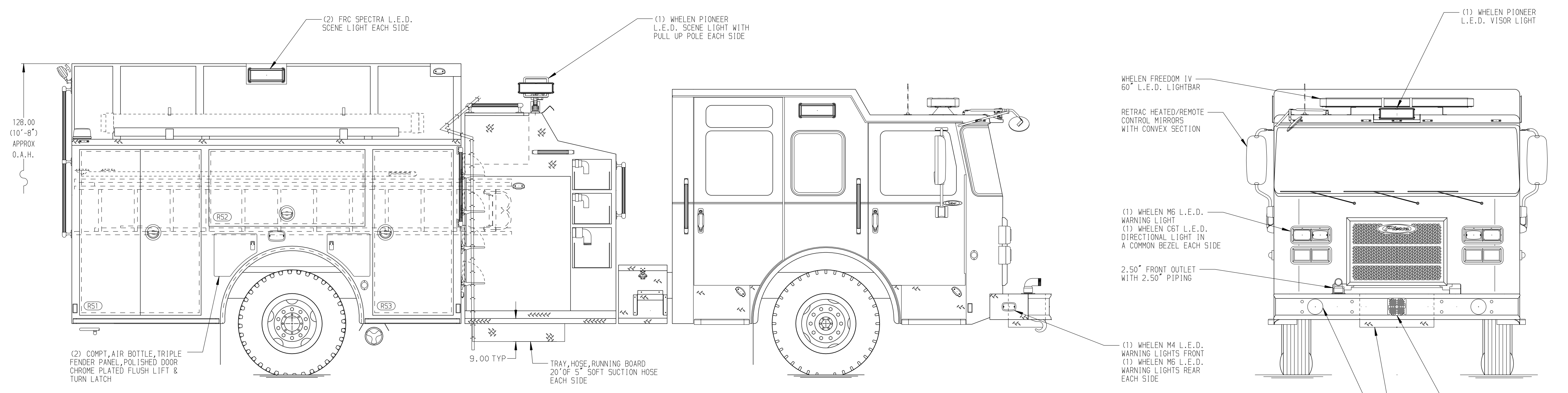
Foam Cell

20 Gallon Foam Cell, Non Reduced Water

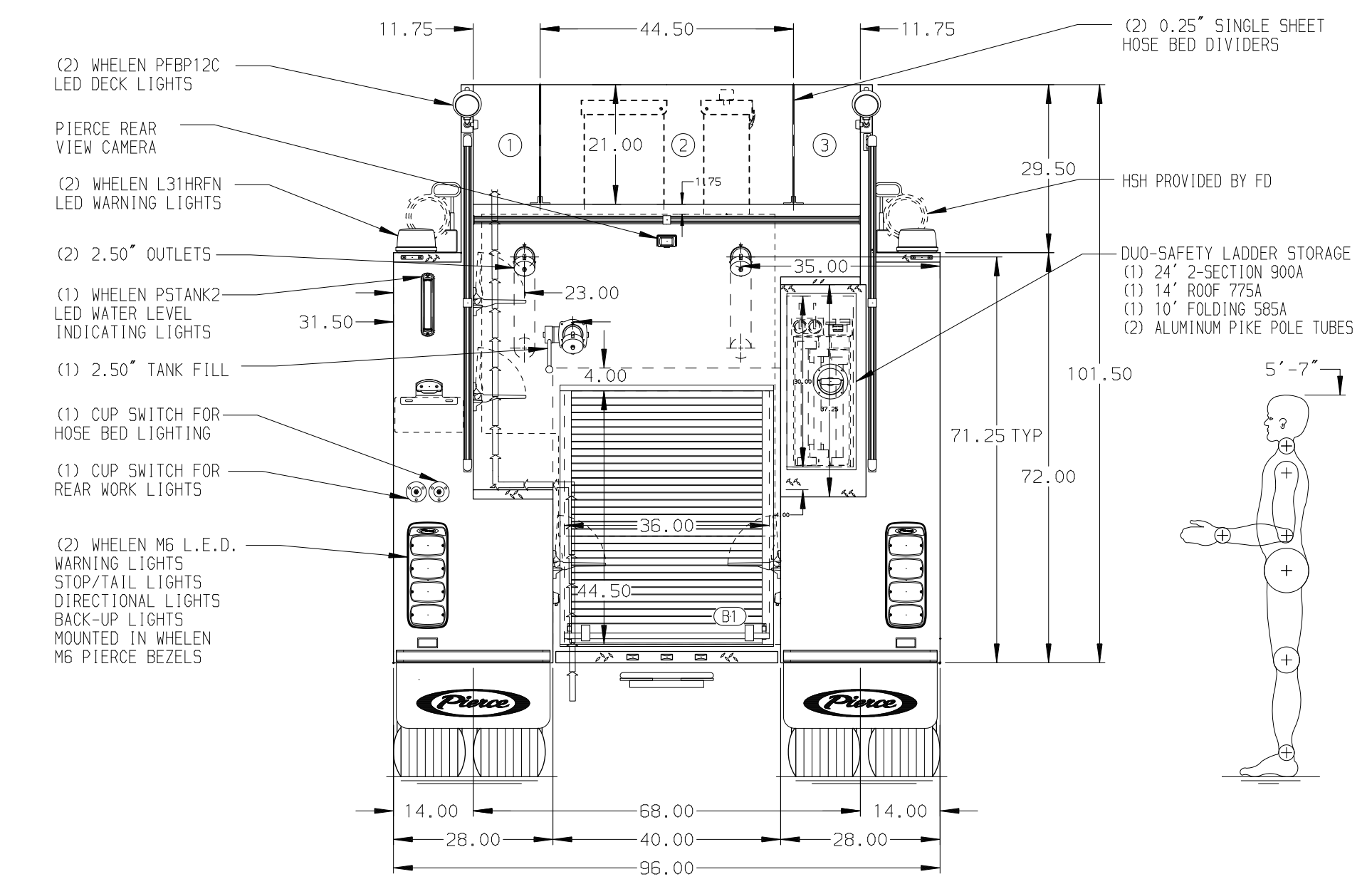
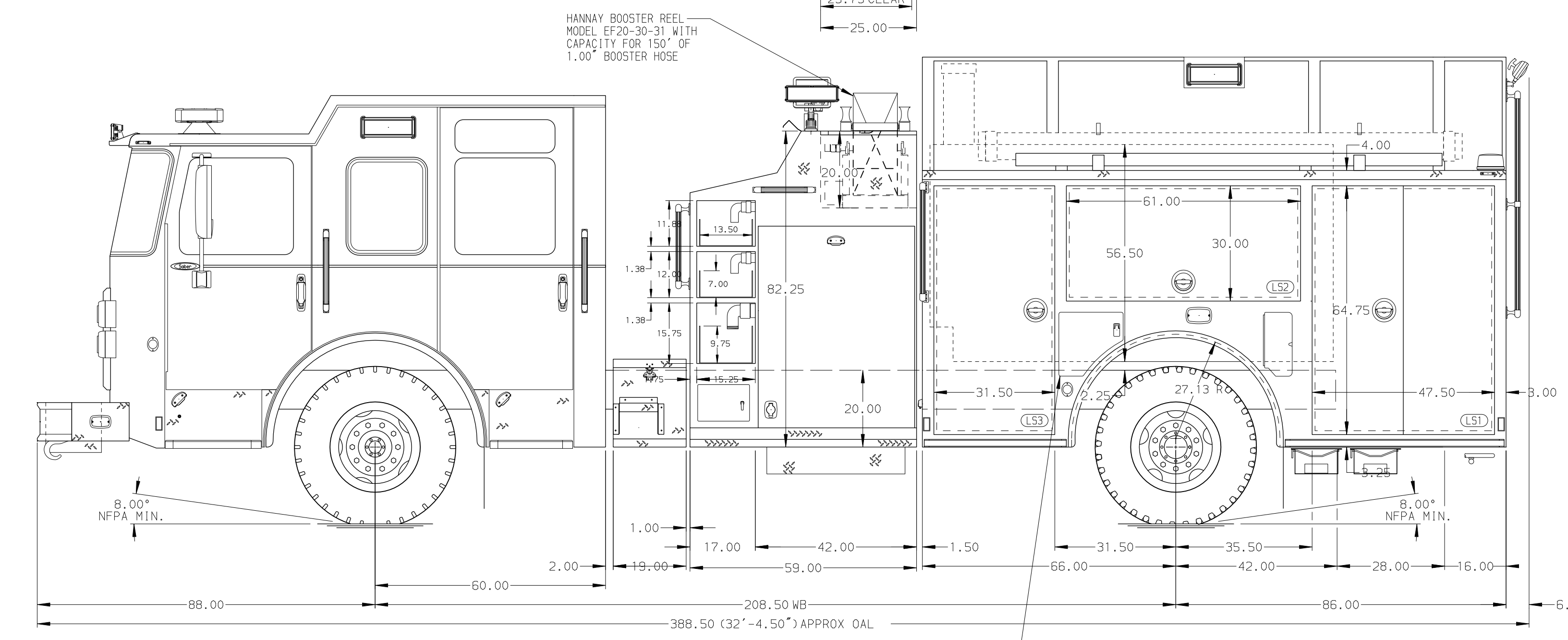
Side Roll and Frontal Impact Protection

NOTE

DIMENSIONS SHOWN ARE APPROXIMATE AND ARE SUBJECT TO MINOR DEVIATIONS AS MAY OCCUR OR BE NECESSARY IN CONSTRUCTION. MINOR DETAILS NOT SHOWN.



HOSEBED CAPACITY	
BED 1	500' OF 3.00" D.J. POLY HOSE
BED 2	1000' OF 5.00" D.J. POLY HOSE
BED 3	500' OF 3.00" D.J. POLY HOSE



		JOB NO.	36853
		SCALE	DATE
TITLE	Pierce Pumper Approval Drawing	DRAWN BY	MMF
FOR	Mountain View VFD	CHECKED BY	COL
DWG NO.	36853AD	SHEET SIZE	SHEET NO.
		D	1 OF 1

REV	DATE	BY	CH	CHASSIS DATA
17SEP21	RHU	AJA	PIERCE	FOR
27AUG21	JLA	AJA	MODEL	DWG
			SABER	NO.