

**PUMPER BODY**  
Medium Aluminum 2nd Gen Pumper

**CHASSIS**  
Sober FR Chassis

**CHASSIS AXLE, FRONT, CUSTOM**  
20,000 Lb Dana Axle

**AXLE, REAR**  
27,000 Lb Dana Axle

**ENGINE**  
450 HP Cummins L9 Engine

**TRANSMISSION**  
Allison 5th Gen, 3000 EVS P

**BUMPER**  
22" Extended Painted Steel

**CAB**  
7010 Sober FR Cab

**BODY WATER TANK**  
750 Gallon New York Style Water Tank

**COMPT, PUMPER, REAR**  
30.75" FF RollUp Rear Compt

**COMPT, PUMPER, LEFT SIDE**  
152" RollUp Full Height Front & Rear FDLR

**COMPT, PUMPER, RIGHT SIDE**  
152" RollUp Full Height Front & Rear FDLR

**FIRE SUPPRESSION PUMPHOUSE**  
48" Control Zone Side Mount

**PUMP**  
2000 GPM Waterous CSU

**CROSSLAYS, 1.50"**  
(2) 1.50" Standard Capacity

**CROSSLAYS, 2.50"**  
(1) 2.50" Standard Capacity

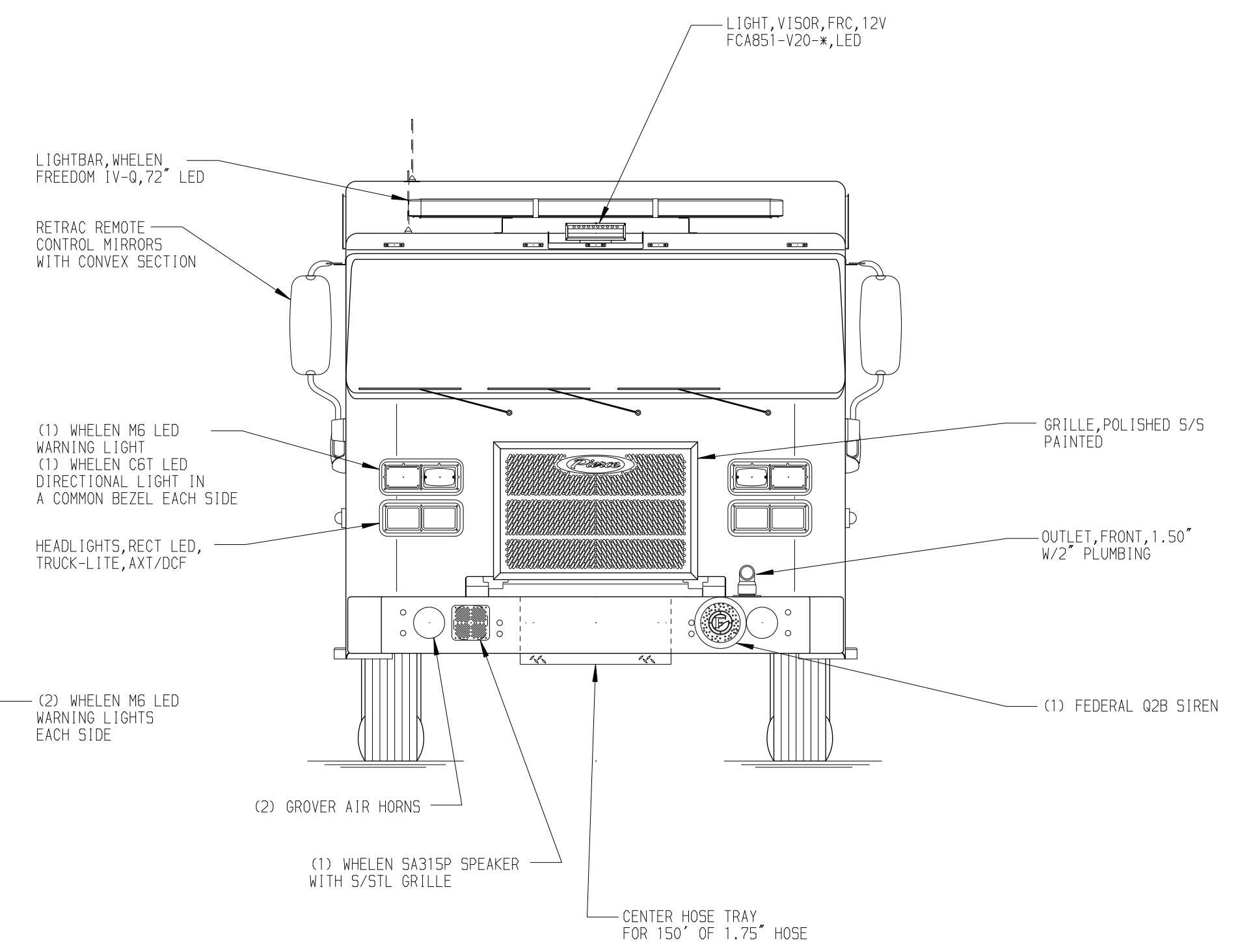
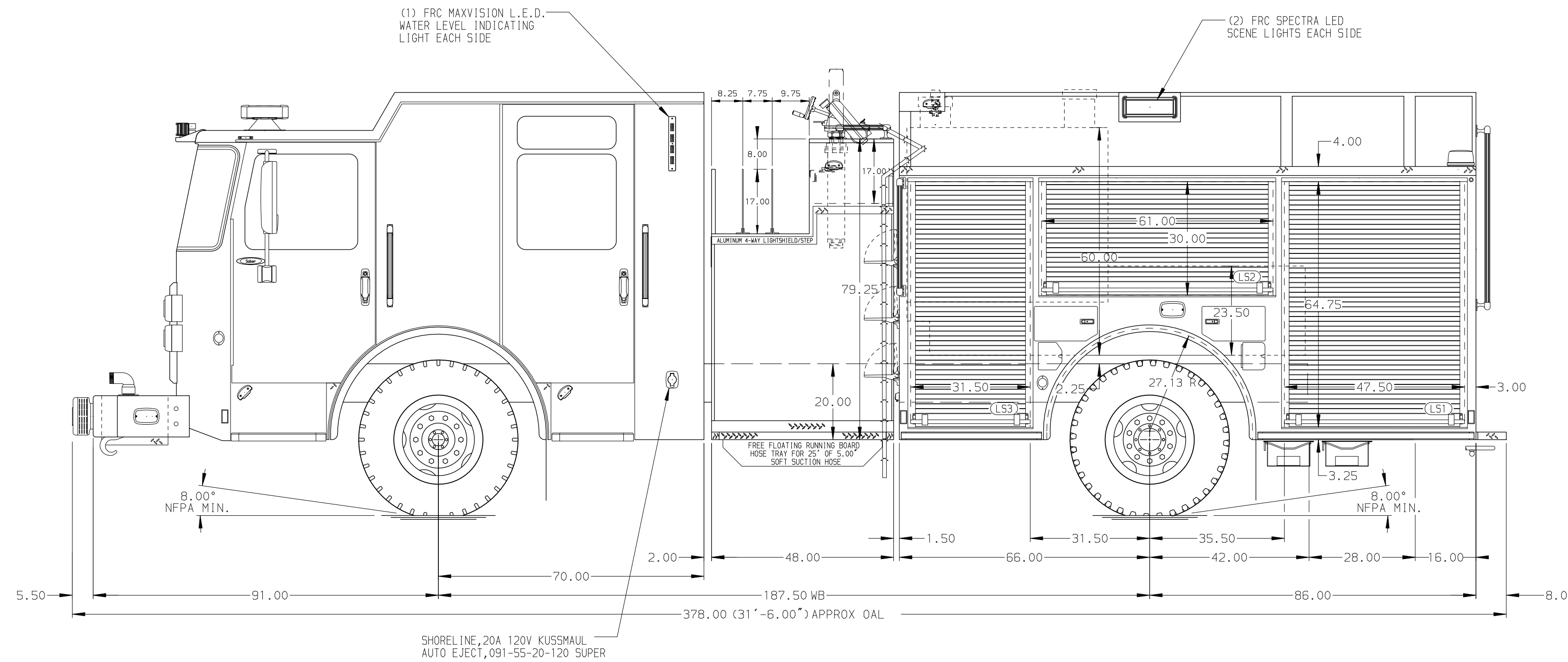
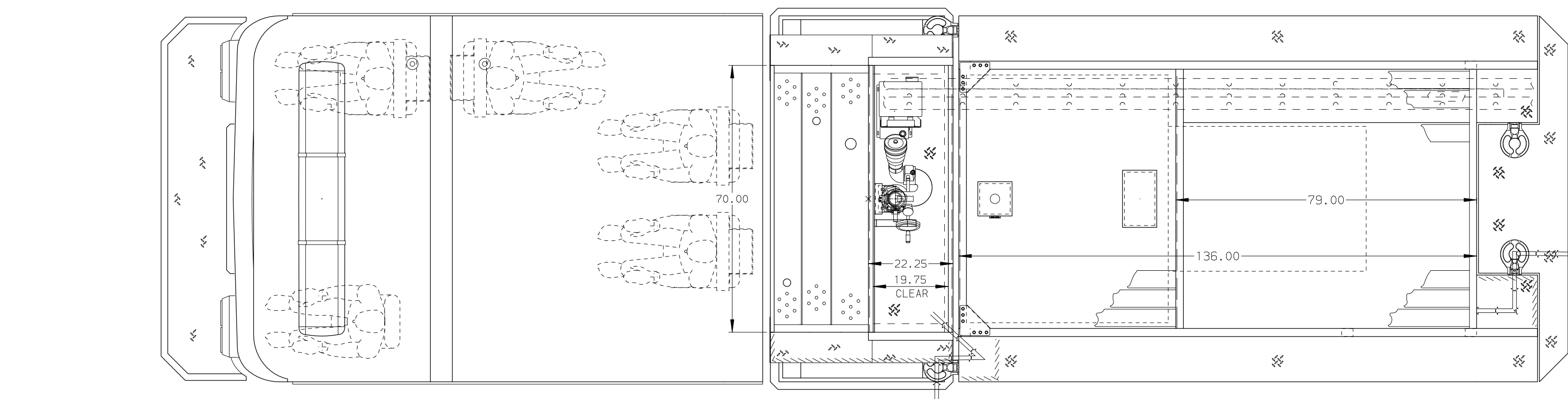
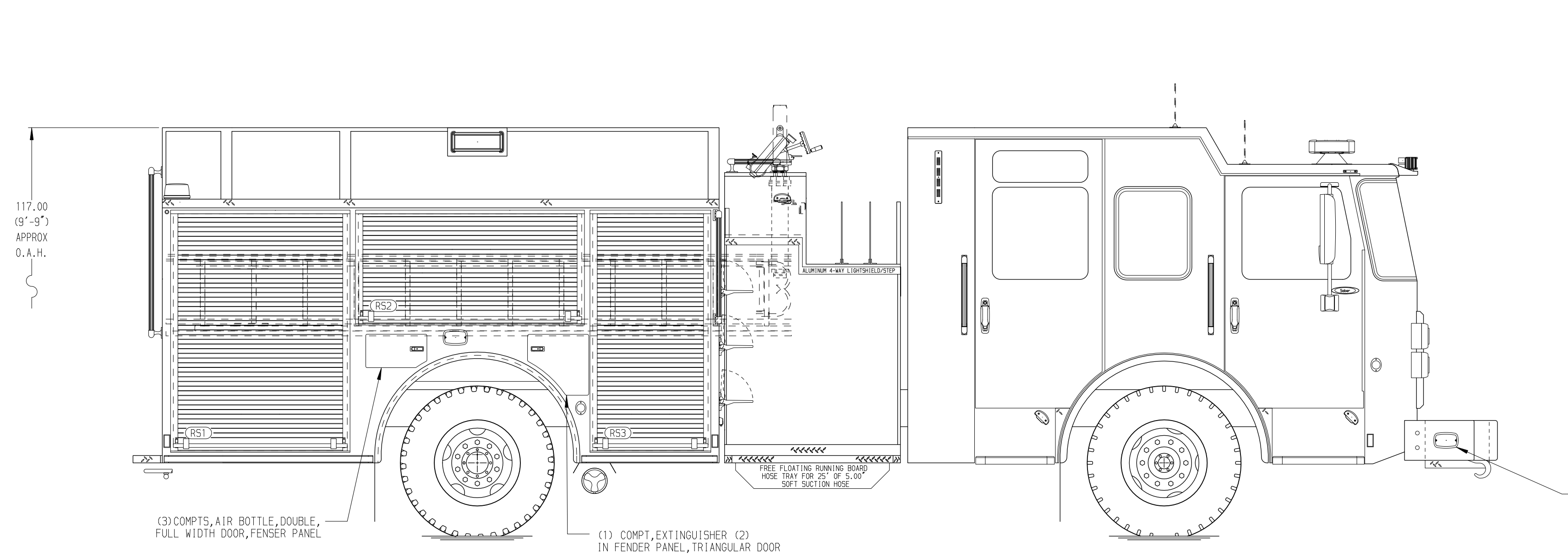
**SPEEDLAYS**  
Speedlays Not Required

**GENERATOR**  
Generator Not Required

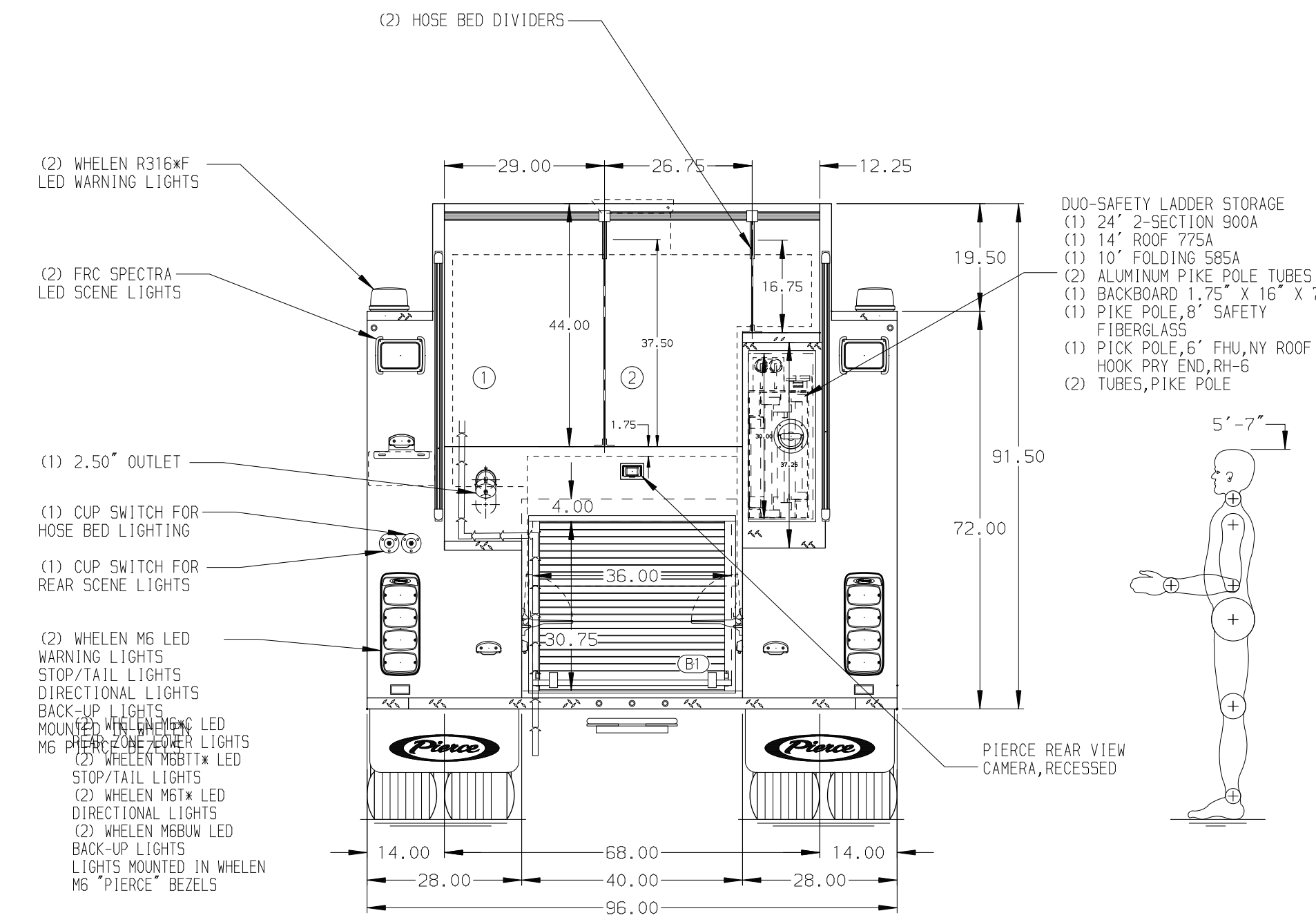
**Foam System**  
Husky 3 Single Agent Foam System

**Foam Cell**  
20 Gallon, Not Reduced Water

**NOTE**  
DIMENSIONS SHOWN ARE APPROXIMATE AND ARE SUBJECT TO MINOR DEVIATIONS AS MAY OCCUR OR BE NECESSARY IN CONSTRUCTION. MINOR DETAILS NOT SHOWN.



HOSEBED CAPACITY	
<b>BED 1</b>	800' OF 4.00" D.J. POLY HOSE
<b>BED 2</b>	600' OF 2.50" D.J. POLY HOSE



REV	DATE	BY	CH	SABER FR
▽	15DEC21	JLA	AJA	MAKE
▽	14DEC21	JLA	AJA	PIERCE
▽	08NOV21	JLA	AJA	MODEL

		JOB NO.	36890
		SCALE	1:24 DATE
TITLE	Pierce Pumper Approval Drawing	DRAWN BY	MMF 15SEP21
FOR	Kenner Fire Department	CHECKED BY	COL 15SEP21
DWG NO.	36890AD	SHEET SIZE	D SHEET NO. 1 OF 1