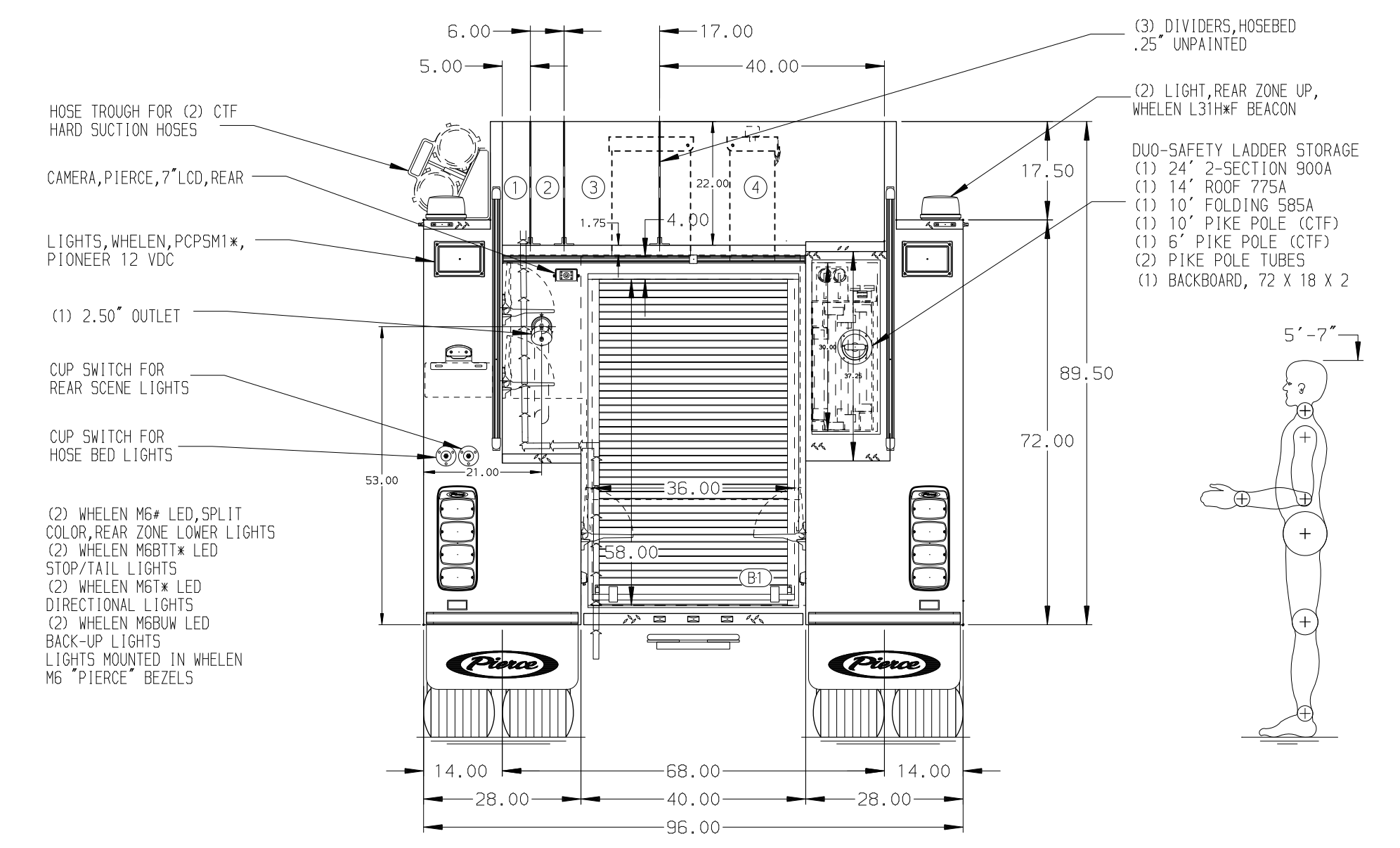


- HOSEBED CAPACITIES
- ① - 200' OF 1.75" D.J. POLY HOSE
 - ② - 200' OF 2.50" D.J. POLY HOSE
 - ③ - 600' OF 3.00" D.J. POLY HOSE
 - ④ - 1000' OF 5.00" D.J. POLY HOSE



ALUMINUM BODY

MAXIMUM O.A.L. 360.00"

NOTE
DIMENSIONS SHOWN ARE APPROXIMATE AND ARE SUBJECT TO MINOR DEVIATIONS AS MAY OCCUR OR BE NECESSARY IN CONSTRUCTION. MINOR DETAILS NOT SHOWN.

REV	DATE	BY	CH	SABER FR
17JAN22	RHU	AJA		
15DEC21	JLA	AJA		
21OCT21	JUS	EGO		

		JOB NO.	36901
		SCALE	DATE
TITLE	1500-D-750P, W/ 20G FOAM, 152" FH/FDLR LADDERS BTWN TANK & SS, (2) XLAYS, HUSKY 3, AUX PUMP	DRAWN BY	JJB
FOR	WESTON VOLUNTEER FIRE DEPARTMENT WESTON, TEXAS	CHECKED BY	WKL
DWG NO.	36901AD	SHEET SIZE	SHEET NO.
		D	1 OF 1