

**RIGHT SIDE COMPARTMENTS CONTAIN THE FOLLOWING:**

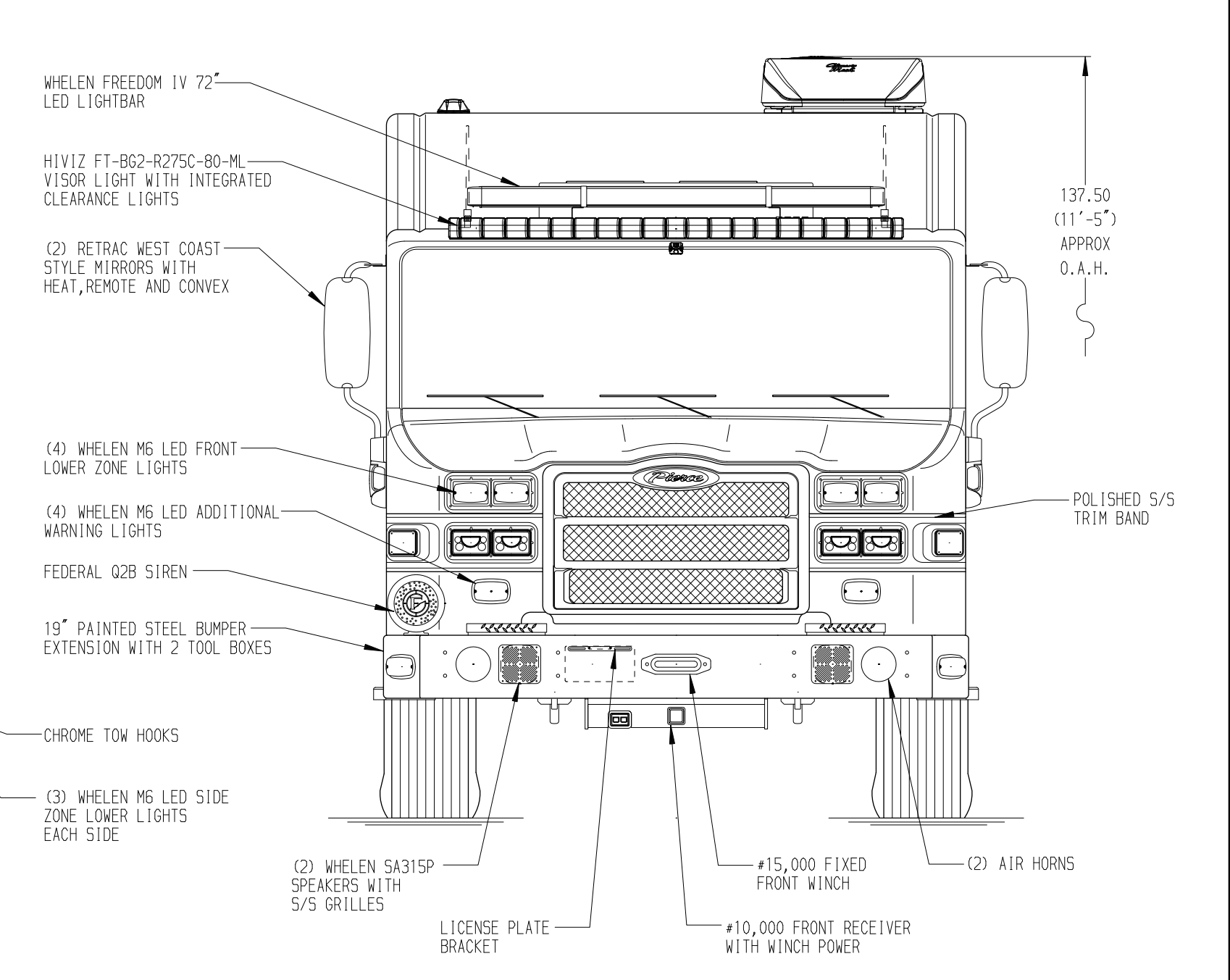
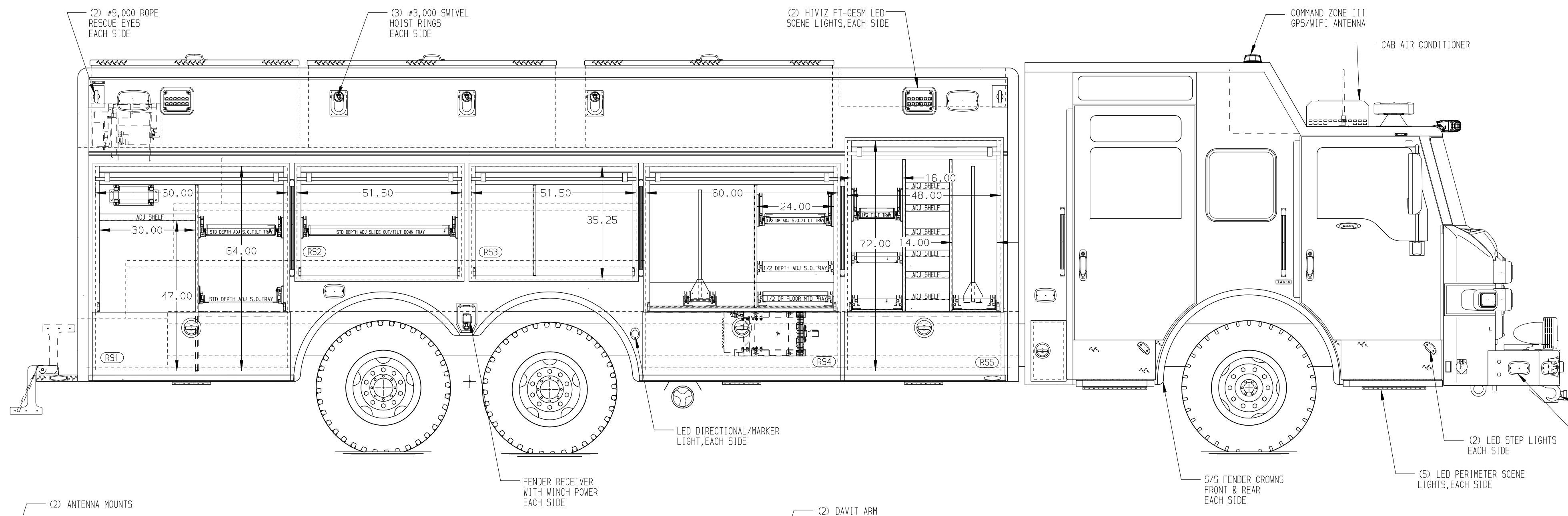
COMPARTMENT R51 CONTAINS:  
 - (1) VERTICAL COMPARTMENT DIVIDER  
 - (1) HORIZONTAL FLOOR EXTENSION  
 - (1) STD DEPTH ADJ SHELF  
 - (1) STD DEPTH ADJ SLIDE OUT TRAY  
 - (1) STD DEPTH ADJ SLIDE OUT/TILT TRAY  
 - (1) ELECTRIC CORD REEL WITH 200' OF 10/3 YELLOW CORD

COMPARTMENT R52 CONTAINS:  
 - (1) STD DEPTH ADJ SLIDE OUT/TILT TRAY

COMPARTMENT R53 CONTAINS:  
 - (1) VERTICAL COMPARTMENT DIVIDER

COMPARTMENT R54 CONTAINS:  
 - (1) VERTICAL REAR WALL DIVIDER (LOWER)  
 - (1) HORIZONTAL FLOOR EXTENSION  
 - (1) VERTICAL COMPARTMENT DIVIDER  
 - (1) 1/2 DEPTH ADJ SLIDE OUT TRAY  
 - (1) 1/2 DEPTH ADJ SLIDE OUT/TILT TRAY  
 - (1) 1/2 DEPTH FLOOR MTD SLIDE OUT TRAY  
 - (1) 1/2 DEPTH FLOOR MTD SLIDE OUT TOOLBOARD

COMPARTMENT R55 CONTAINS:  
 - (1) HORIZONTAL FLOOR EXTENSION  
 - (2) VERTICAL COMPARTMENT DIVIDERS  
 - (1) 1/2 DEPTH ADJ SLIDE OUT TRAY  
 - (1) 1/2 DEPTH ADJ SLIDE OUT/TILT TRAY  
 - (1) 1/2 DEPTH FLOOR MTD SLIDE OUT TRAY  
 - (1) 1/2 DEPTH FLOOR MTD SLIDE OUT TRAY WITH TOOLBOARD  
 - (6) FULL TRANSVERSE ADJUSTABLE SHELVES



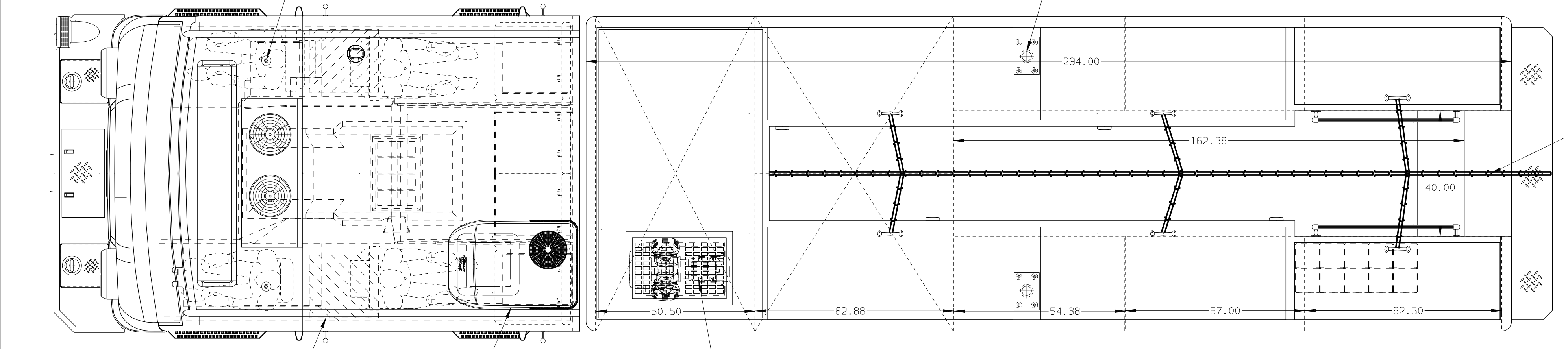
**REAR COMPARTMENT CONTAINS THE FOLLOWING:**

COMPARTMENT B1 CONTAINS:  
 -

COMPARTMENT B2 CONTAINS:  
 - (1) 107" DP ADJ SLIDE OUT TRAY

COMPARTMENT B3 CONTAINS:  
 - (1) 90" DP ADJ SLIDE OUT TRAY

COMPARTMENT B4 CONTAINS:  
 -



**LEFT SIDE COMPARTMENTS CONTAIN THE FOLLOWING:**

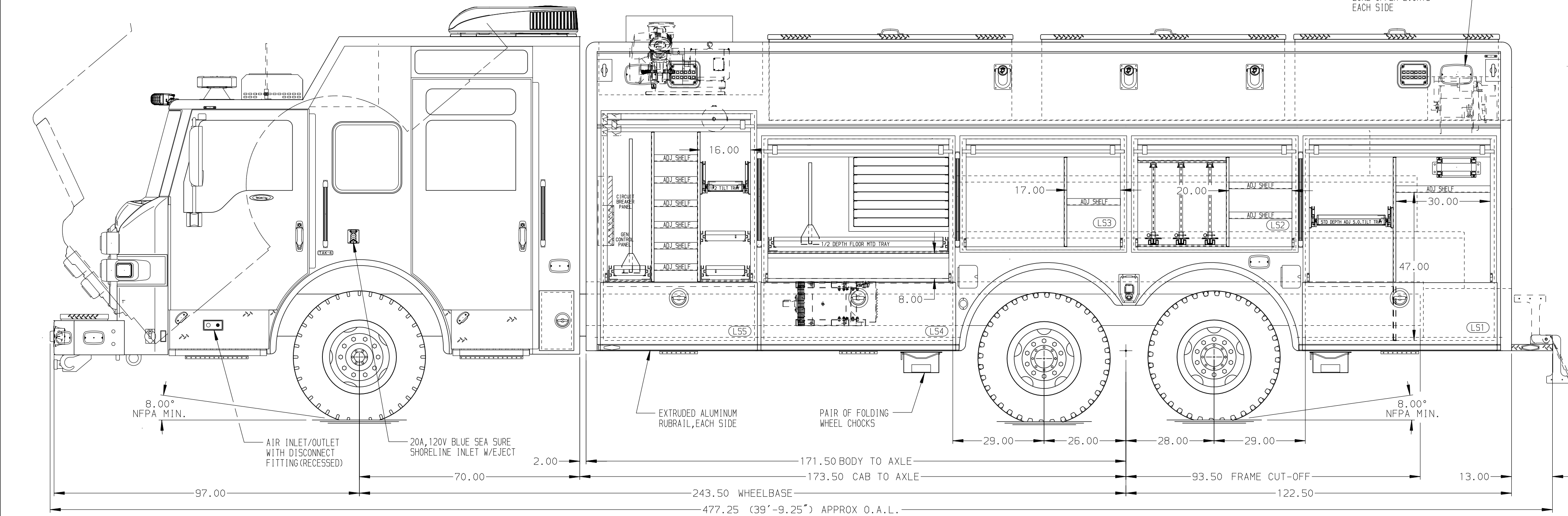
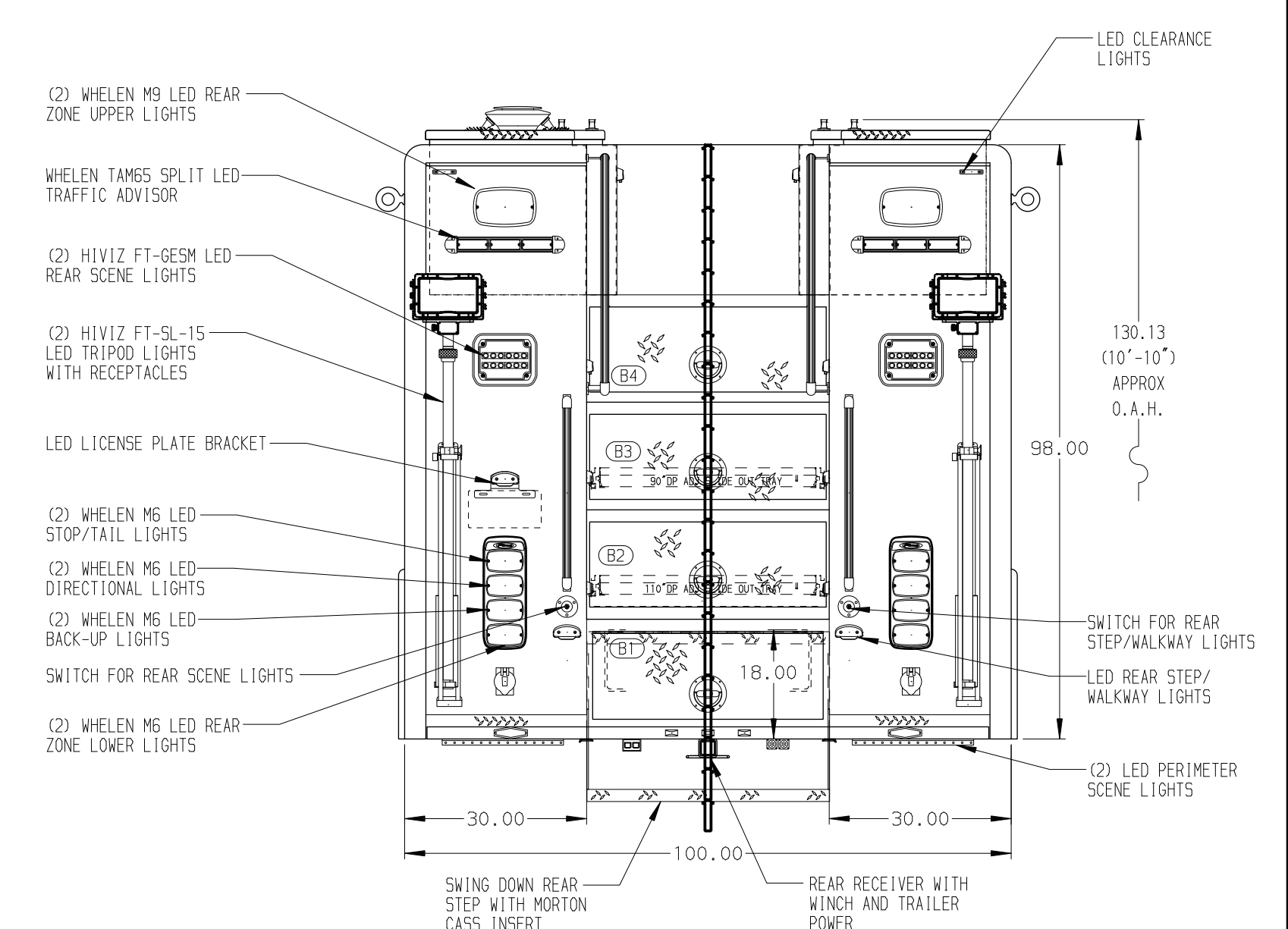
COMPARTMENT L51 CONTAINS:  
 - (1) HORIZONTAL FLOOR EXTENSION  
 - (1) VERTICAL COMPARTMENT DIVIDER  
 - (1) STD DEPTH ADJ SHELF  
 - (1) STD DEPTH ADJ SLIDE OUT/TILT TRAY  
 - (1) ELECTRIC CORD REEL WITH 200' OF 10/3 YELLOW CORD

COMPARTMENT L52 CONTAINS:  
 - (1) VERTICAL COMPARTMENT DIVIDER  
 - (2) STD DEPTH ADJ SHELVES  
 - (3) STD DEPTH ADJ SLIDE OUT TOOLBOARDS

COMPARTMENT L53 CONTAINS:  
 - (1) VERTICAL COMPARTMENT DIVIDER  
 - (1) STD DEPTH ADJ SHELF

COMPARTMENT L54 CONTAINS:  
 - (1) VERTICAL REAR WALL DIVIDER (LOWER)  
 - (1) HORIZONTAL FLOOR EXTENSION  
 - (1) FALSE FLOOR  
 - (1) RACK FOR 8 AIR BAGS  
 - (1) 1/2 DEPTH FLOOR MTD SLIDE OUT TRAY WITH TOOLBOARD

COMPARTMENT L55 CONTAINS:  
 - (1) HORIZONTAL FLOOR EXTENSION  
 - (2) VERTICAL COMPARTMENT DIVIDERS  
 - (1) 1/2 DEPTH ADJ SLIDE OUT TRAY  
 - (1) 1/2 DEPTH ADJ SLIDE OUT/TILT TRAY  
 - (1) 1/2 DEPTH FLOOR MTD SLIDE OUT TRAY  
 - (1) 1/2 DEPTH FLOOR MTD SLIDE OUT TRAY WITH TOOLBOARD  
 - (1) CIRCUIT BREAKER PANEL  
 - (1) GENERATOR METER PANEL  
 - (6) FULL TRANSVERSE ADJUSTABLE SHELVES



**NOTE**  
 DIMENSIONS SHOWN ARE APPROXIMATE AND ARE SUBJECT TO MINOR DEVIATIONS AS MAY OCCUR OR BE NECESSARY IN CONSTRUCTION. MINOR DETAILS NOT SHOWN.

- NOTES:**
- ONAN 25kW SINGLE PHASE PTO DRIVEN GENERATOR WITH SPLASH GUARD LOCATED BETWEEN THE FRAME RAILS
  - WARN #9,000 PORTABLE RECEIVER STYLE WINCH
  - POLISHED 5/5 SCUFFPLATES ON CAB AND CREW CAB DOOR JAMBS
  - FLOOR IN CAB AND CREW CAB TO BE PADDED RUBBER
  - 10TA 75 AMP CHARGER LOCATED IN CAB SEAT BOX
  - PELSUE DAVIT ARM SYSTEM
  - RACK FOR 10 SCBA BOTTLES IN HATCH COMPARTMENT ABOVE L51
  - 5/5 GUARDS ON ALL BODY ROLL-UP DOORS
  - 5/5 SCUFFPLATES ON ALL BODY SWING DOWN LAP DOORS
  - AMOR LED STRIP LIGHTS IN ALL BODY AND HATCH COMPARTMENTS

MAXIMUM O.A.H.: 10' - 9.0"  
 SIDE ROLL AND FRONTAL IMPACT PROTECTION

**CLEAR DOOR WIDTH KEY**

AMOR ROLL UP DOORS:	-2 1/4"
CURTAIN ROLL UP DOORS:	-2 1/2"
PIERCE DOUBLE LAP DOORS:	-4 1/4"
PIERCE LIFT-UP LAP DOORS:	-1 1/2"

(EX: 60" F-F - 2 1/4" = 57 3/4" CLEAR)  
 (F-F) = FRAME TO FRAME

<b>CUSTOMER APPROVAL</b>		JOB NO. 36904	
APPROVED BY:	DATE:	SCALE 1:24	DATE
TITLED HEAVY DUTY RESCUE NON-WALKIN		DRAWN BY DHE	30NOV21
FOR GARLAND		CHECKED BY AZU	01DEC21
PIERCE BID #1055		BECKWITH, SCOTT	SHEET NO. 1 OF 1
REV 03JAN22	DHE	AZU	MODEL VX7020
DATE	BY	CH	DWG NO. 36904AD