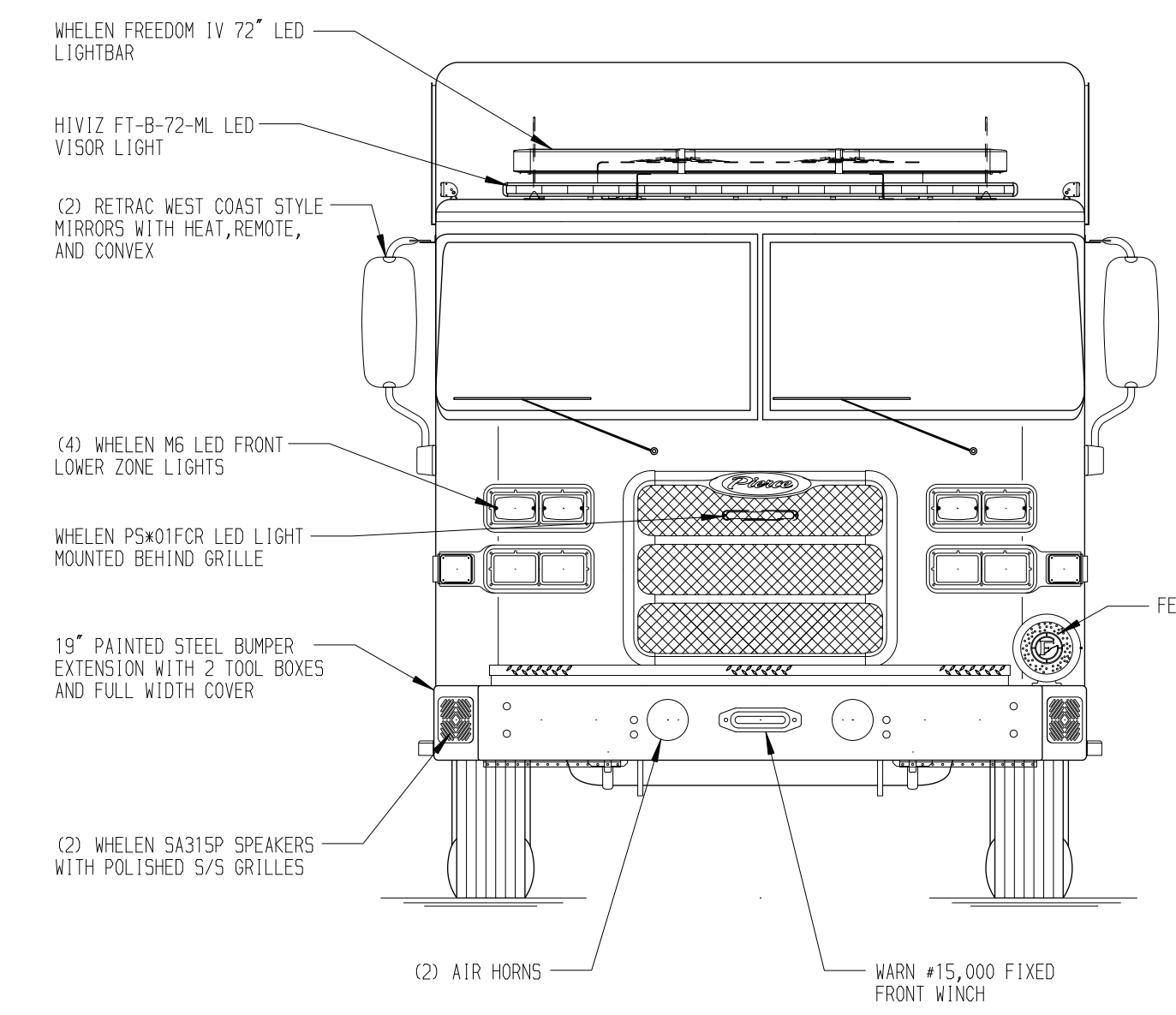
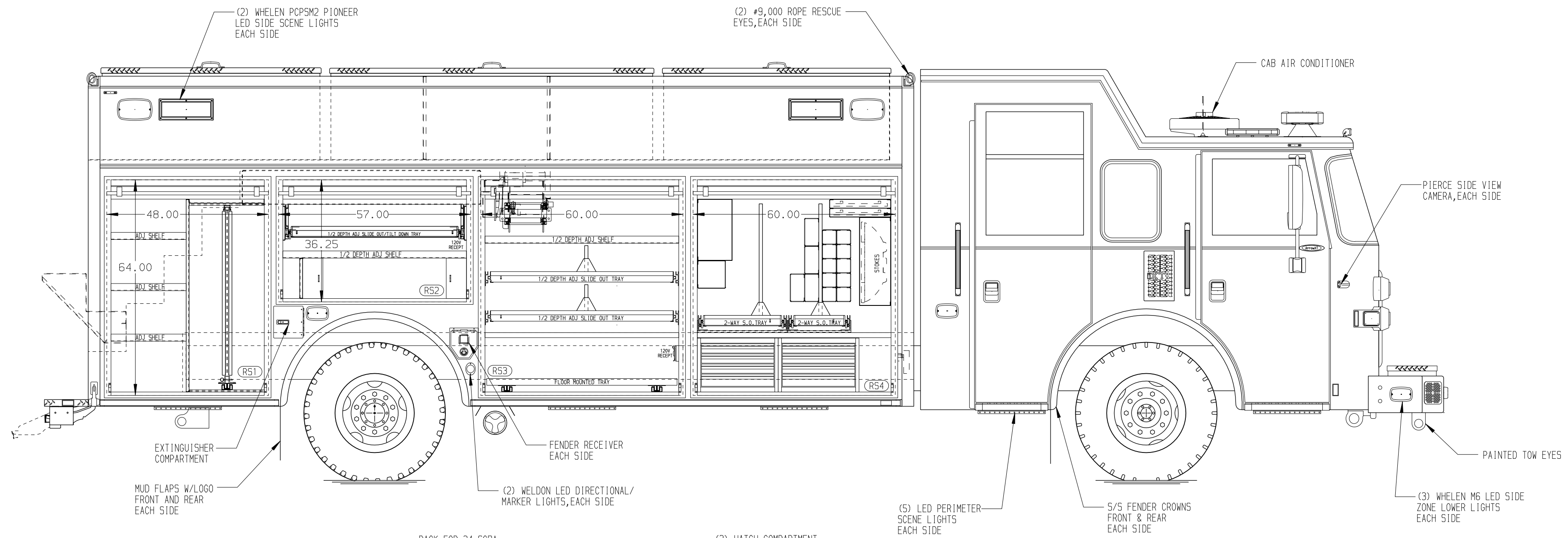


RIGHT SIDE COMPARTMENTS CONTAIN THE FOLLOWING:

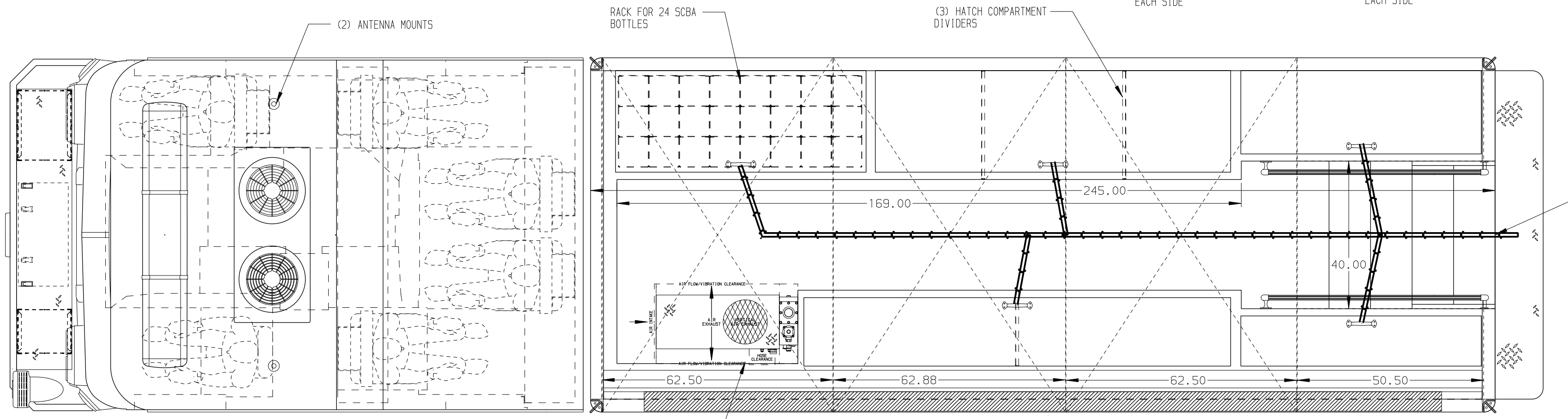
- COMPARTMENT RS1 CONTAINS:**
 - (1) VERTICAL COMPARTMENT DIVIDER
 - (3) STANDARD DEPTH ADJ SHELVES
 - (1) STD DEPTH ADJ SLIDE OUT TOOLBOARD WITH PAC TRAC
- COMPARTMENT RS2 CONTAINS:**
 - (1) PLYWOOD STORAGE RACK
 - (1) 1/2 DEPTH ADJ SHELF
 - (1) 1/2 DEPTH ADJ SLIDE OUT/TILT TRAY
 - (1) 15/20A, 120V DUPLEX RECEPTACLE
- COMPARTMENT RS3 CONTAINS:**
 - (1) HORIZONTAL FLOOR EXTENSION
 - (1) 1/2 DEPTH ADJ SHELF
 - (2) 1/2 DEPTH ADJ SLIDE OUT TRAYS WITH TOOLBOARDS
 - (1) FLOOR MOUNTED TRAY
 - (1) ELECTRIC CORD REEL WITH 200' OF 10/3 YELLOW CORD
 - (1) 15/20A, 120V DUPLEX RECEPTACLE
- COMPARTMENT RS4 CONTAINS:**
 - (1) CAB LIFT CONTROLLER
 - (1) HORIZONTAL FLOOR EXTENSION
 - (1) RACK FOR SPEC PACK
 - (1) RACK FOR FOLDED TRIPOD
 - (1) STOKES BASKET RACK
 - (1) RACK FOR 2 BACKBOARDS
 - (1) 10 SLOT RACK
 - (1) 4 SLOT RACK
 - (2) 2-WAY FLOOR MOUNTED TRAYS WITH TOOLBOARDS
 - (2) 4-DRAWER C-TECH CABINETS



REAR COMPARTMENT CONTAINS THE FOLLOWING:

COMPARTMENT B1 CONTAINS:
 -
 -
 -

COMPARTMENT B2 CONTAINS:
 - (1) EQUIPMENT STORAGE COMPARTMENT
 -
 -



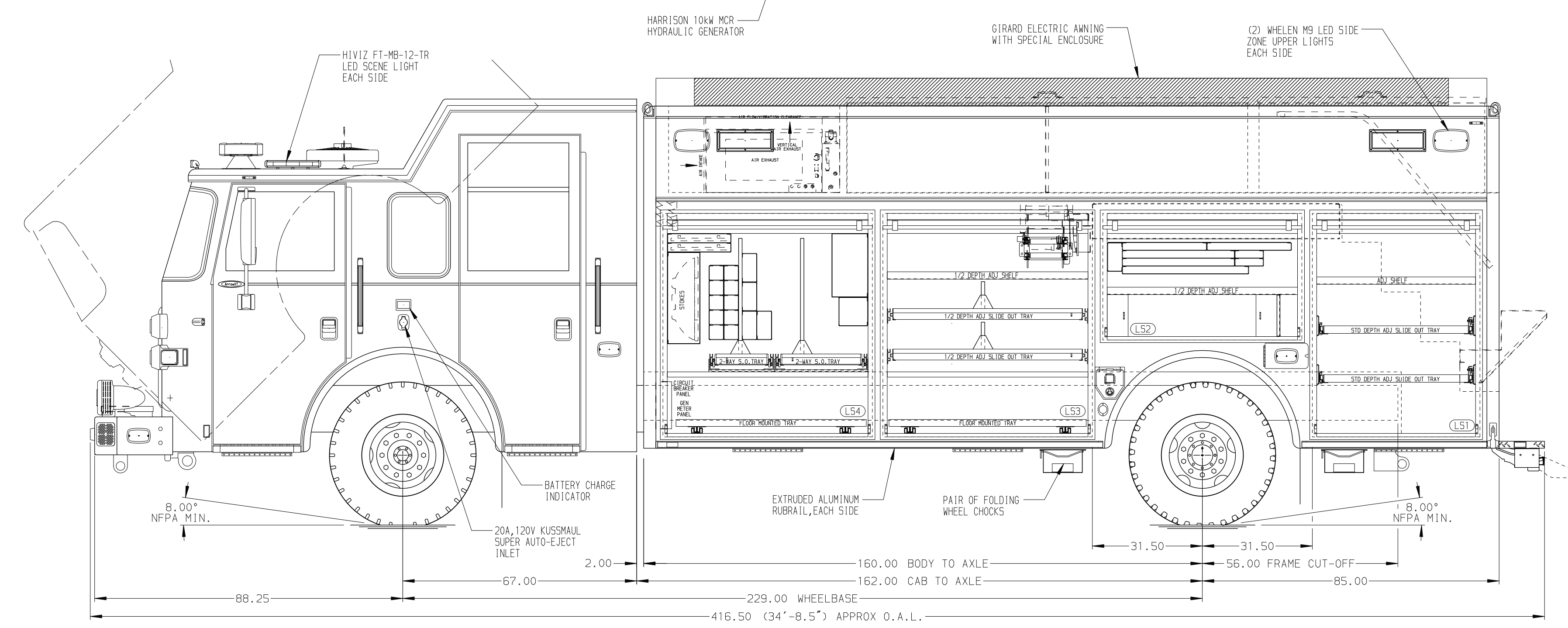
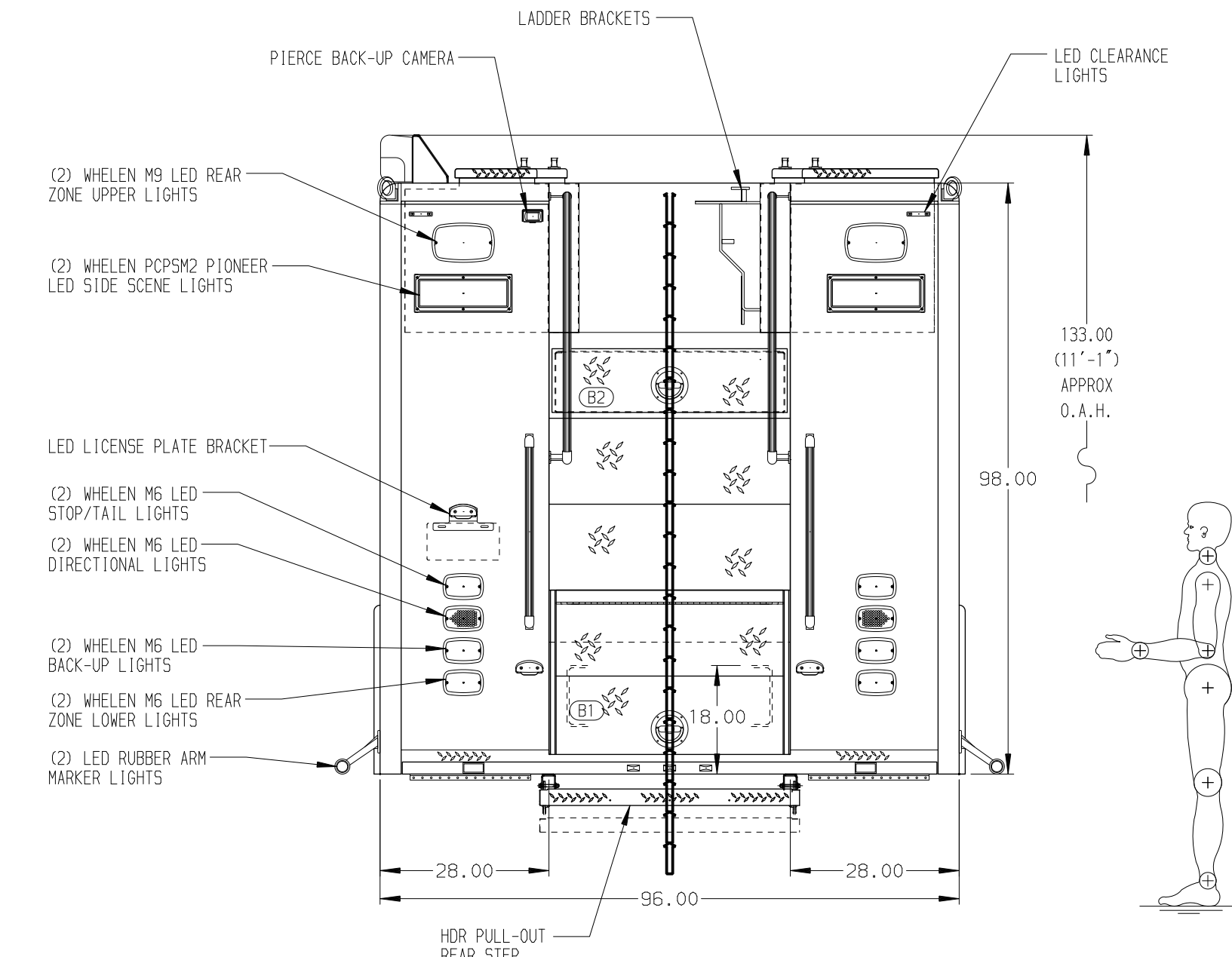
LEFT SIDE COMPARTMENTS CONTAIN THE FOLLOWING:

COMPARTMENT LS1 CONTAINS:
 - (1) STANDARD DEPTH ADJ SHELF
 - (2) STD DEPTH ADJ SLIDE OUT TRAYS

COMPARTMENT LS2 CONTAINS:
 - (1) RACK FOR 8 AIR BAGS
 - (1) PLYWOOD STORAGE RACK
 - (1) 1/2 DEPTH ADJ SHELF

COMPARTMENT LS3 CONTAINS:
 - (1) HORIZONTAL FLOOR EXTENSION
 - (1) 1/2 DEPTH ADJ SHELF
 - (2) 1/2 DEPTH ADJ SLIDE OUT TRAYS WITH TOOLBOARDS
 - (1) FLOOR MOUNTED TRAY
 - (1) ELECTRIC CORD REEL WITH 200' OF 10/3 YELLOW CORD

COMPARTMENT LS4 CONTAINS:
 - (1) IOTA 75 AMP CHARGER WITH INDICATOR
 - (1) HORIZONTAL FLOOR EXTENSION
 - (1) RACK FOR SPEC PACK
 - (1) RACK FOR FOLDED TRIPOD
 - (1) STOKES BASKET RACK
 - (1) RACK FOR 2 BACKBOARDS
 - (1) 10 SLOT RACK
 - (1) 4 SLOT RACK
 - (2) 2-WAY FLOOR MOUNTED TRAYS WITH TOOLBOARDS
 - (1) FLOOR MOUNTED TRAY
 - (1) CIRCUIT BREAKER PANEL
 - (1) GENERATOR METER PANEL



NOTE
 DIMENSIONS SHOWN ARE APPROXIMATE AND ARE SUBJECT TO MINOR DEVIATIONS AS MAY OCCUR OR BE NECESSARY IN CONSTRUCTION. MINOR DETAILS NOT SHOWN.

- NOTES:**
1. ONSPOT AUTOMATIC TIRE CHAINS
 2. AIR INLET WITH DISCONNECT COUPLING LOCATED IN THE DRIVER'S STEP WELL OF THE CAB
 3. POLISHED 5/5 SCUFFPLATES ON CAB AND CREW CAB DOOR JAMBS
 4. (2) FULL WIDTH SHELVES IN CREW CAB
 5. FLOOR IN CAB AND CREW CAB TO BE PADDED RUBBER
 6. 5/5 "L" SHAPED GUARDS ON ALL BODY ROLL-UP DOORS
 7. PIERCE LED STRIP LIGHTS IN ALL BODY AND HATCH COMPARTMENTS
 8. DRY-DECK MATTING ON ALL SHELVES, TRAYS, AND COMPARTMENT FLOORS
 9. (1) 15/20A, 120V DUPLEX RECEPTACLE LOCATED ABOVE SHELF IN CREW CAB

MAXIMUM O.A.H. 11'-6"
 SIDE ROLL AND FRONTAL IMPACT PROTECTION

CLEAR DOOR WIDTH KEY

AMOR ROLL UP DOORS:	-2 1/4"
CURTAIN ROLL UP DOORS:	-2 1/2"
PIERCE DOUBLE LAP DOORS:	-4 1/4"
PIERCE LIFT-UP LAP DOORS:	-1 1/2"

(EX: 60" F-F - 2 1/4" = 57 3/4" CLEAR)
 (F-F) = FRAME TO FRAME

CUSTOMER APPROVAL			JOB NO.	36914
APPROVED BY:	DATE:		SCALE	DATE
		TITLE	HEAVY DUTY RESCUE NON-WALKIN	
		MAKE	PIERCE	
		FOR	CONSOLIDATED NUCLEAR SECURITY LLC-Y-12 NATIONAL SECURITY BID #1098	
		MODEL	AX6720	
REV	DATE	BY	CH	
	17JAN22	DHE	CDK	
		DWG NO.	36914AD	
		CHECKED BY	CDK	10JAN22
		SHEET SIZE	D	SHEET NO. 1 OF 1