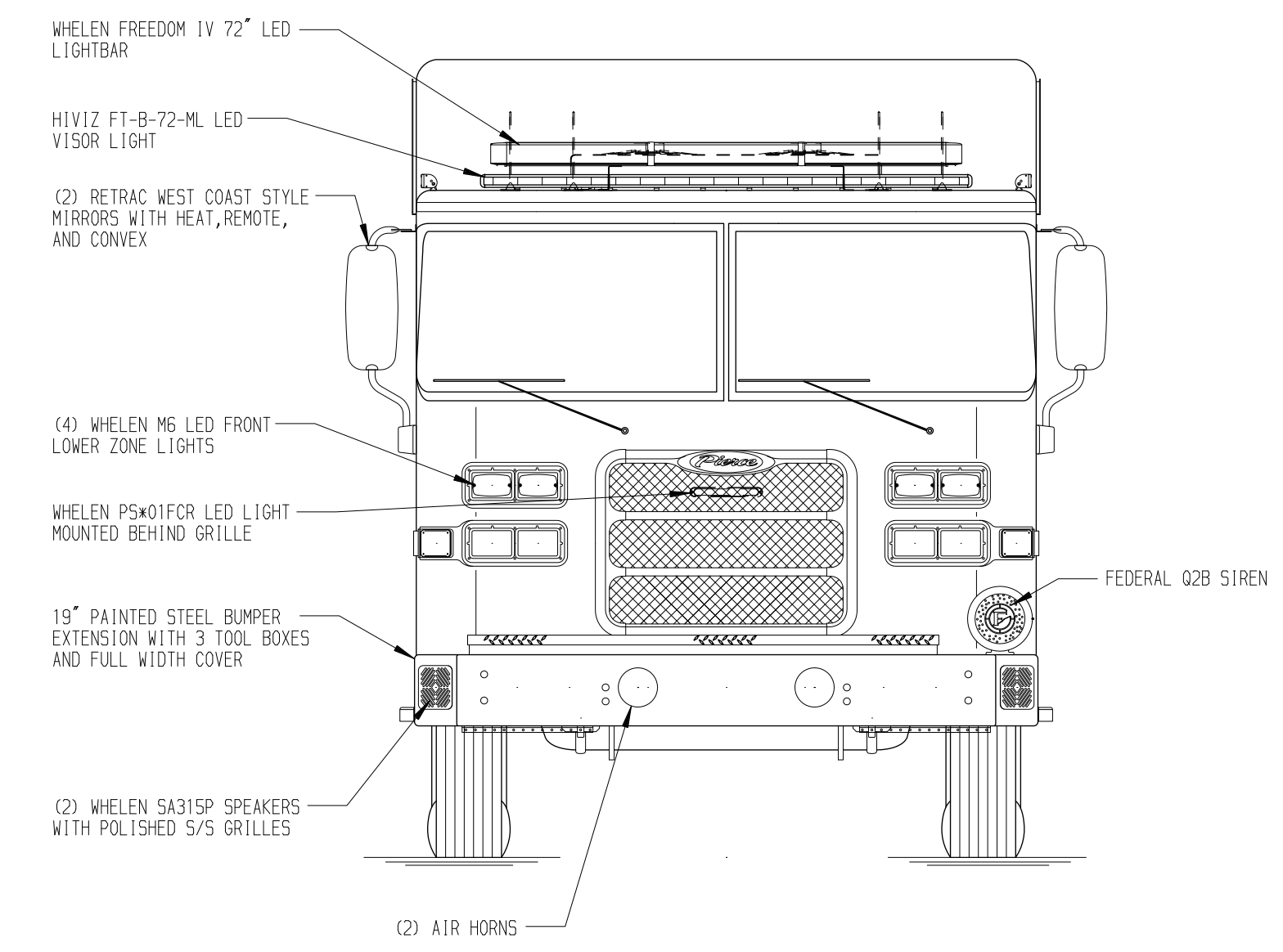
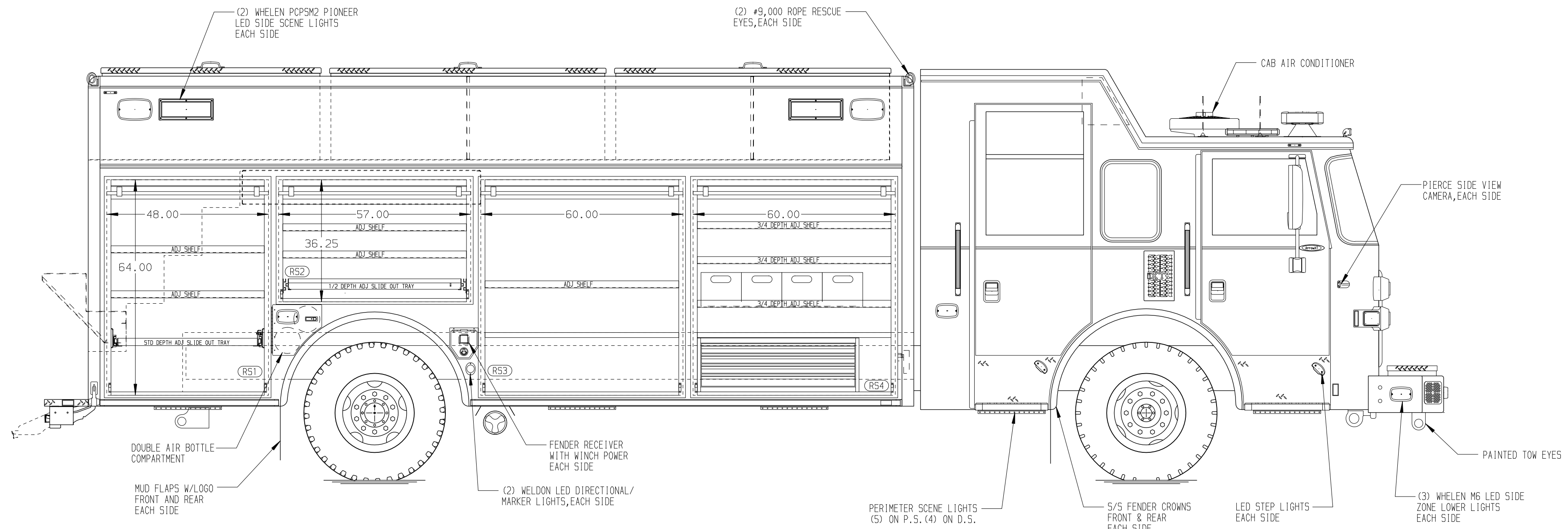


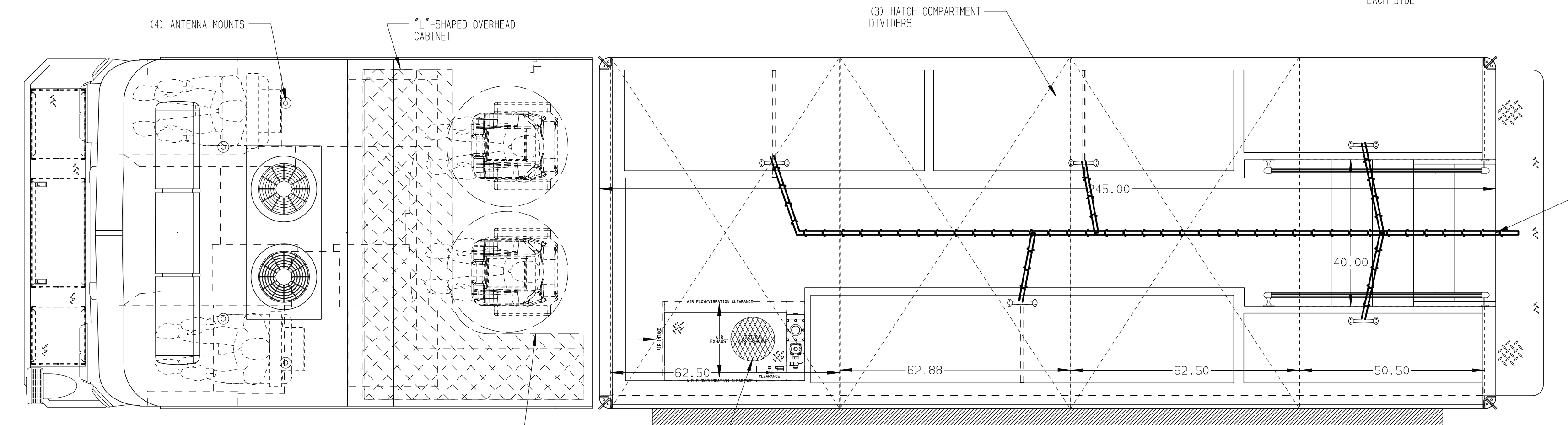
**RIGHT SIDE COMPARTMENTS CONTAIN THE FOLLOWING:**

- COMPARTMENT RS1 CONTAINS:
  - (2) STANDARD DEPTH ADJ SHELVES
  - (1) STD DEPTH ADJ SLIDE OUT TRAY
- COMPARTMENT RS2 CONTAINS:
  - (2) 1/2 DEPTH ADJ SHELVES
  - (1) 1/2 DEPTH ADJ SLIDE OUT TRAY
- COMPARTMENT RS3 CONTAINS:
  - (1) HORIZONTAL FLOOR EXTENSION
  - (1) 1/2 DEPTH ADJ SHELF
- COMPARTMENT RS4 CONTAINS:
  - (1) CAB LIFT CONTROLLER
  - (1) HORIZONTAL FLOOR EXTENSION
  - (1) 4-DRAWER C-TECH CABINET
  - (4) POLY TOOL BOXES



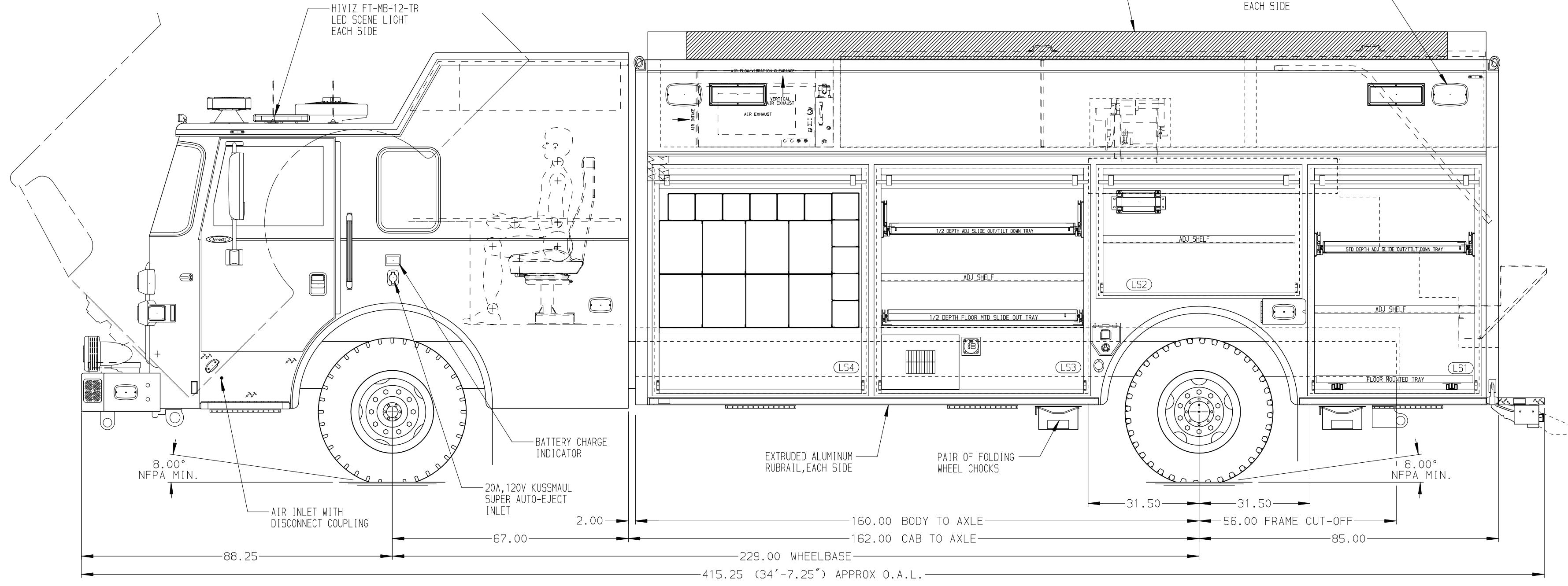
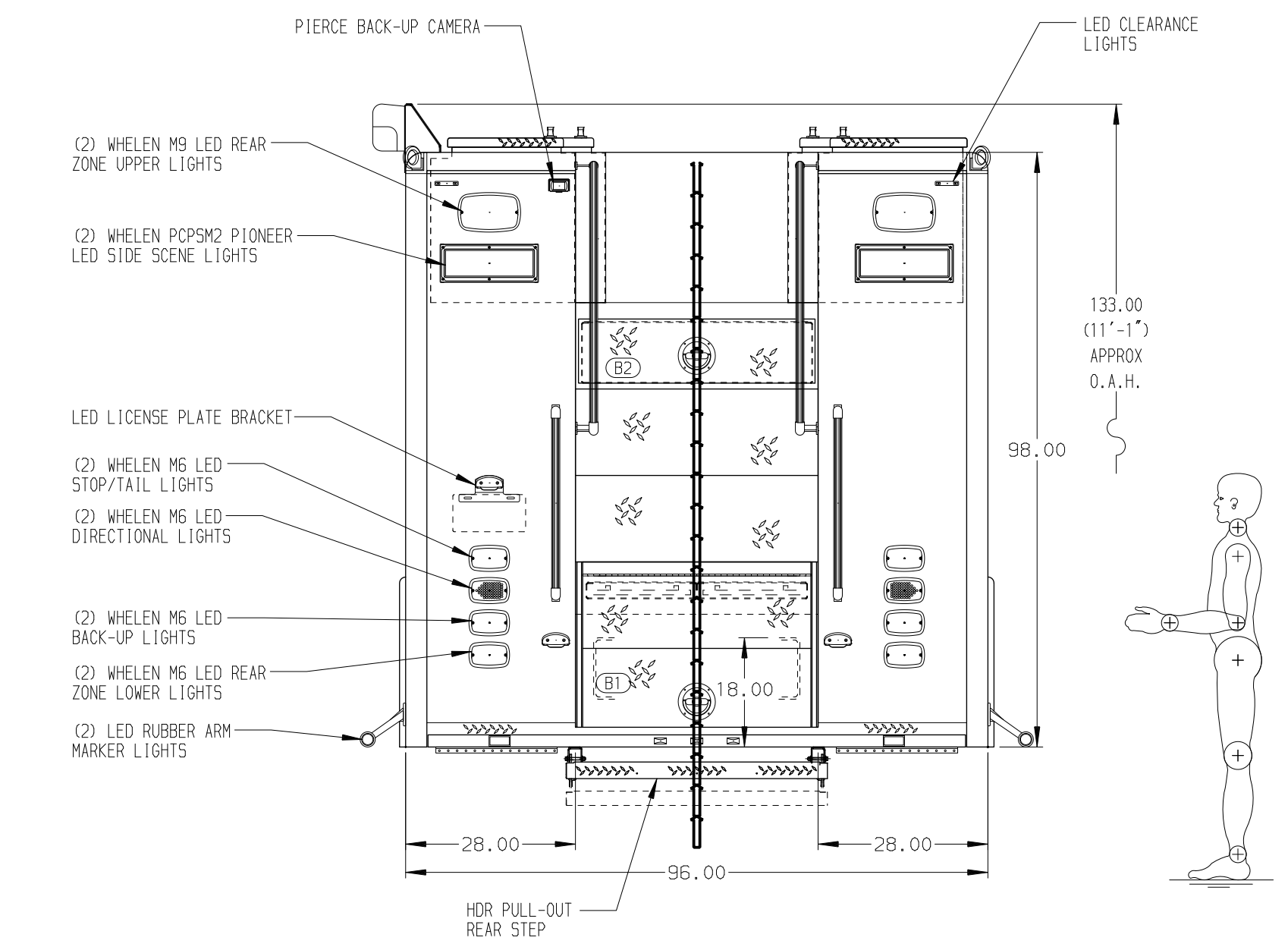
**REAR COMPARTMENT CONTAINS THE FOLLOWING:**

- COMPARTMENT B1 CONTAINS:
  - (1) RACK FOR 2 STOKES BASKETS
- COMPARTMENT B2 CONTAINS:
  - (1) EQUIPMENT STORAGE COMPARTMENT



**LEFT SIDE COMPARTMENTS CONTAIN THE FOLLOWING:**

- COMPARTMENT LS1 CONTAINS:
  - (1) STANDARD DEPTH ADJ SHELF
  - (1) STD DEPTH ADJ SLIDE OUT/TILT TRAY
  - (1) FLOOR MOUNTED TRAY
- COMPARTMENT LS2 CONTAINS:
  - (1) 1/2 DEPTH ADJ SHELF
  - (1) ELECTRIC CORD REEL WITH 200' OF 10/3 YELLOW CORD
- COMPARTMENT LS3 CONTAINS:
  - (1) HORIZONTAL FLOOR EXTENSION
  - (1) 1/2 DEPTH ADJ SHELF
  - (1) 1/2 DEPTH ADJ SLIDE OUT/TILT TRAY
  - (1) 1/2 DEPTH FLOOR MTD SLIDE OUT TRAY
  - (1) CIRCUIT BREAKER PANEL
  - (1) GENERATOR METER PANEL
- COMPARTMENT LS4 CONTAINS:
  - (1) 10TA 75 AMP CHARGER WITH INDICATOR
  - (1) HORIZONTAL FLOOR EXTENSION
  - (1) RACK FOR 13 SCBA BOTTLES



**NOTE**  
DIMENSIONS SHOWN ARE APPROXIMATE AND ARE SUBJECT TO MINOR DEVIATIONS AS MAY OCCUR OR BE NECESSARY IN CONSTRUCTION. MINOR DETAILS NOT SHOWN.

- NOTES:**
- ONSPOT AUTOMATIC TIRE CHAINS
  - POLISHED 5/5 SCUFFPLATES ON CAB AND CREW CAB DOOR JAMBS
  - FLOOR IN CAB AND CREW CAB TO BE PADDED RUBBER
  - 5/5 "L"-SHAPED GUARDS ON ALL BODY ROLL-UP DOORS
  - PIERCE LED STRIP LIGHTS IN ALL BODY AND HATCH COMPARTMENTS
  - DRY-DECK MATTING ON ALL SHELVES, TRAYS, AND COMPARTMENT FLOORS
  - (1) 15/20A, 120V DUPLEX RECEPTACLE LOCATED ABOVE SHELF IN CREW CAB
  - (2) 15/20A, 120V RECEPTACLES LOCATED AT COMMAND DESK
  - (2) 15/20A, 120V RECEPTACLES LOCATED IN OVERHEAD CABINET

MAXIMUM O.A.H. 11'-6"

SIDE ROLL AND FRONTAL IMPACT PROTECTION

**CLEAR DOOR WIDTH KEY**

AMOR ROLL UP DOORS:	-2 1/4"
CURTAIN ROLL UP DOORS:	-2 1/2"
PIERCE DOUBLE LAP DOORS:	-4 1/4"
PIERCE LIFT-UP LAP DOORS:	-1 1/2"

(EX: 60" F-F - 2 1/4" = 57 3/4" CLEAR)  
(F-F) = FRAME TO FRAME

**CUSTOMER APPROVAL**

APPROVED BY: \_\_\_\_\_  
DATE: \_\_\_\_\_

REV	DATE	BY	CH

**Pierce MANUFACTURING INC.**

TITLE: HEAVY DUTY RESCUE NON-WALKIN  
FOR: CONSOLIDATED NUCLEAR SECURITY LLC-Y-12 NATIONAL SECURITY BID #1174  
JAMES BELL

DWG NO. 36915AD

JOB NO.	36915
SCALE	1:24
DATE	
DRAWN BY	DHE
CHECKED BY	CDK
SHEET SIZE	SHEET NO.
D	1 OF 1