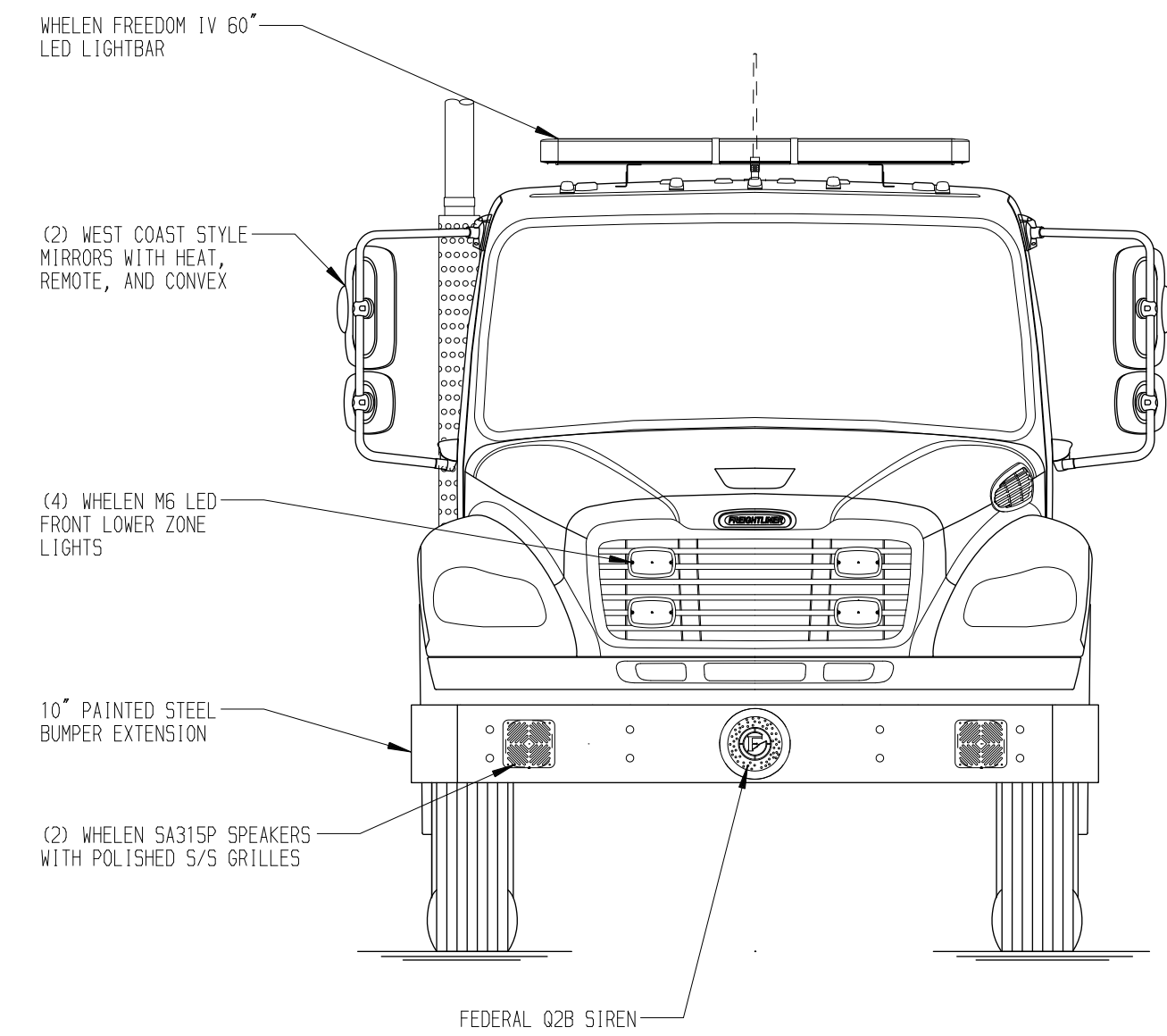
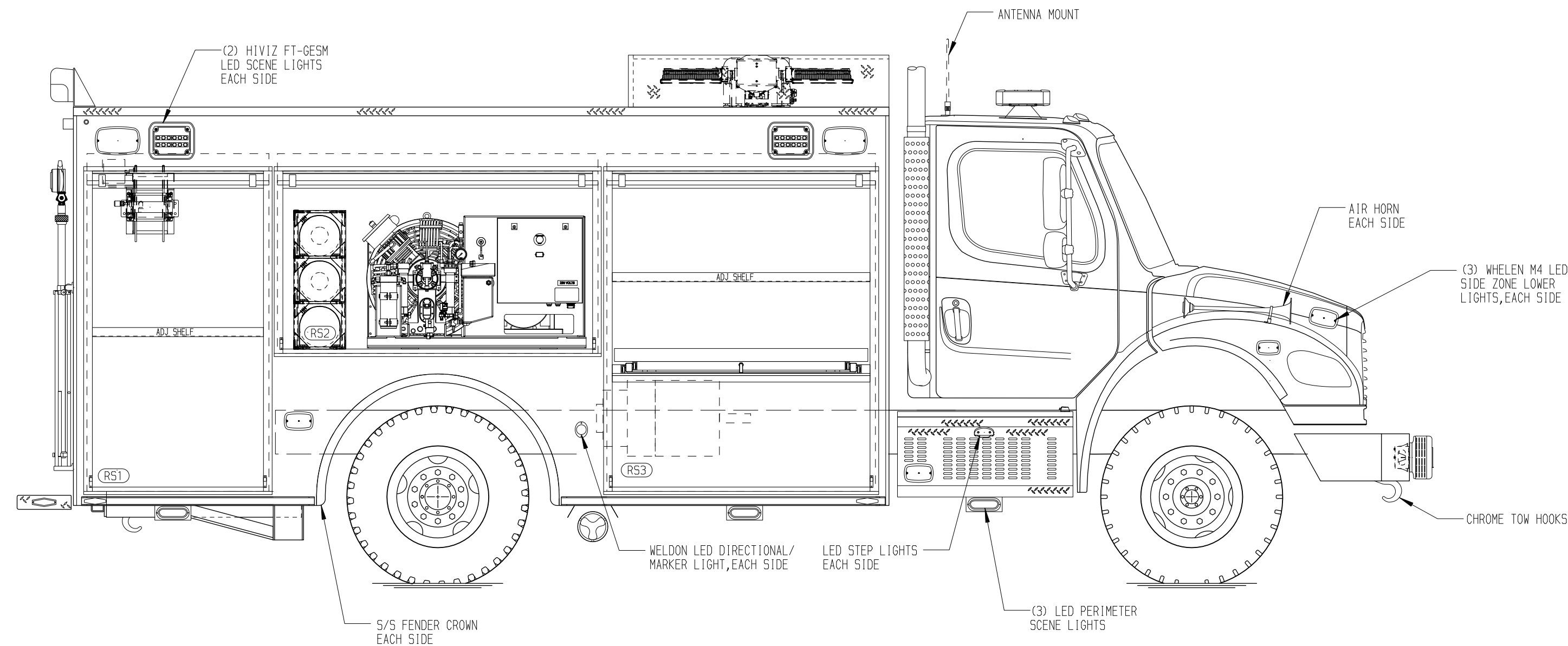


RIGHT SIDE COMPARTMENTS CONTAIN THE FOLLOWING:

- COMPARTMENT RS1 CONTAINS:
 - (1) 22" DP ADJ SHELF
 - (1) LOW PRESSURE AIR REEL W/150' OF HOSE
 -
 -

- COMPARTMENT RS2 CONTAINS:
 - (3) 6000 UN AIR STORAGE BOTTLES
 - (1) BAUER BP18H-E3 BREATHING AIR COMPRESSOR
 -
 -



- COMPARTMENT RS3 CONTAINS:
 - (1) HORIZONTAL FLOOR EXTENSION
 - (3) 42" DP ADJ SHELF
 - (1) 1/2 DEPTH SLIDEMASTER TRAY
 -
 -

- COMPARTMENT RS2 CONTAINS:
 - (3) 6000 UN AIR STORAGE BOTTLES
 - (1) BAUER BP18H-E3 BREATHING AIR COMPRESSOR
 -
 -

- COMPARTMENT RS1 CONTAINS:
 - (1) 22" DP ADJ SHELF
 - (1) LOW PRESSURE AIR REEL W/150' OF HOSE
 -
 -

- COMPARTMENT RS3 CONTAINS:
 - (1) HORIZONTAL FLOOR EXTENSION
 - (3) 42" DP ADJ SHELF
 - (1) 1/2 DEPTH SLIDEMASTER TRAY
 -
 -

- COMPARTMENT RS2 CONTAINS:
 - (3) 6000 UN AIR STORAGE BOTTLES
 - (1) BAUER BP18H-E3 BREATHING AIR COMPRESSOR
 -
 -

- COMPARTMENT RS1 CONTAINS:
 - (1) 22" DP ADJ SHELF
 - (1) LOW PRESSURE AIR REEL W/150' OF HOSE
 -
 -

- COMPARTMENT RS3 CONTAINS:
 - (1) HORIZONTAL FLOOR EXTENSION
 - (3) 42" DP ADJ SHELF
 - (1) 1/2 DEPTH SLIDEMASTER TRAY
 -
 -

- COMPARTMENT RS2 CONTAINS:
 - (3) 6000 UN AIR STORAGE BOTTLES
 - (1) BAUER BP18H-E3 BREATHING AIR COMPRESSOR
 -
 -

- COMPARTMENT RS1 CONTAINS:
 - (1) 22" DP ADJ SHELF
 - (1) LOW PRESSURE AIR REEL W/150' OF HOSE
 -
 -

- COMPARTMENT RS3 CONTAINS:
 - (1) HORIZONTAL FLOOR EXTENSION
 - (3) 42" DP ADJ SHELF
 - (1) 1/2 DEPTH SLIDEMASTER TRAY
 -
 -

- COMPARTMENT RS2 CONTAINS:
 - (3) 6000 UN AIR STORAGE BOTTLES
 - (1) BAUER BP18H-E3 BREATHING AIR COMPRESSOR
 -
 -

- COMPARTMENT RS1 CONTAINS:
 - (1) 22" DP ADJ SHELF
 - (1) LOW PRESSURE AIR REEL W/150' OF HOSE
 -
 -

- COMPARTMENT RS3 CONTAINS:
 - (1) HORIZONTAL FLOOR EXTENSION
 - (3) 42" DP ADJ SHELF
 - (1) 1/2 DEPTH SLIDEMASTER TRAY
 -
 -

- COMPARTMENT RS2 CONTAINS:
 - (3) 6000 UN AIR STORAGE BOTTLES
 - (1) BAUER BP18H-E3 BREATHING AIR COMPRESSOR
 -
 -

- COMPARTMENT RS1 CONTAINS:
 - (1) 22" DP ADJ SHELF
 - (1) LOW PRESSURE AIR REEL W/150' OF HOSE
 -
 -

- COMPARTMENT RS3 CONTAINS:
 - (1) HORIZONTAL FLOOR EXTENSION
 - (3) 42" DP ADJ SHELF
 - (1) 1/2 DEPTH SLIDEMASTER TRAY
 -
 -

- COMPARTMENT RS2 CONTAINS:
 - (3) 6000 UN AIR STORAGE BOTTLES
 - (1) BAUER BP18H-E3 BREATHING AIR COMPRESSOR
 -
 -

- COMPARTMENT RS1 CONTAINS:
 - (1) 22" DP ADJ SHELF
 - (1) LOW PRESSURE AIR REEL W/150' OF HOSE
 -
 -

- COMPARTMENT RS3 CONTAINS:
 - (1) HORIZONTAL FLOOR EXTENSION
 - (3) 42" DP ADJ SHELF
 - (1) 1/2 DEPTH SLIDEMASTER TRAY
 -
 -

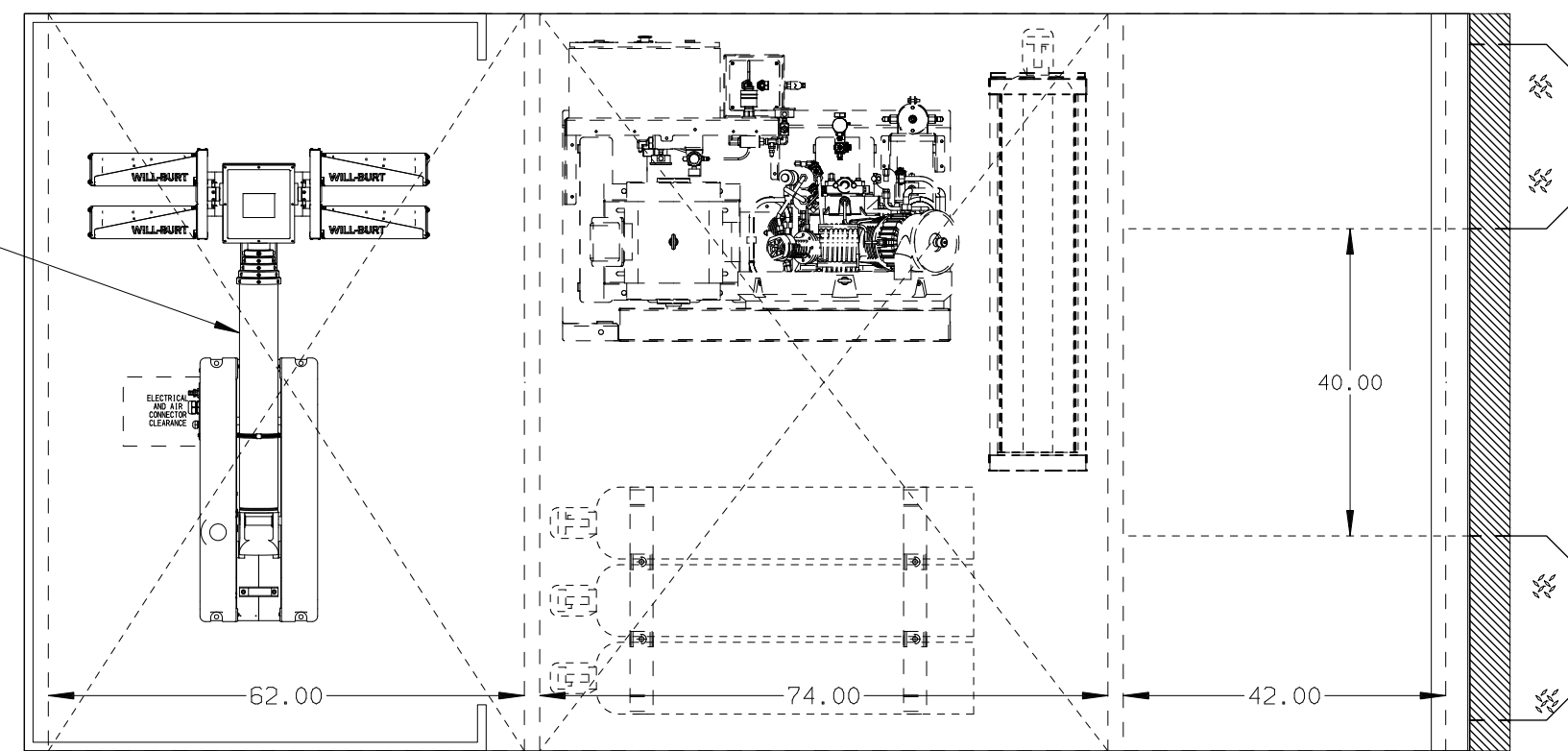
- COMPARTMENT RS2 CONTAINS:
 - (3) 6000 UN AIR STORAGE BOTTLES
 - (1) BAUER BP18H-E3 BREATHING AIR COMPRESSOR
 -
 -

- COMPARTMENT RS1 CONTAINS:
 - (1) 22" DP ADJ SHELF
 - (1) LOW PRESSURE AIR REEL W/150' OF HOSE
 -
 -

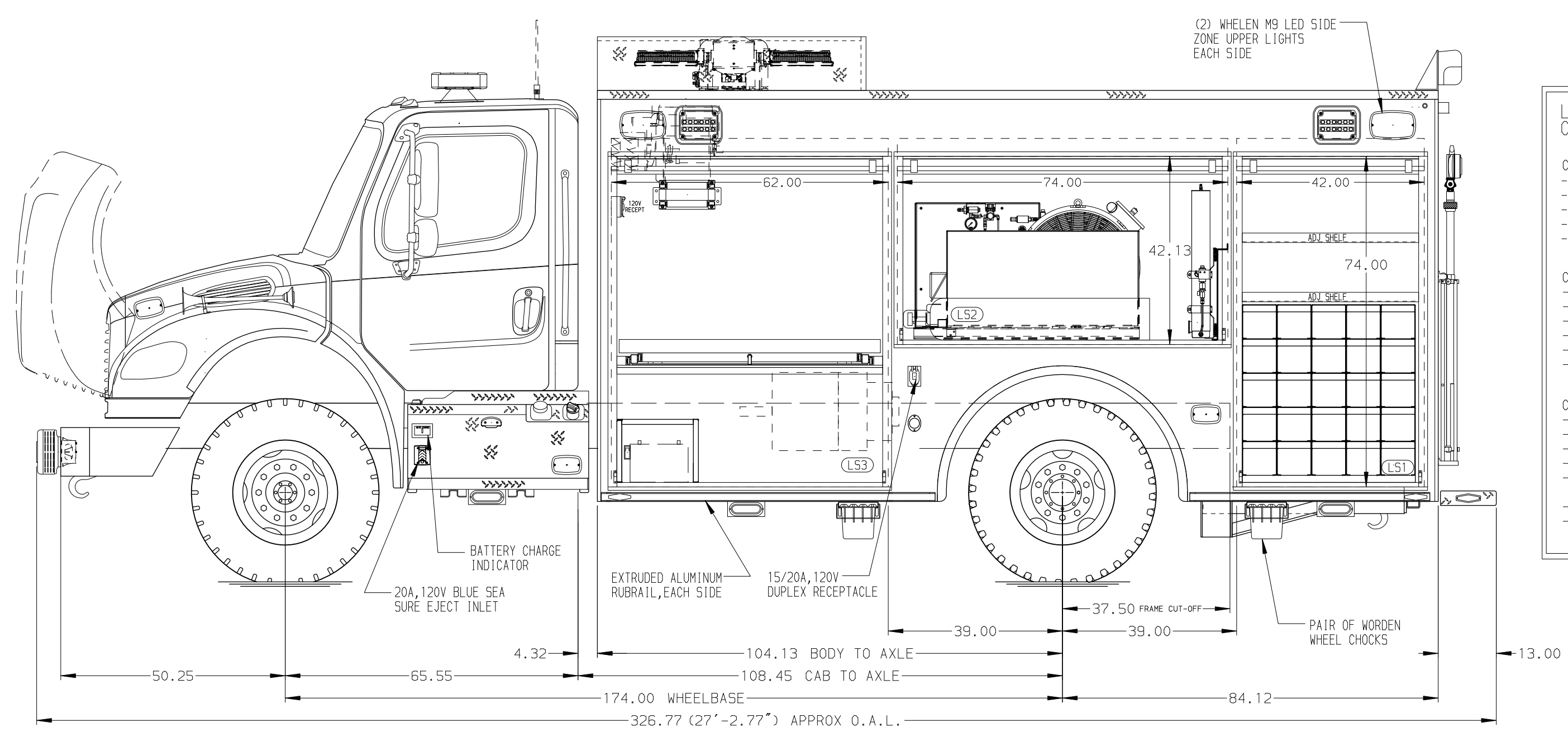
- COMPARTMENT RS3 CONTAINS:
 - (1) HORIZONTAL FLOOR EXTENSION
 - (3) 42" DP ADJ SHELF
 - (1) 1/2 DEPTH SLIDEMASTER TRAY
 -
 -

- COMPARTMENT RS2 CONTAINS:
 - (3) 6000 UN AIR STORAGE BOTTLES
 - (1) BAUER BP18H-E3 BREATHING AIR COMPRESSOR
 -
 -

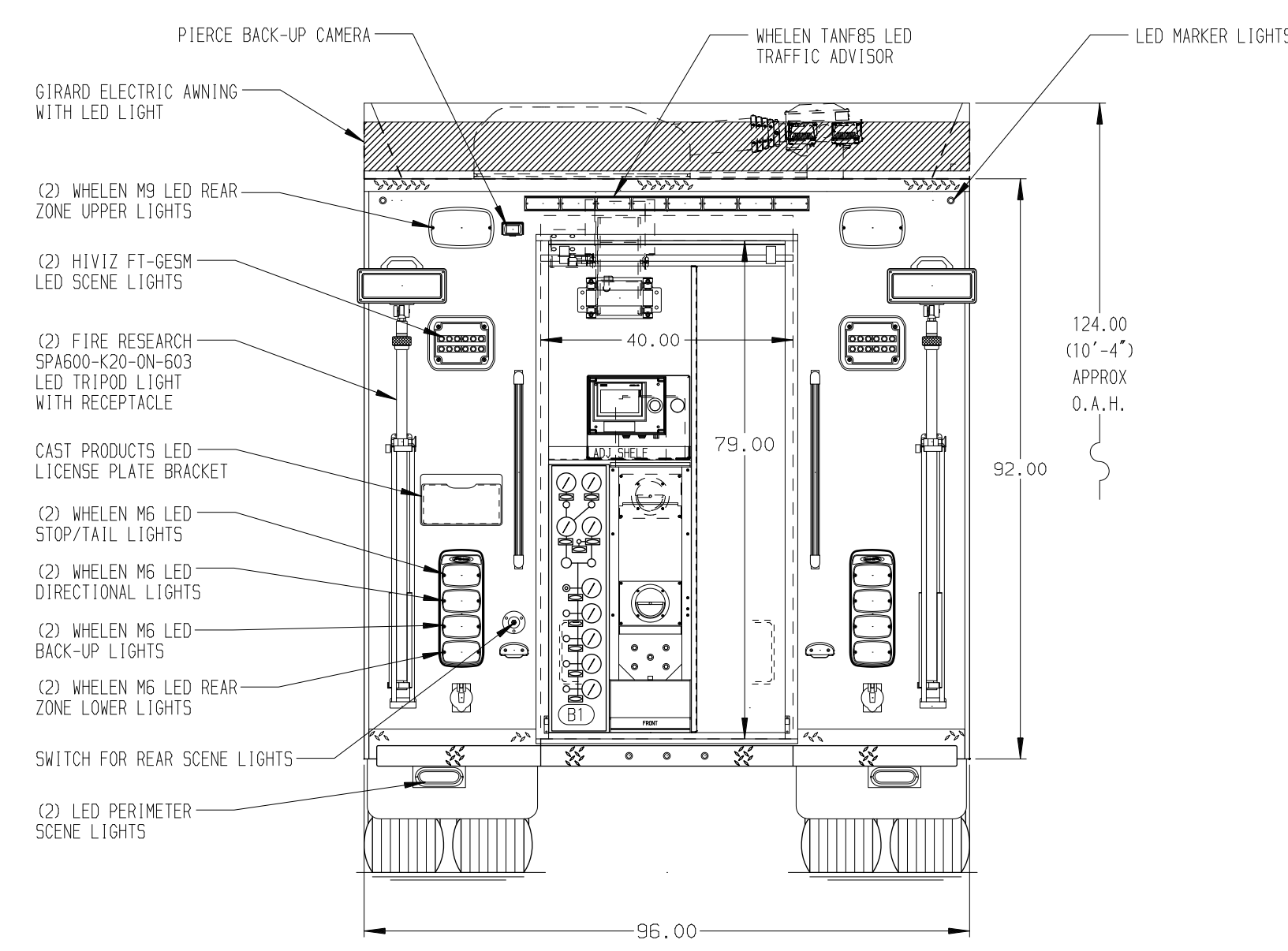
- COMPARTMENT RS1 CONTAINS:
 - (1) 22" DP ADJ SHELF
 - (1) LOW PRESSURE AIR REEL W/150' OF HOSE
 -
 -



- REAR COMPARTMENT CONTAINS THE FOLLOWING:**
- COMPARTMENT B1 CONTAINS:
 - (1) VERTICAL COMPARTMENT DIVIDER
 - (1) 40" DP ADJ SHELF
 - (1) "SPACE SAVER" 2-BOTTLE FILL ENCLOSURE
 - (1) CASCADE SYSTEM CONTROL PANEL
 - (1) HIGH PRESSURE AIR REEL W/150' OF HOSE
 - (1) BREATHING AIR COMPRESSOR CONTROLLER
 -
 -



- LEFT SIDE COMPARTMENTS CONTAIN THE FOLLOWING:**
- COMPARTMENT LS1 CONTAINS:
 - (1) RACK FOR 25 SCBA BOTTLES
 - (2) 22" DP ADJ SHELVES
 -
 -
- COMPARTMENT LS2 CONTAINS:
 - (1) COMPRESSOR CONTROLLER
 - BREATHING AIR PURIFIERS
 - (3) 6000 UN AIR STORAGE BOTTLES
 -
 -
- COMPARTMENT LS3 CONTAINS:
 - (2) CHASSIS BATTERIES
 - (1) 107A 45 AMP BATTERY CHARGER
 - (1) HORIZONTAL FLOOR EXTENSION
 - (1) 1/2 DEPTH SLIDEMASTER TRAY
 - (1) ELECTRIC CORD REEL WITH 200' OF 10/4 YELLOW CORD
 - (1) 15/20A, 120V DUPLEX RECEPTACLE
 -
 -



NOTE
 DIMENSIONS SHOWN ARE APPROXIMATE AND ARE SUBJECT TO MINOR DEVIATIONS AS MAY OCCUR OR BE NECESSARY IN CONSTRUCTION. MINOR DETAILS NOT SHOWN.

- NOTES:**
1. LIMA 40KW 3-PHASE PTO DRIVEN GENERATOR LOCATED BETWEEN THE FRAME RAILS
 2. PIERCE LED LIGHTS IN ALL BODY COMPARTMENTS
 3. RUBBER MATTING ON ALL BODY FLOORS AND SHELVES AND TRAYS

CLEAR DOOR WIDTH KEY

AMOR ROLL UP DOORS:	-2 1/4"
CORTITE ROLL UP DOORS:	-2 1/2"
PIERCE DOUBLE LAP DOORS:	-4 1/4"
PIERCE LIFT-UP LAP DOORS:	-1 1/2"

(EX: 60" F-F - 2 1/4" = 57 3/4" CLEAR)
 (F-F) = FRAME TO FRAME

CUSTOMER APPROVAL

APPROVED BY: _____
 DATE: _____

REV	DATE	BY	CH
01DEC21	DHE	CDK	

Pierce MANUFACTURING INC.

TITLE: ENCORE RESCUE VEHICLE
 62.74.42

FOR: WILMINGTON FIRE DEPARTMENT
 BID #1151

WADE FARRIOR

DWG NO. 36919AD

JOB NO.	36919
SCALE	1:24
DATE	
DRAWN BY	DHE
CHECKED BY	CDK
SHEET SIZE	D
SHEET NO.	1 OF 1

(SIDE ROLL PROTECTION)