

# Pumper, PUC

BODY  
Pumper, PUC, Aluminum  
CHASSIS  
Enforcer Chassis, PUC

## CHASSIS

AXLE, FRONT, CUSTOM  
18,000 Lb Dana Axle  
AXLE, REAR  
31,000 Lb Dana Axle

ENGINE  
400 HP Cummins L9 Engine

TRANSMISSION  
Allison 5th Gen, 3000 EVS P

BUMPER  
19" Extended Underslung

CAB  
7010 Enforcer Cab, PUC

## BODY

WATER TANK  
750 Gallon Poly Water Tank  
COMPT, PUMPER, REAR  
40.50" FF RollUp Rear Compt w/Tailboard, PUC  
COMPT, PUMPER, LEFT SIDE  
189" RollUp Full Height & Depth Front & Rear, PUC  
COMPT, PUMPER, RIGHT SIDE  
189" RollUp Full Height & Depth Front & Rear, PUC

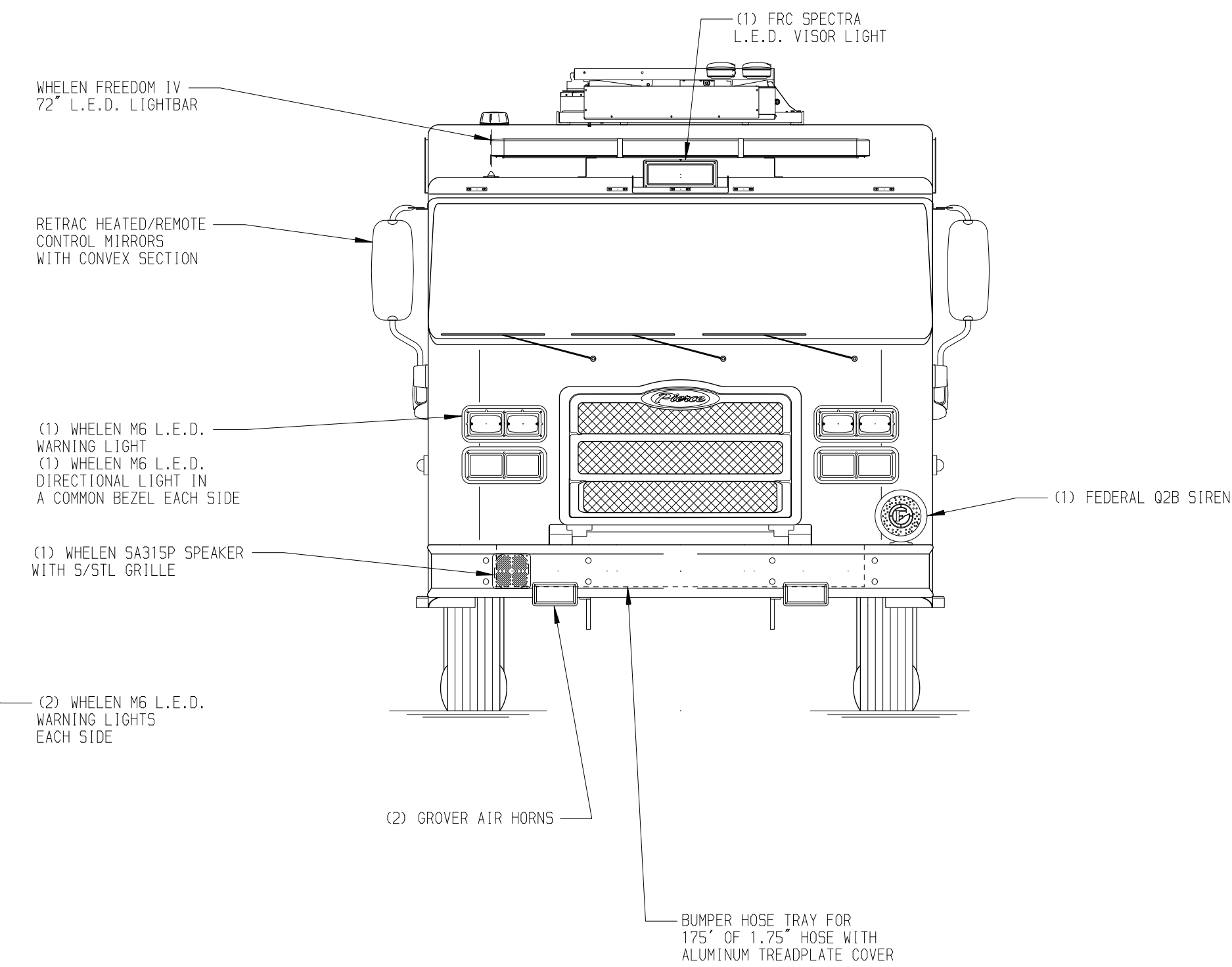
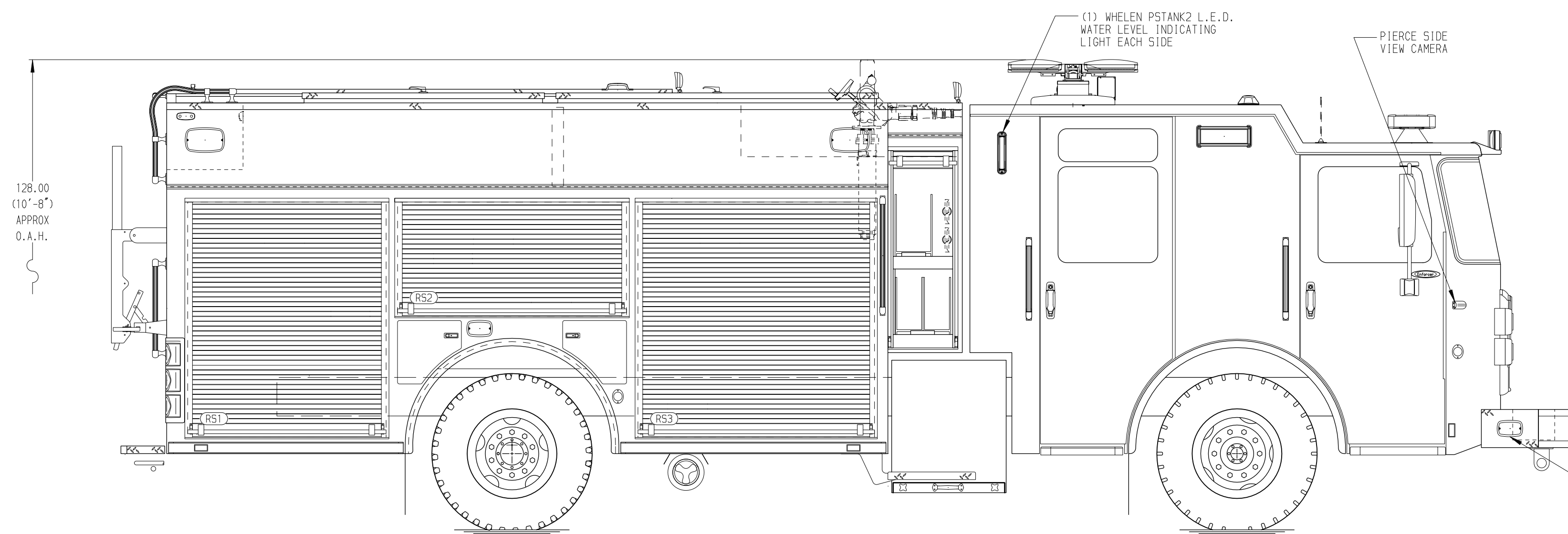
## FIRE SUPPRESSION

PUMPHOUSE  
Control Zone, PUC  
PUMP  
1500 GPM Pierce PUC  
CROSSLAYS, 1.50"  
(2) 1.50", Poly Trays, 200'  
CROSSLAYS, 2.50"  
(1) 2.50", Poly Tray, 200'  
GENERATOR  
Generator Not Required  
Foam System  
Husky 3 Single Agent Foam System  
Foam Cell  
20 Gallon Foam Cell, Not Reduced Water, PUC

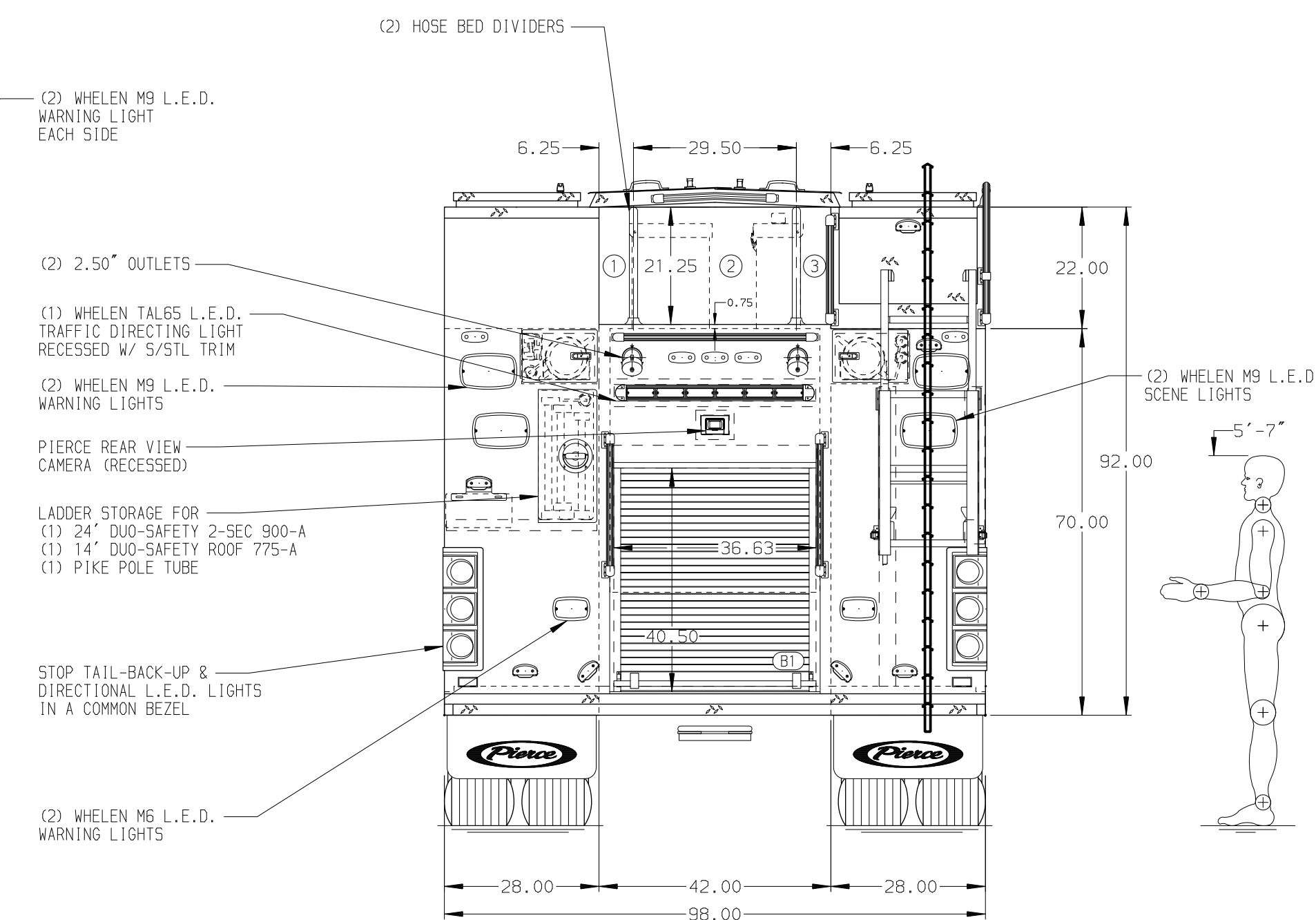
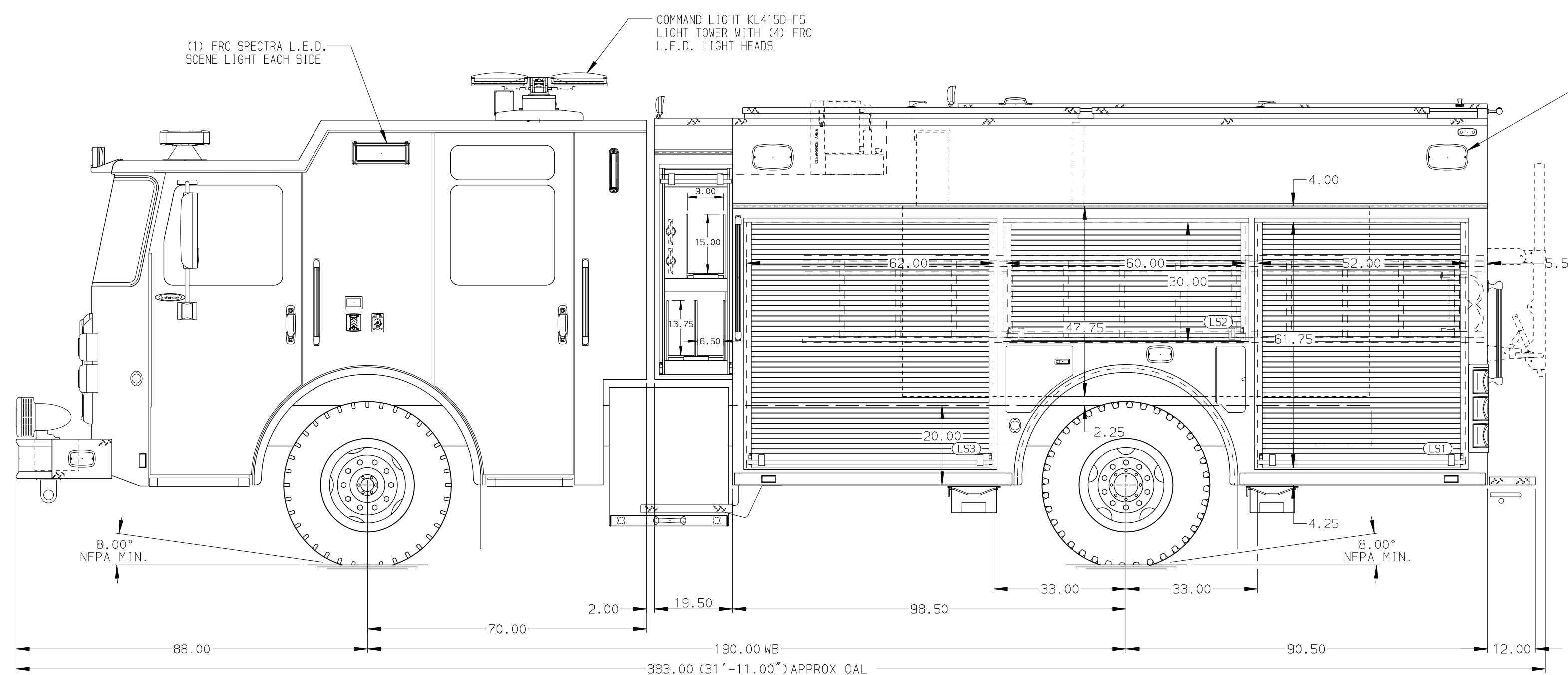
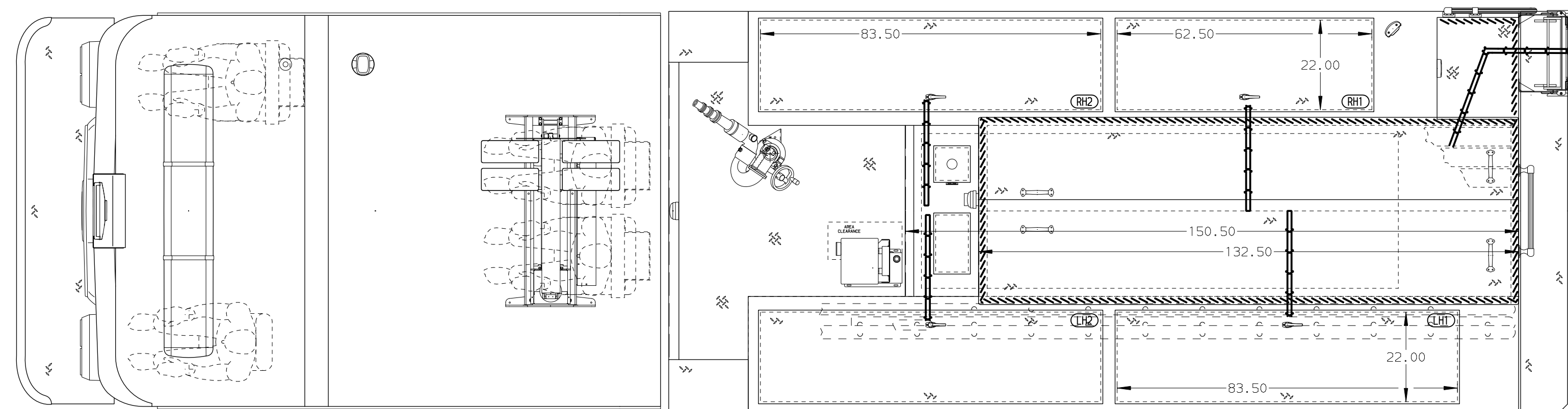
**NOTE**  
DIMENSIONS SHOWN ARE APPROXIMATE AND ARE SUBJECT TO MINOR DEVIATIONS AS MAY OCCUR OR BE NECESSARY IN CONSTRUCTION. MINOR DETAILS NOT SHOWN.

1. ONE 1.50" OUTLET WITH 2.00" PIPING AND SWIVEL LOCATED IN BUMPER TRAY  
2. SHORELINE RECEPTACLE WITH BLUE SEA AURE EJECT LOCATED ON DRIVER SIDE OF THE CAB  
3. AIR INLET KUSMUIJ AIR EJECT LOCATED ON DRIVER SIDE OF THE CAB  
4. BATTERY CHARGER LOCATED IN EMS COMPARTMENT PER SHOP ORDER  
5. BATTERY CHARGE INDICATOR LOCATED ON THE DRIVER SIDE OF CAB  
6. AUTOMATIC TIRE CHAINS  
7. FIVE ADJUSTABLE SHELVES LOCATED PER SHOP ORDER  
8. THREE FLOOR MOUNTED SLIDE-OUT TRAYS IN COMPARTMENT PER SHOP ORDER  
9. TWO TILTING/SLIDE-OUT TRAYS LOCATED PER SHOP ORDER  
10. ALUMINUM PEGBOARD LOCATED PER SHOP ORDER

11. ONE SLIDE-OUT TOOLBOARD LOCATED PER SHOP ORDER  
12. ONE SWING-OUT TOOLBOARD LOCATED PER SHOP ORDER  
13. ONE VERTICAL PARTITION LOCATED PER SHOP ORDER  
14. 3-SLOT AIR BAG RACK LOCATED PER SHOP ORDER  
15. TWO ZICO SCBA BRACKETS LOCATED PER SHOP ORDER  
16. THREE 120V DUPLEX RECEPTACLES LOCATED PER SHOP ORDER  
17. ENGEL REFRIGERATOR/FREEZER LOCATED IN CAB PER SHOP ORDER  
18. ONE TOOLBOARD ADDED TO SLIDE OUT TRAY LOCATED PER SHOP ORDER



HOSEBED CAPACITY	
BED 1	250' OF 2.50" D.J. POLY HOSE
BED 2	850' OF 5.00" D.J. POLY HOSE
BED 3	250' OF 2.50" D.J. POLY HOSE



		JOB NO.	36937
		SCALE	DATE
Pierce PUC Pumper Approval Drawing Newton Fire Department		DRAWN BY	MMF 13JUL21
		CHECKED BY	COL 13JUL21
DWG NO. 36937AD		SHEET SIZE	SHEET NO. 1 OF 1

REV	DATE	BY	CH	ENFORCER
03DEC21	MMF	DTJ		PIERCE
23SEP21	MMF	DTJ		MODEL