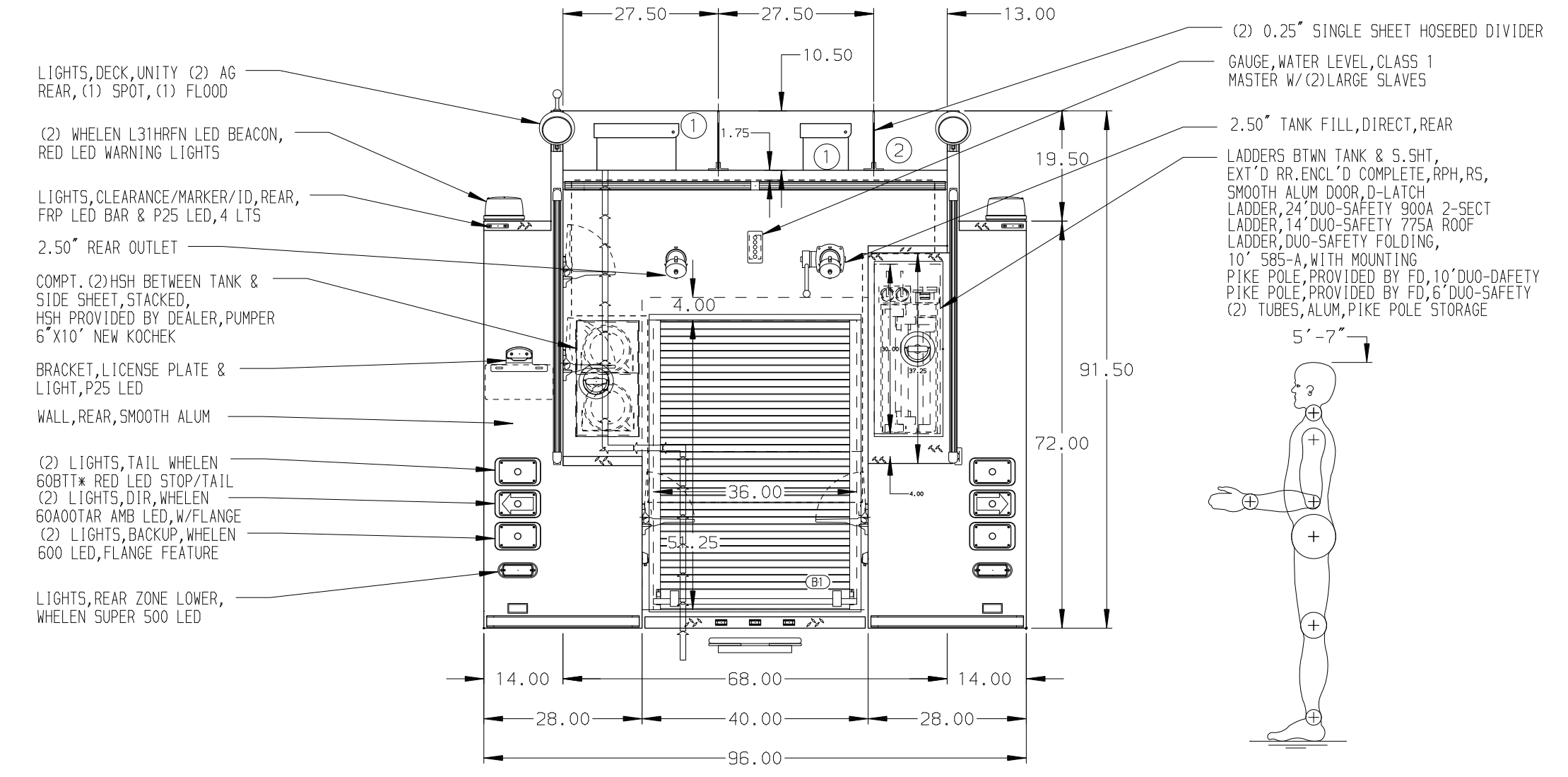
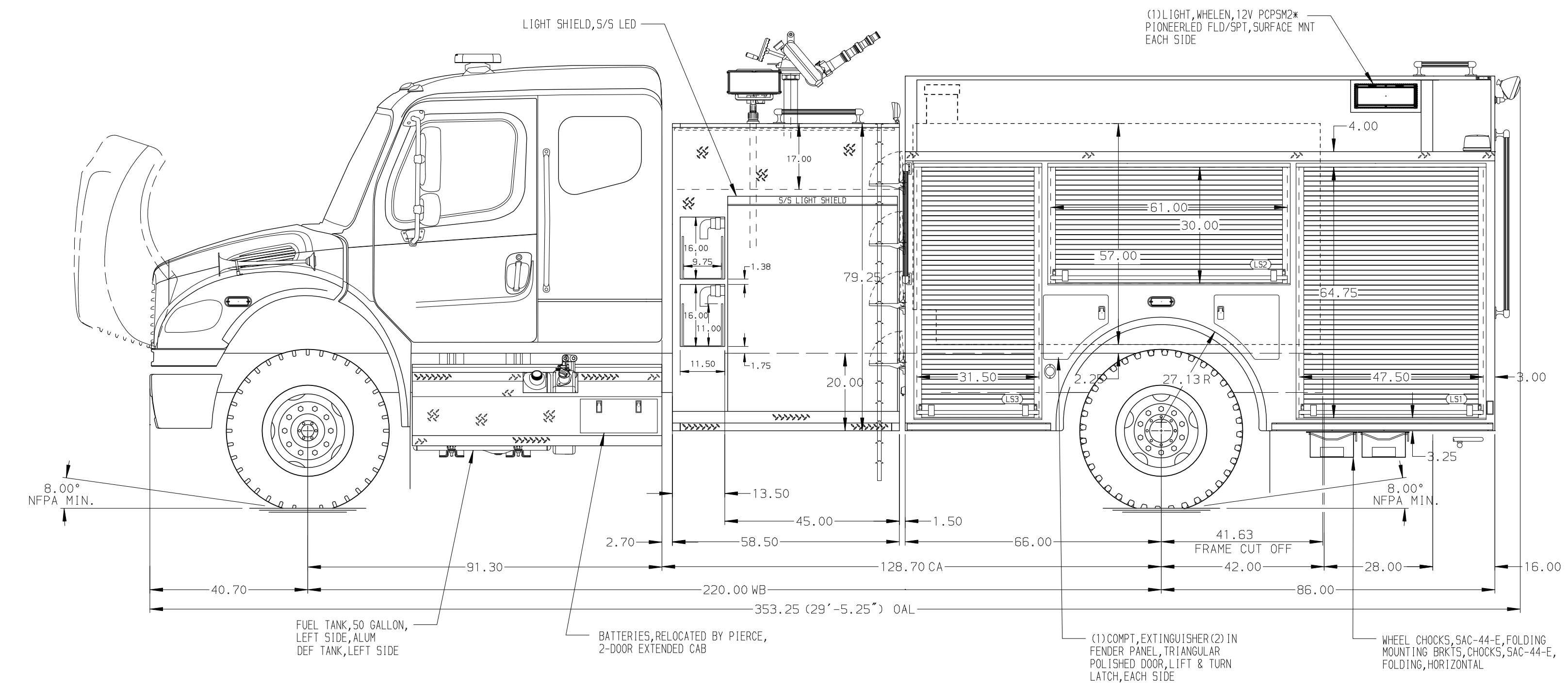


HOSEBED CAPACITIES

① 1500' OF 2.50" D.J. POLYESTER HOSE

② 400' OF 1.50" D.J. POLYESTER HOSE



NOTE
DIMENSIONS SHOWN ARE APPROXIMATE AND ARE SUBJECT TO MINOR DEVIATIONS AS MAY OCCUR OR BE NECESSARY IN CONSTRUCTION. MINOR DETAILS NOT SHOWN.

				Pierce MANUFACTURING INC.		JOB NO.	36944
						SCALE	DATE
						1:24	
						DRAWN BY	040CT21
						JLA	
						CHECKED BY	040CT21
						RWI	
						SHEET SIZE	SHEET NO.
						D	1 OF 1
REV	DATE	BY	CH	CHASSIS DATA	TITLE	1250-D-1000 POLY, 30 FOAM, 152" BODY, LS&RS FULL HEIGHT FRT&RR, FDLR, 45" SD CONTROL, (2) 1.5" SPDLYS W/PLOY TRAY	
06JAN22	JLA	NAS		MAKE	FOR	FAYETTE COUNTY TENNESSEE	
200CT21	JLA	RWI		FL		SOMERVILLE, TENNESSEE	
				MODEL	DWG NO.	36944AD	
				M2-106			