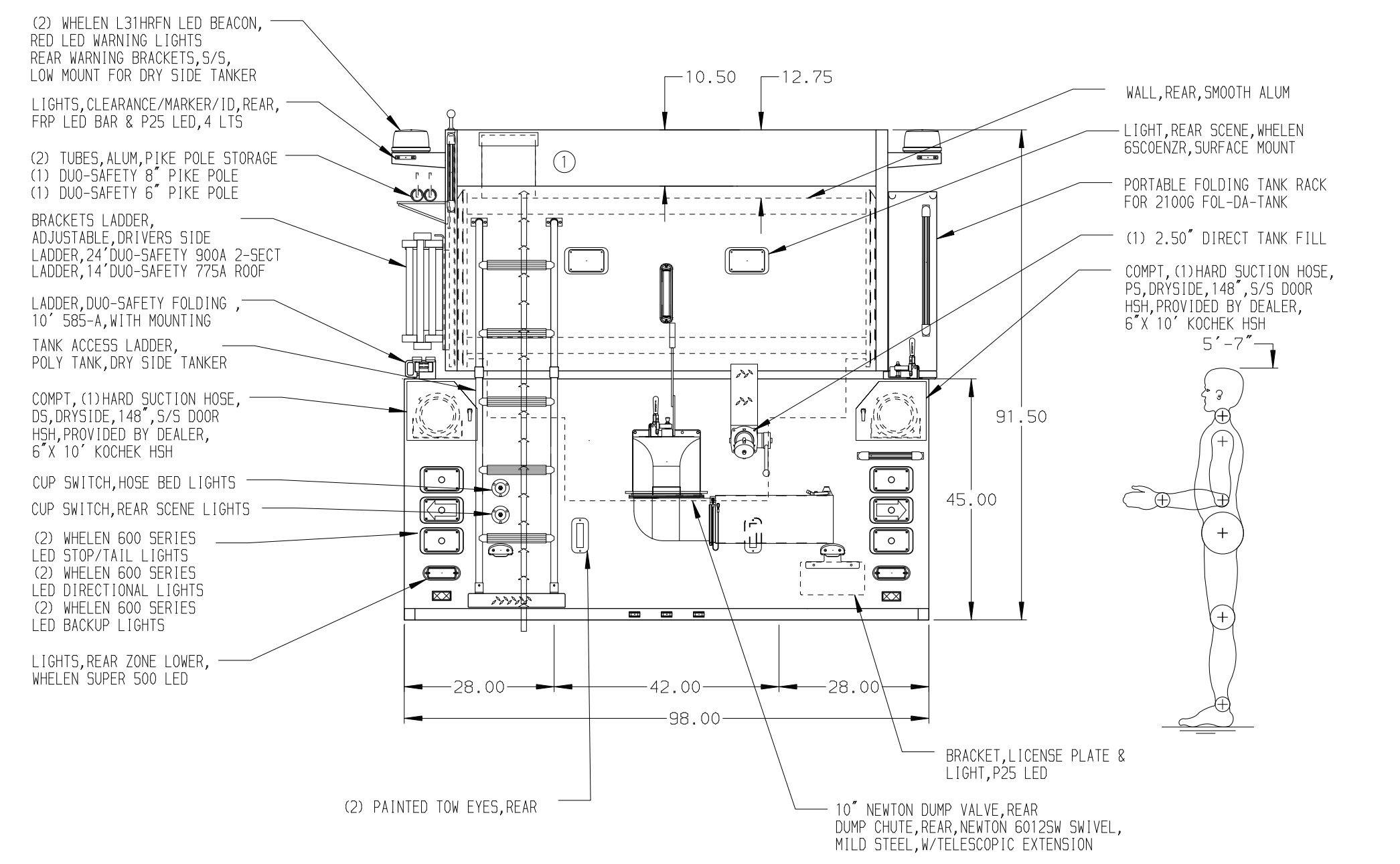
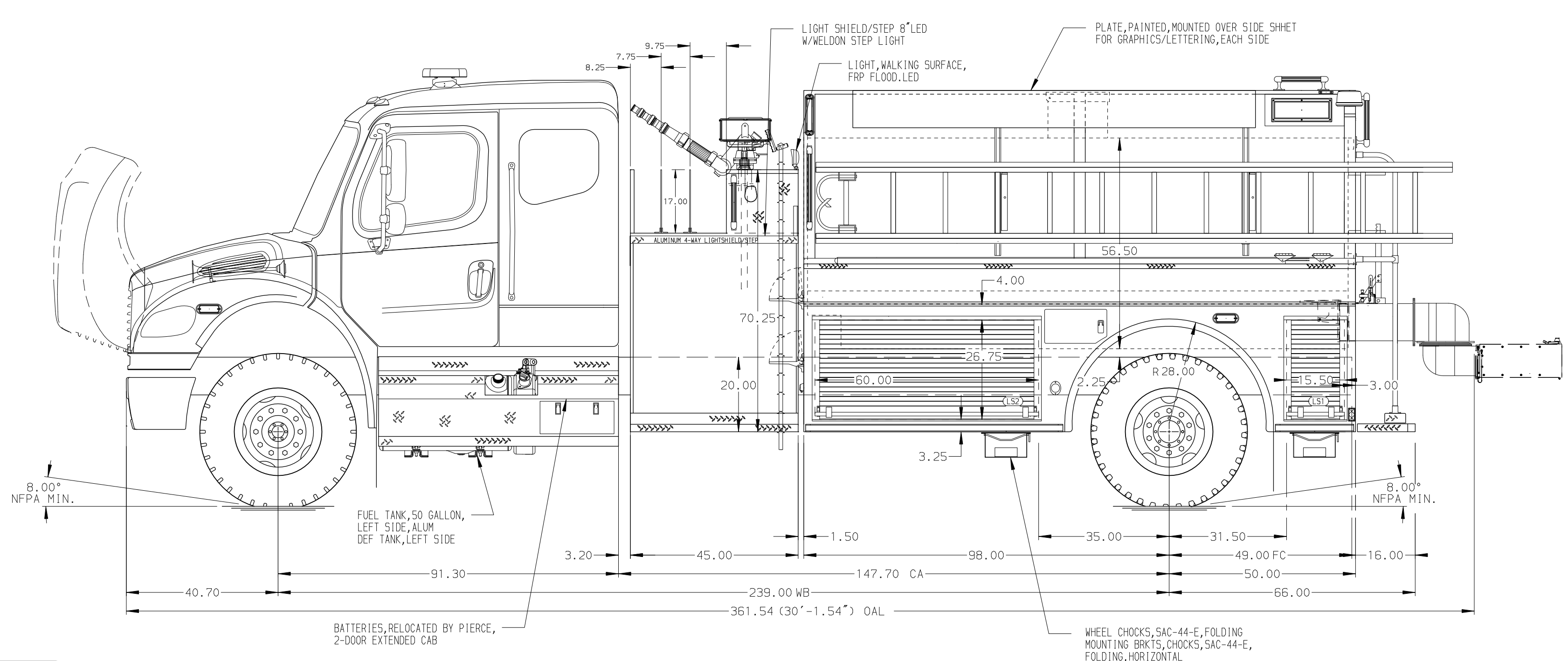


HOSEBED CAPACITIES
 (1) 200' OF 2.50" D.J. POLYESTER HOSE



ALUMINUM BODY

NOTE
 DIMENSIONS SHOWN ARE APPROXIMATE AND ARE SUBJECT TO MINOR DEVIATIONS AS MAY OCCUR OR BE NECESSARY IN CONSTRUCTION. MINOR DETAILS NOT SHOWN.

				CHASSIS DATA	TITLE	1250-D-2000 POLY, 148" DRYSIDE 45" SIDE CONTROL, (2) 1.5" CROSSLAYS, (1) DEADLAY	JOB NO.	36945	
				MAKE	FOR	FAYETTE COUNTY TENNESSEE SOMERVILLE, TENNESSEE	SCALE	1:24	DATE
				FL	DWG NO.	36945AD	DRAWN BY	JLA	110CT21
				MODEL	CHECKED BY	RWI	110CT21		
14JAN22	JLA	NAS		M2-106	SHEET SIZE	D	SHEET NO.	1 OF 1	
REV	DATE	BY	CH						