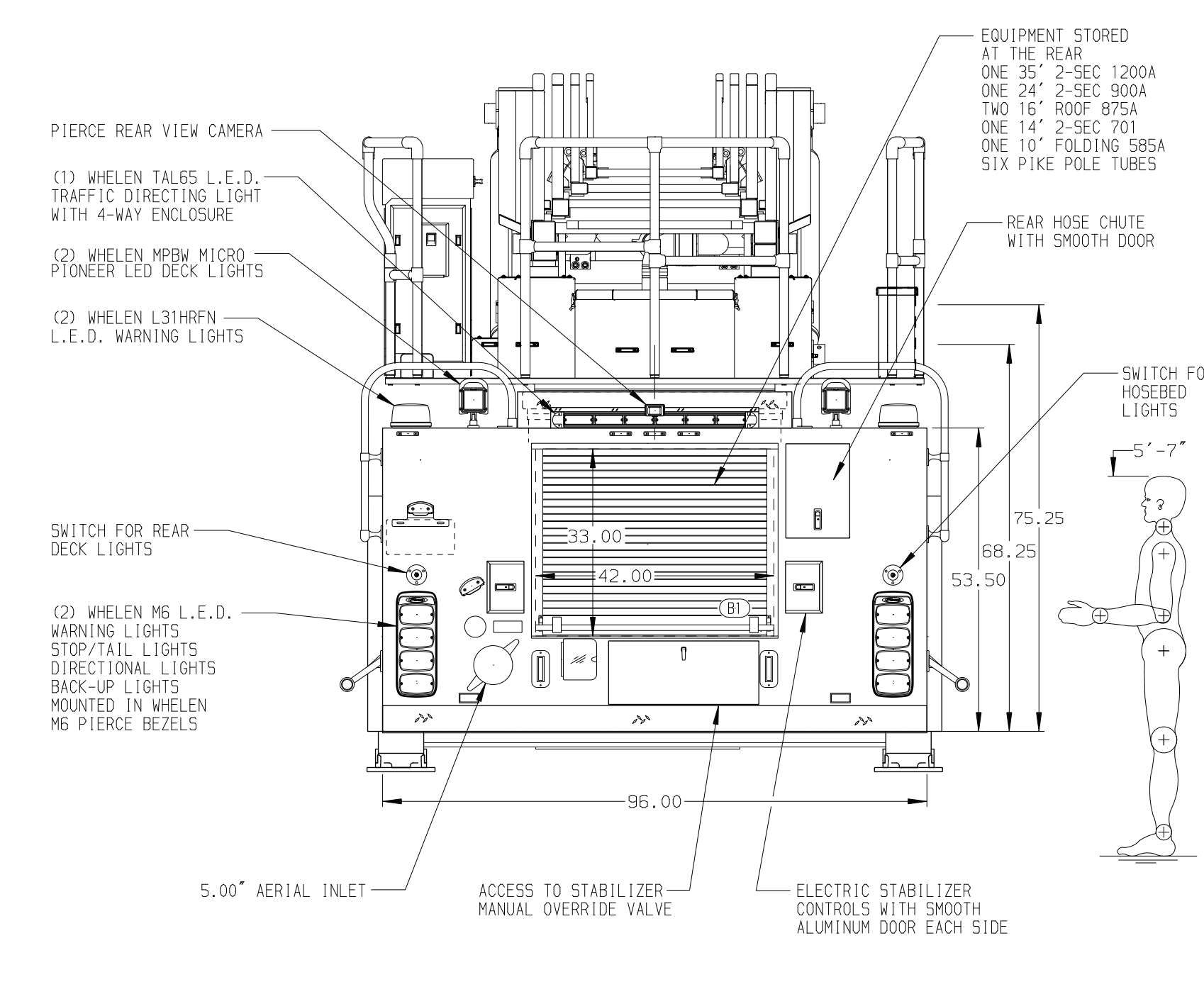


BODY Aerial, HD Ladder 105', Alum Body COMPT, LEFT SIDE FRONT FH/FD RollUp Forward w/o Chute COMPT, LEFT SIDE REAR FH/FD RollUp and Lift-up Rearward COMPT, RIGHT SIDE FRONT Full Height RollUp Forward COMPT, RIGHT SIDE REAR Full Height RollUp and Liftup Rearward	WATER TANK 480 Gallon PAL Notched Poly Water Tank Foam System Husky 3 Single Agent Foam System Foam Cell 20 Gallon Foam Cell, Reduced Water
---	---



CHASSIS Enforcer Chassis ENGINE 500 HP Cummins X12 Engine	CAB 7010 Notched Enforcer Cab BUMPER 19" Extended Stainless Steel	AXLE, FRONT, CUSTOM 22,800 Lb TAK-4 Axle AXLE, REAR 48,000 Lb Meritor Axle	TRANSMISSION Allison 5th Gen, 4500 EVS P	PUMPHOUSE 52" Control Zone Side Mount PUMP 2000 GPM Waterous CSU	CROSSLAYS, 1.50" (2) 1.50" Standard Capacity CROSSLAYS, 2.50" (1) 2.50" Standard Capacity	SPEEDLAYS Speedlays Not Required GENERATOR Generator Not Required	SAFETY Side Roll and Frontal Impact Protection	CUSTOMER APPROVAL APPROVED BY: _____ DATE: _____		JOB NO. 36951 SCALE 1:24 DATE _____ DRAWN BY TKA 12JUL21 CHECKED BY THS 14JUL21 SHEET SIZE D SHEET NO. 1 OF 1	
NOTE DIMENSIONS SHOWN ARE APPROXIMATE AND ARE SUBJECT TO MINOR DEVIATIONS AS MAY OCCUR OR BE NECESSARY IN CONSTRUCTION. MINOR DETAILS NOT SHOWN.											
1. ONE 1.50 OUTLET WITH 2.00 PIPING AND SWIVEL LOCATED IN CENTER BUMPER TRAY 2. SHORELINE RECEPTACLE WITH KUSSMAUL SUPER AUTO-EJECT LOCATED ON DRIVER SIDE BEHIND THE CREW CAB DOOR 3. AIR INLET WITH DISCONNECT COUPLING IN A RECESSED ALUMINUM TREADPLATE BOX IN THE DRIVER SIDE STEPWELL 4. BATTERY CHARGER LOCATED BEHIND DRIVER SEAT 5. BATTERY CHARGE INDICATOR LOCATED BEHIND DRIVER'S SEAT DISPLAYED THROUGH WINDOW 6. WHELEN 700DELZR L.E.D. LIGHT LOCATED AT THE FRONT OF THE HOSE BED 7. L.E.D. LIGHT STRIPS LOCATED IN THE HOSE BED PER SHOP ORDER 8. FOUR ADJUSTABLE SHELVES IN COMPARTMENTS PER SHOP ORDER 9. ONE ADJUSTABLE TILTING SLIDE-OUT TRAY IN COMPARTMENT PER SHOP ORDER 10. FOUR FLOOR MOUNTED SLIDE-OUT TRAYS IN COMPARTMENTS PER SHOP ORDER			11. ONE SWING-OUT TOOL BOARD WITH PEGBOARD PATTERN IN COMPARTMENT PER SHOP ORDER 12. ONE 120V DUPLEX RECEPTACLE IN EACH CAB EMS COMPARTMENT 13. 3.00" RAISED AERIAL PEDestal 14. LIFTING EYE RESCUE ATTACHMENT AT AERIAL TIP 15. 28.50" LIMITED RETRACTION REQUIRED 16. TURNABLE SHORTENED RIGHT SIDE 17. MOUNTING PROVISIONS FOR FRONT INLET							CHASSIS DATA MAKE PIERCE MODEL ENFORCER	TITLE 105' AERIAL LADDER AND BODY ASSEMBLY FOR PIERCE FIELD UNIT APPLETON, WISCONSIN DWG NO. 36951AD