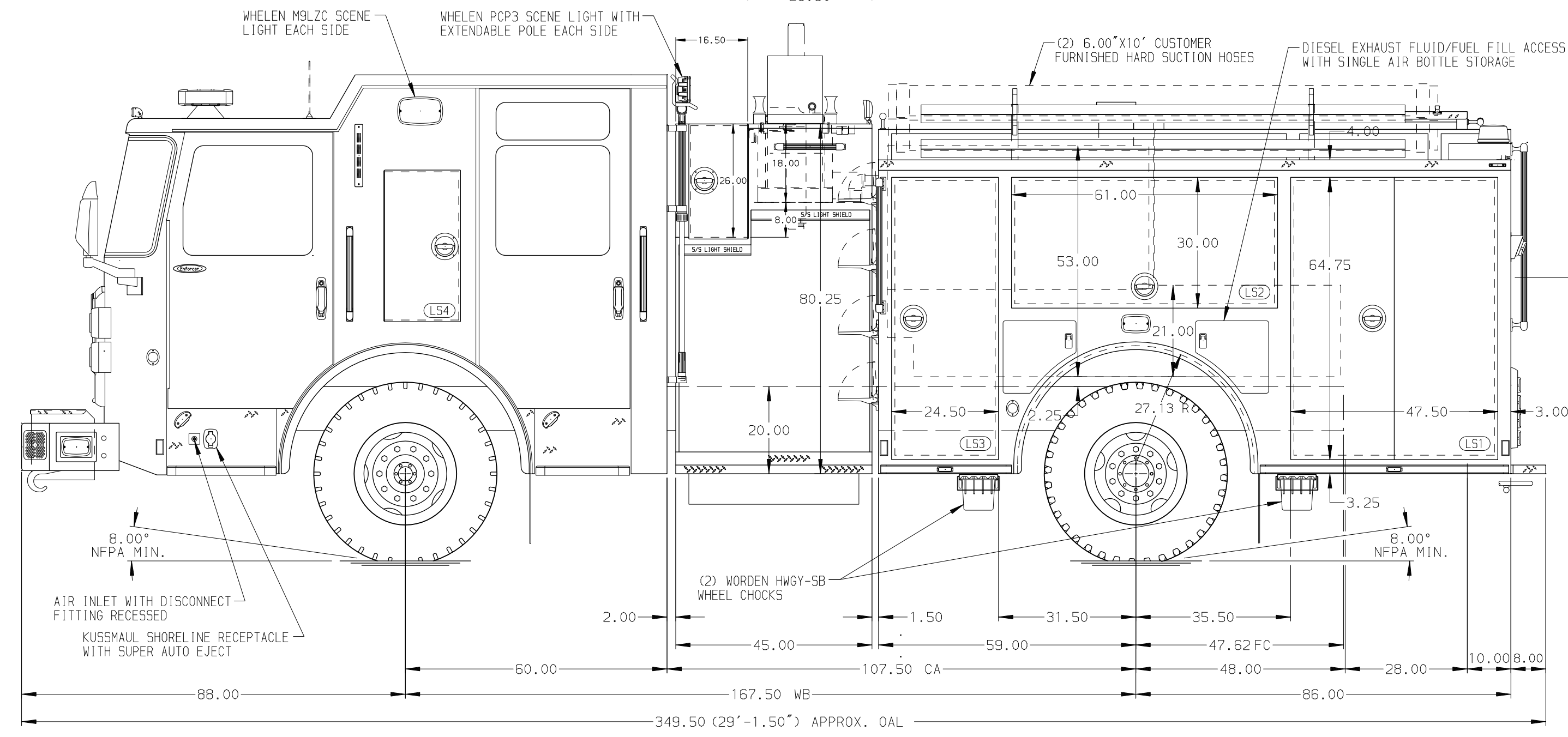
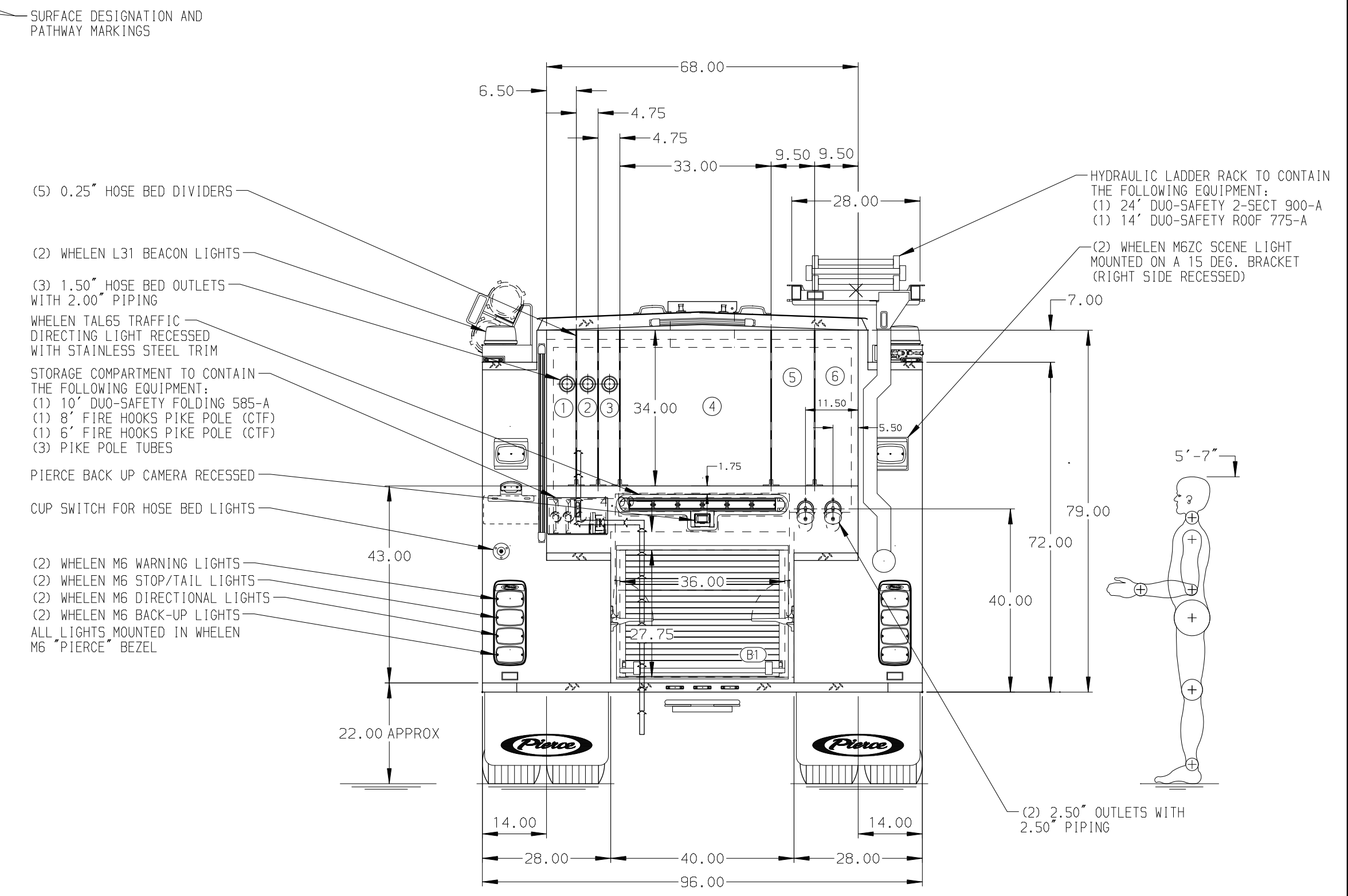
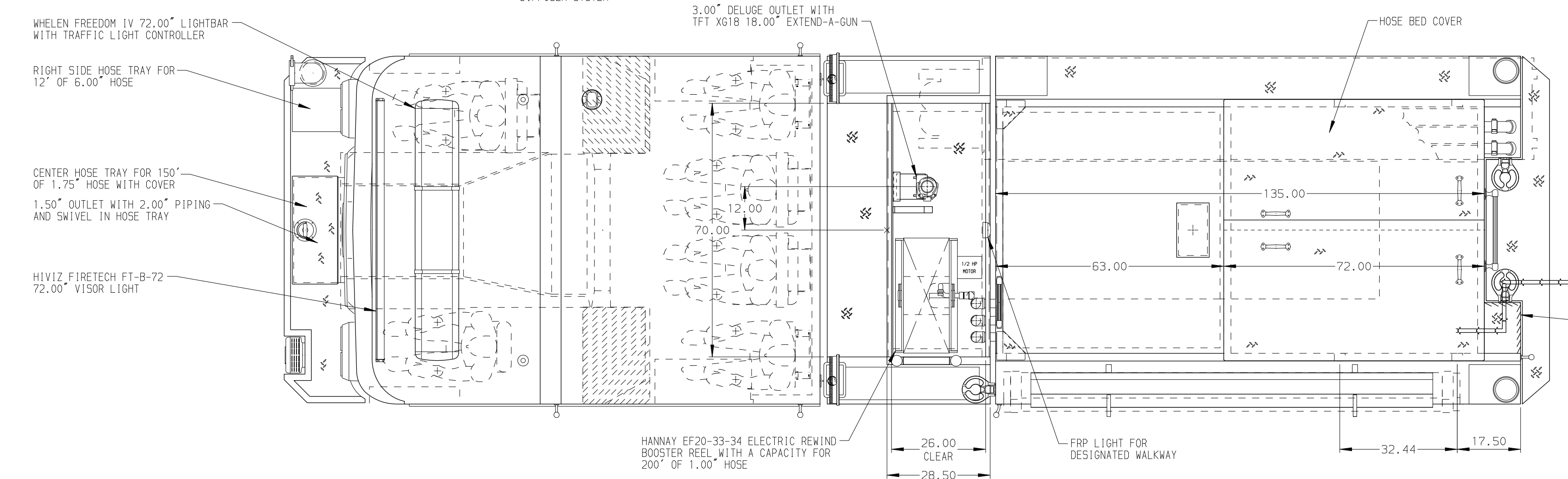


- HOSEBED CAPACITIES**
- ① 200' OF 1.75" D.J. POLY HOSE (PRECONNECTED)
 - ② 200' OF 1.75" D.J. POLY HOSE (PRECONNECTED)
 - ③ 200' OF 1.75" D.J. POLY HOSE (PRECONNECTED)
 - ④ 1200' OF 4.00" D.J. POLY HOSE
 - ⑤ 350' OF 2.50" D.J. POLY HOSE
 - ⑥ 350' OF 2.50" D.J. POLY HOSE



ALUMINUM BODY TARGET O.A.H. 120.00" TARGET O.A.L. 349.50"

NOTE
DIMENSIONS SHOWN ARE APPROXIMATE AND ARE SUBJECT TO MINOR DEVIATIONS AS MAY OCCUR OR BE NECESSARY IN CONSTRUCTION. MINOR DETAILS NOT SHOWN.

- 1. BATTERY CHARGER LOCATED PER OPTION LIST
- 2. BATTERY CHARGER INDICATOR LOCATED PER OPTION LIST
- 3. SIX FULL WIDTH/DEPTH ADJUSTABLE SHELVES WITH SIDES LOCATED PER OPTION LIST
- 4. THREE FLOOR MOUNTED SLIDE-OUT TRAYS WITH SIDES LOCATED PER OPTION LIST
- 5. CTECH THREE DRAWER CABINET LOCATED PER OPTION LIST
- 6. ONE ELECTRIC CERAMIC HEATER LOCATED PER OPTION LIST
- 7. PEGBOARD WITH TRACKS ON REAR WALL PER OPTION LIST
- 8. FOUR 120V DUPLEX RECEPTACLES IN CAB PER OPTION LIST
- 9. SEVEN 120V DUPLEX RECEPTACLES IN BODY COMPARTMENTS PER OPTION LIST

CUSTOMER APPROVAL			
APPROVED BY:			
DATE:			
CHASSIS DATA	TITLE	1250-D-750P, 145" PUMPER BODY, FH FDLR, DELUGE HYDRAULIC LADDER RACK, 45" SIDE CONTROL, BOOSTER REEL	
MAKE	FOR	FOXBOROUGH FIRE DEPARTMENT FOXBOROUGH, MA	
PIERCE	DWG NO.	36978AD	
MODEL			
ENFORCER			

Pierce MANUFACTURING INC.		JOB NO.	36978
SCALE	1:24	DATE	
DRAWN BY	BST	DATE	26JAN22
CHECKED BY	PHA	DATE	27JAN22
SHEET SIZE	D	SHEET NO.	1 OF 1