

RIGHT SIDE COMPARTMENTS CONTAIN THE FOLLOWING:

COMPARTMENT R51 CONTAINS:
- (1) 15/20A, 120V DUPLEX RECEPTACLE

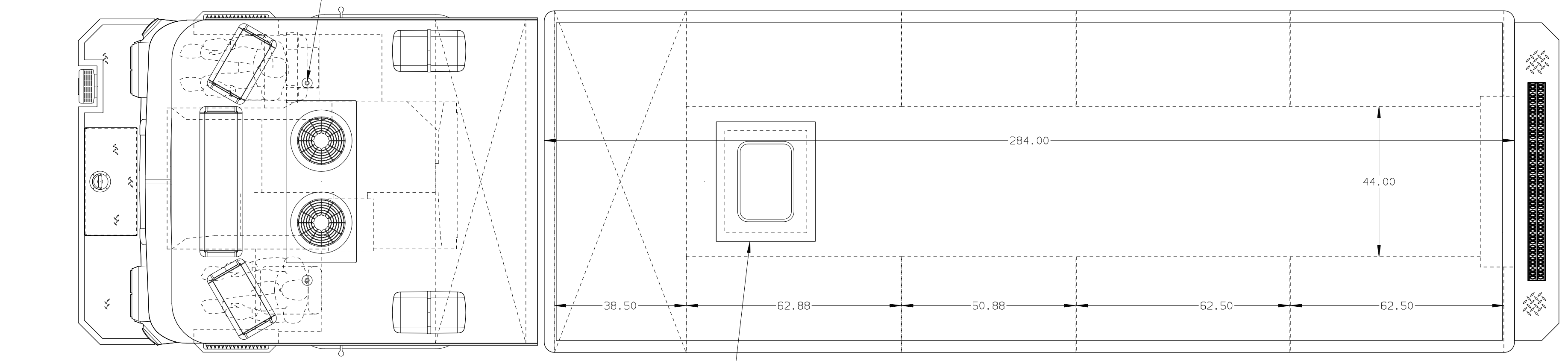
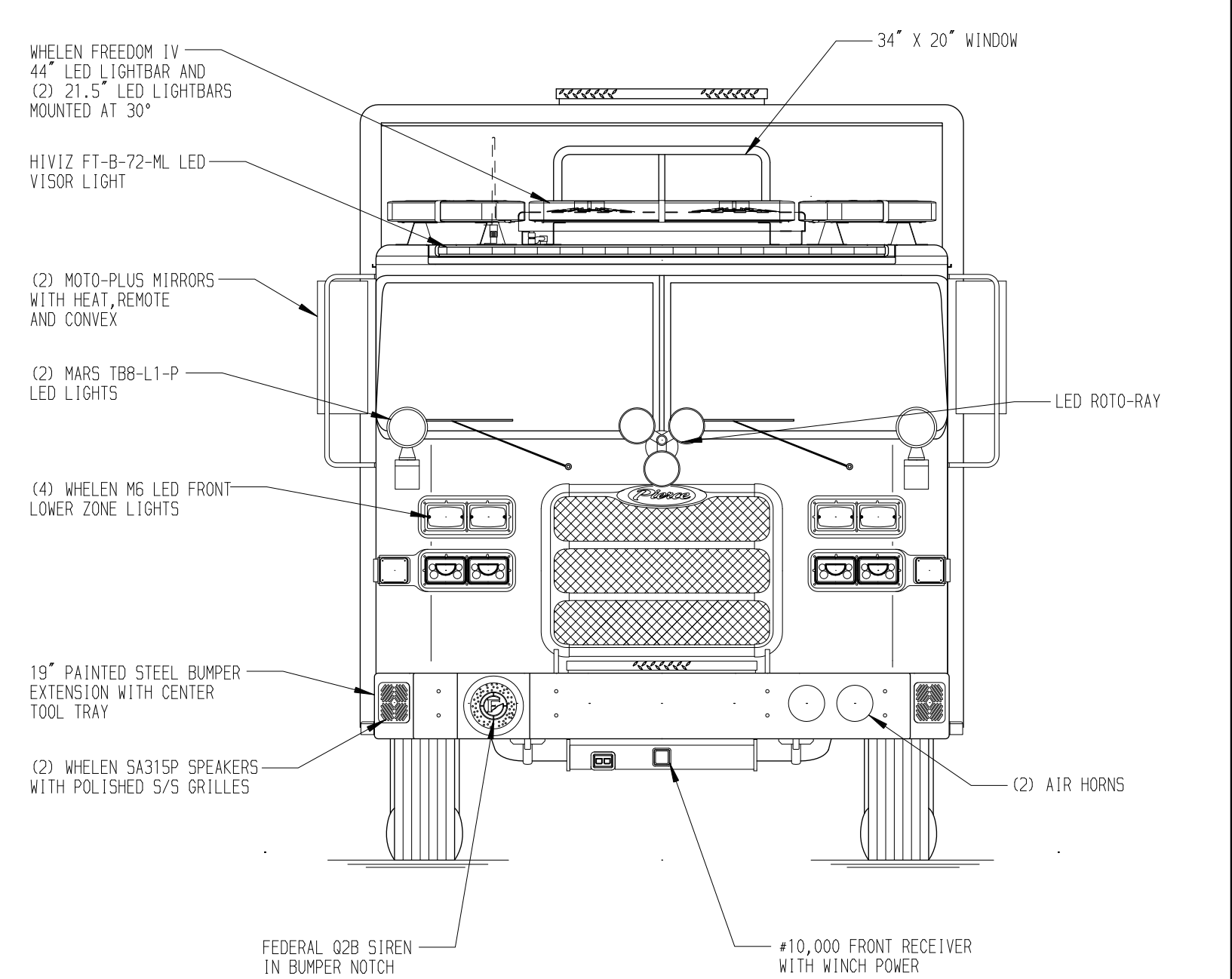
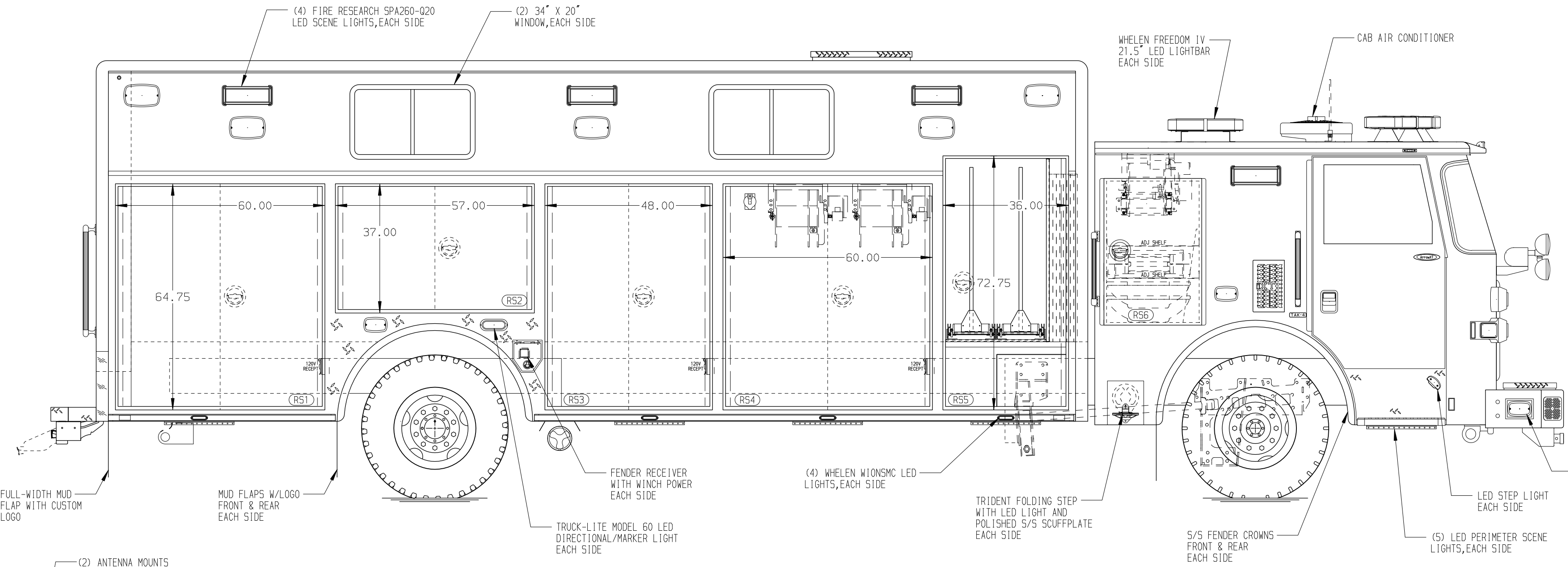
COMPARTMENT R52 CONTAINS:
-

COMPARTMENT R53 CONTAINS:
- (1) 15/20A, 120V DUPLEX RECEPTACLE

COMPARTMENT R54 CONTAINS:
- (1) 15/20A, 120V DUPLEX RECEPTACLE
- (1) 30A, 240V T.L. RECEPTACLE
- MOUNTING PROVISIONS FOR 2 HYDRAULIC REELS

COMPARTMENT R55 CONTAINS:
- (1) VERTICAL COMPARTMENT DIVIDER
- (1) REMOVABLE FLOOR EXTENSION
- (2) 2-WAY FLOOR MOUNTED SLIDE OUT TRAYS WITH TOOLBOARDS

COMPARTMENT R56 CONTAINS:
- (2) TRANSVERSE ADJUSTABLE SHELVES
- (1) ELECTRIC CORD REEL WITH 200' OF 10/3 BLACK CORD



LEFT SIDE COMPARTMENTS CONTAIN THE FOLLOWING:

COMPARTMENT L51 CONTAINS:
- (1) 15/20A, 120V DUPLEX RECEPTACLE

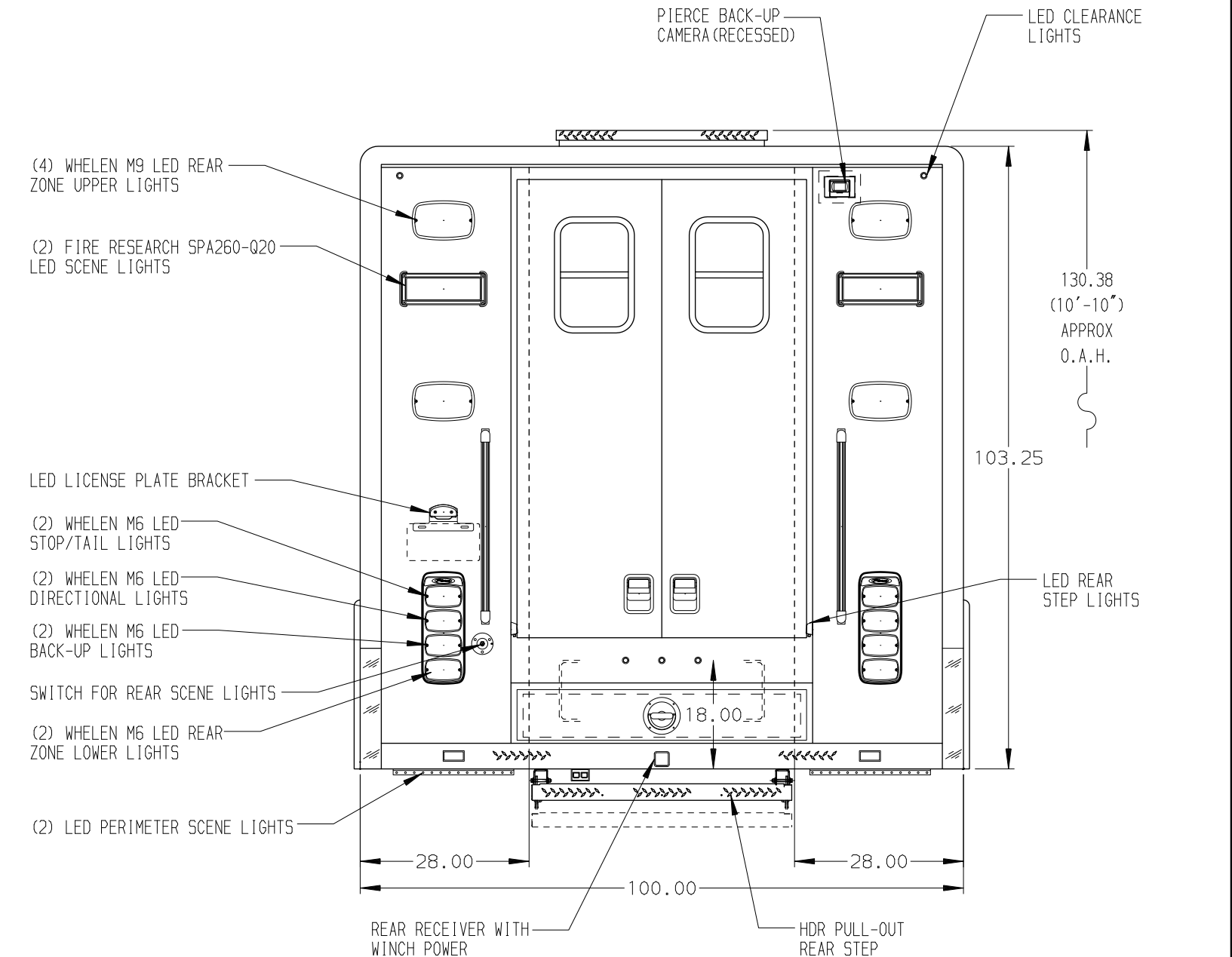
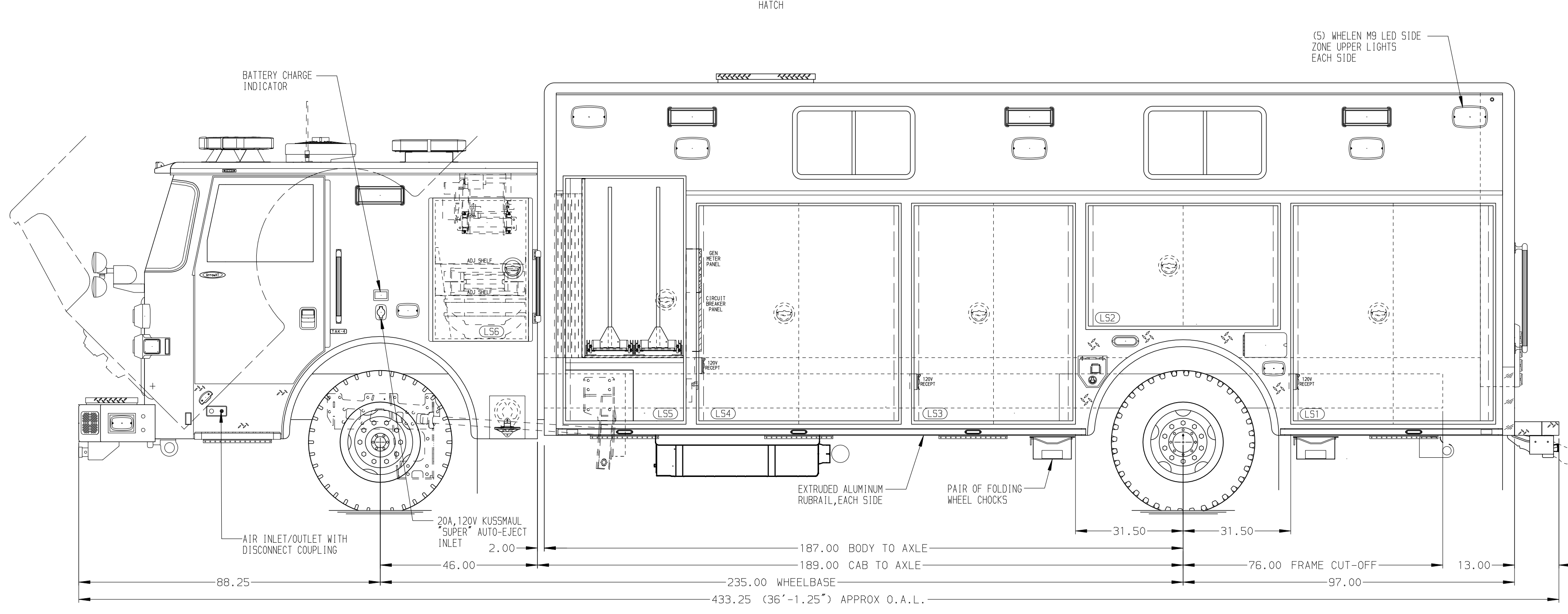
COMPARTMENT L52 CONTAINS:
-

COMPARTMENT L53 CONTAINS:
- (1) 15/20A, 120V DUPLEX RECEPTACLE

COMPARTMENT L54 CONTAINS:
- (1) CAB LIFT CONTROLLER
- (1) CIRCUIT BREAKER PANEL
- (1) GENERATOR METER PANEL
- (1) 15/20A, 120V DUPLEX RECEPTACLE

COMPARTMENT L55 CONTAINS:
- (1) VERTICAL COMPARTMENT DIVIDER
- (1) REMOVABLE FLOOR EXTENSION
- (2) 2-WAY FLOOR MOUNTED SLIDE OUT TRAYS WITH TOOLBOARDS

COMPARTMENT L56 CONTAINS:
- (2) TRANSVERSE ADJUSTABLE SHELVES
- (1) ELECTRIC CORD REEL WITH 200' OF 10/3 BLACK CORD



NOTE:
DIMENSIONS SHOWN ARE APPROXIMATE AND ARE SUBJECT TO MINOR DEVIATIONS AS MAY OCCUR OR BE NECESSARY IN CONSTRUCTION. MINOR DETAILS NOT SHOWN.

- NOTES:**
1. QNAN 25kW SINGLE PHASE PTO DRIVEN GENERATOR WITH SPLASH GUARD LOCATED BETWEEN THE FRAME RAILS
 2. QNSPT AUTOMATIC TIRE CHAINS
 3. POLISHED 5/5 SCUFFPLATES ON CAB DOOR JAMBS
 4. FLOOR IN CAB TO BE ALUMINUM TREADPLATE
 5. KUSSMAUL PUMP PLUS 1200 CHARGER LOCATED BEHIND DRIVER'S SEAT
 6. 5/5 ON REAR BODY CORNERS
 7. ALUMINUM TREADPLATE ON REAR FENDER PANELS
 8. 60 #9,000 RECEIVER STYLE ROPE ANCHORS
 9. BRUSHED 5/5 SCUFFPLATES ON BOTTOM OF BODY DOOR FRAMES
 10. PIERCE DUAL LED LIGHTS IN ALL BODY COMPARTMENTS
 11. 15/20A, 120V DUPLEX RECEPTACLE LOCATED UNDER OFFICER'S SEAT

MAXIMUM O.A.H. 10'-8"
SIDE ROLL AND FRONTAL IMPACT PROTECTION

NOTE:
LAP DOORS HAVE BEEN SHOWN IN HIDDEN LINES TO CLEARLY IDENTIFY THE EQUIPMENT IN EACH COMPARTMENT. DASHED LINES ON SIDES ARE DOORS IN OPEN POSITION

CLEAR DOOR WIDTH KEY

AMDR ROLL UP DOORS:	-2 1/4"
CORTITE ROLL UP DOORS:	-2 1/2"
PIERCE DOUBLE LAP DOORS:	-4 1/4"
PIERCE LIFT-UP LAP DOORS:	-1 1/2"

(EX: 60" F-F - 2 1/4" = 57 3/4" CLEAR)
(F-F) = FRAME TO FRAME

CUSTOMER APPROVAL

APPROVED BY: _____
DATE: _____

REV	DATE	BY	CH	MODEL
	05JAN22	DHE	AZU	AX4600

		JOB NO.	36991
		SCALE	DATE
TITLE	HEAVY DUTY RESCUE WALKIN	DRAWN BY	DHE 10DEC21
FOR	WEST END FIRE & RESCUE COMPANY BID #747	CHECKED BY	CDK 20DEC21
DWG NO.	36991AD-SH1	SHEET SIZE	SHEET NO. 1 OF 2

CYLE SHEAFFER