

Pumper, PUC BODY

Pumper, PUC, Aluminum

CHASSIS

Enforcer Chassis, PUC

CHASSIS AXLE, FRONT, CUSTOM

22,800 Lb TAK-4 Axle

AXLE, REAR

27,000 Lb Meritor Axle

ENGINE

Paccar MX13 510 HP

TRANSMISSION

Allison 5th Gen, 4500 EVS P

BUMPER

19" Extended Stainless Steel

CAB

7010 Enforcer Cab, PUC

BODY

WATER TANK

500 Gallon Poly Water Tank

COMPT, PUMPER, REAR

33.50" FF RollUp Rear Compt w/Tailboard, PUC

COMPT, PUMPER, DRIVER SIDE

177" RollUp Full Height & Depth Front & Rear, PUC

COMPT, PUMPER PASS. SIDE

177" RollUp Full Height & Depth Front & Rear, PUC

FIRE SUPPRESSION PUMPHOUSE

Control Zone, PUC

PUMP

1500 GPM Pierce PUC

CROSSLAYS, 1.50"

(2) 1.50" Poly Trays, 200"

CROSSLAYS, 2.50"

(1) 2.50" Poly Tray, 200"

GENERATOR

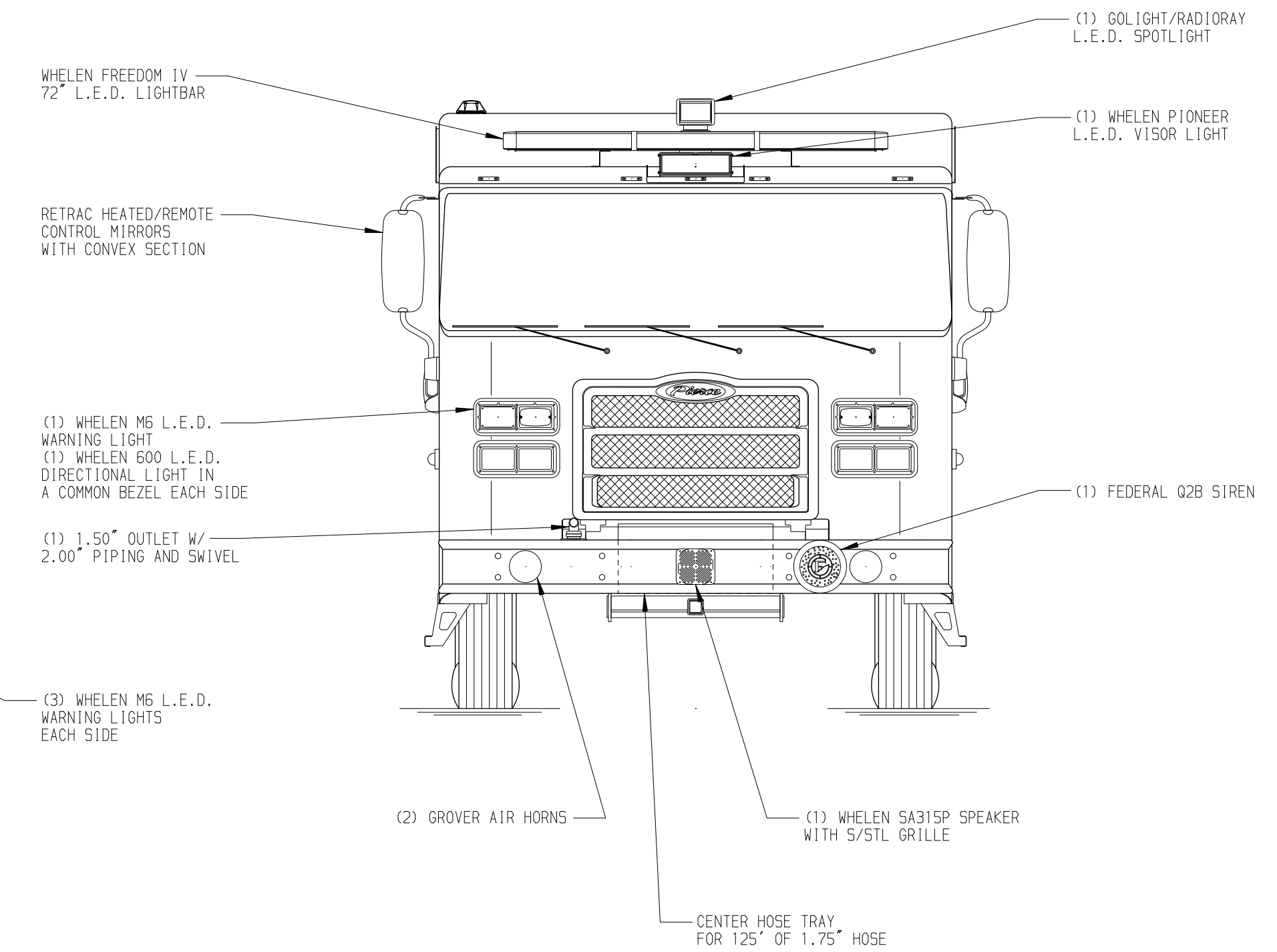
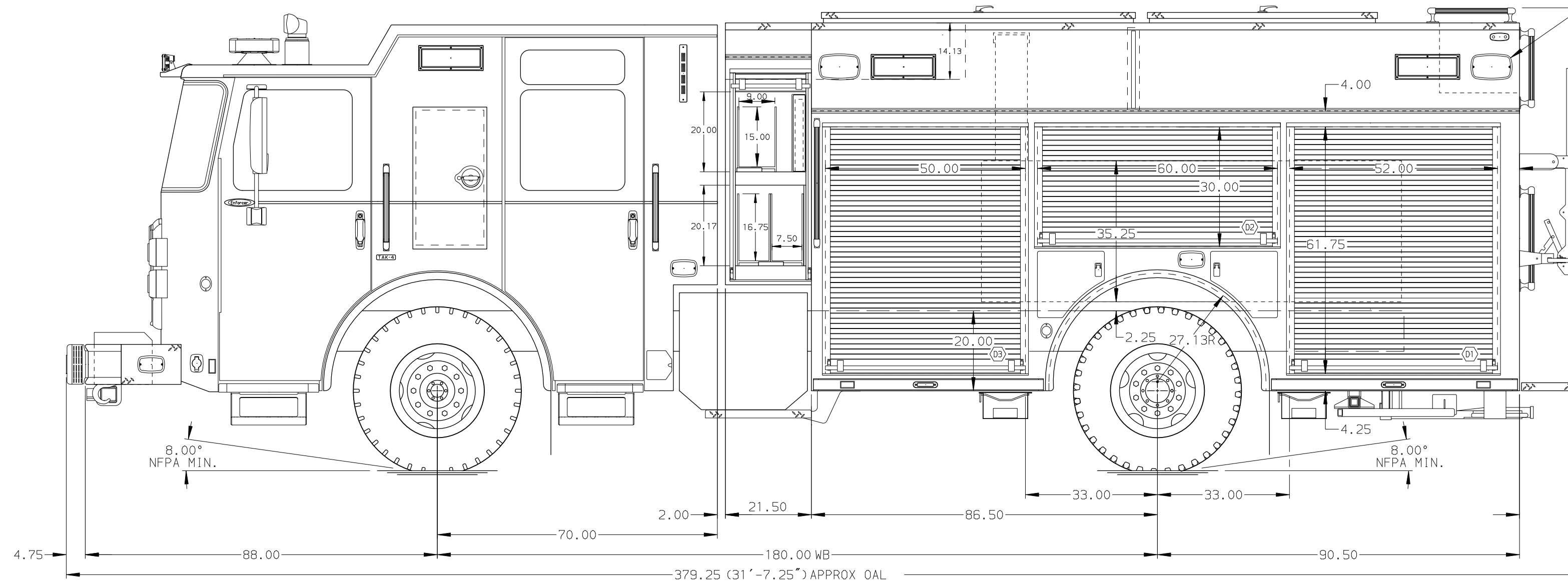
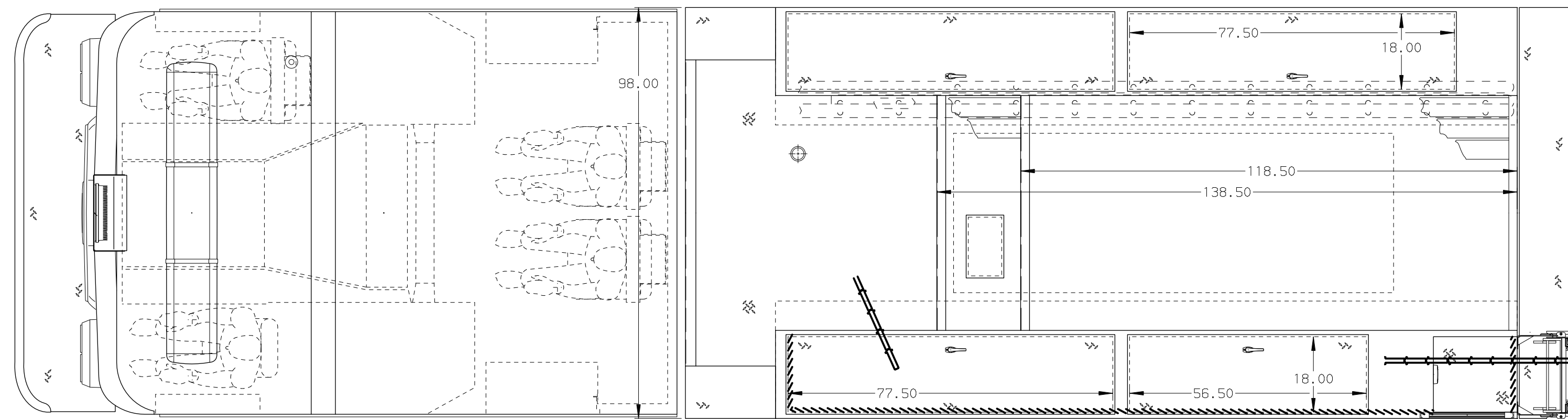
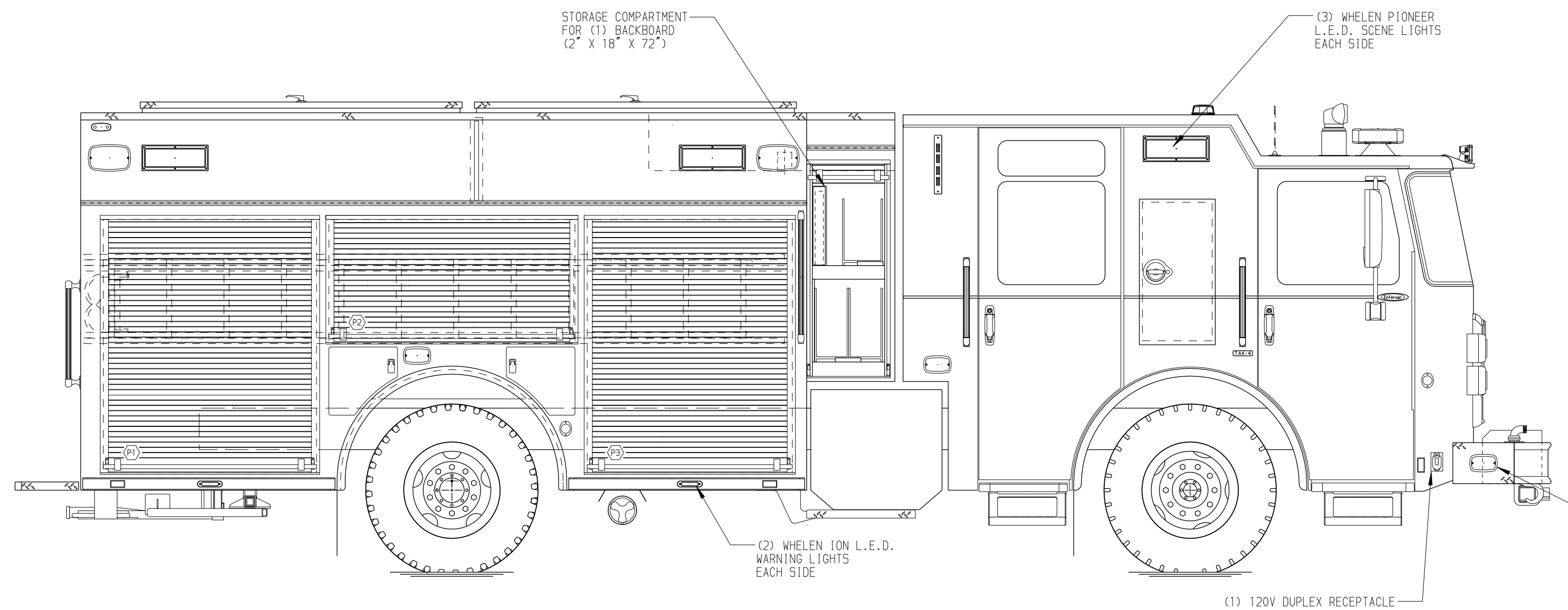
Generator Not Required

Foam System

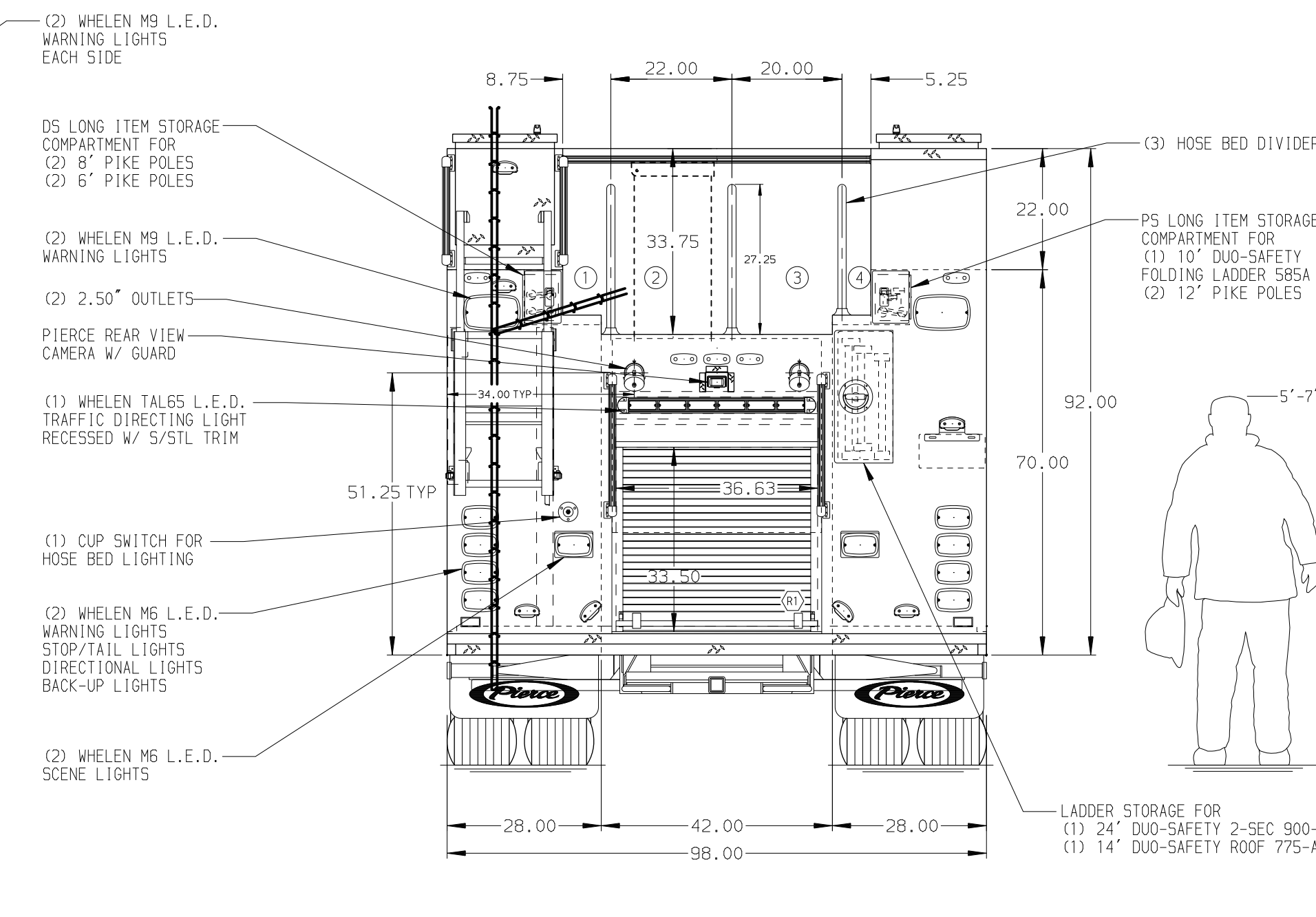
Foam System Not Required

Foam Cell

Foam Cell Not Required



HOSEBED CAPACITY	
BED 1	200' OF 2.5" D.J. POLY HOSE
BED 2	600' OF 4.00" D.J. POLY HOSE
BED 3	600' OF 3.00" D.J. POLY HOSE
BED 4	200' OF 1.75" D.J. POLY HOSE



NOTE
DIMENSIONS SHOWN ARE APPROXIMATE AND ARE SUBJECT TO MINOR DEVIATIONS AS MAY OCCUR OR BE NECESSARY IN CONSTRUCTION. MINOR DETAILS NOT SHOWN.

- 1. SHORELINE RECEPTACLE WITH KUSSMAUL SUPER AUTO-EJECT LOCATED IN THE DRIVER SIDE CAB CORNER
- 2. AIR INLET WITH DISCONNECT COUPLING RECESSED IN THE DRIVER SIDE STEPWELL
- 3. BATTERY CHARGER LOCATED IN COMPARTMENT D3
- 4. BATTERY CHARGE INDICATOR LOCATED ON THE DRIVER SIDE SEAT RISER
- 5. FIVE ADJUSTABLE SHELVES IN COMPARTMENTS PER SHOP ORDER
- 6. TWO FLOOR MOUNTED SLIDE-OUTS TRAY IN COMPARTMENTS PER SHOP ORDER
- 7. ONE 120V DUPLEX RECEPTACLE LOCATED PER SHOP ORDER
- 8. XANTREX INVERTER LOCATED PER SHOP ORDER
- 9. AUTOMATIC TIRE CHAINS
- 10. ONE SWING-OUT TOOLBOARD LOCATED PER SHOP ORDER
- 11. TWO 120 DUPLEX RECEPTACLES LOCATED PER SHOP ORDER

CUSTOMER APPROVAL			
APPROVED BY:	_____		
DATE:	_____		
REV	DATE	BY	CH
-	-	-	-
-	-	-	-
-	-	-	-
-	-	-	-

		JOB NO.	37005
		SCALE	DATE
TITLE	Pierce PUC Pumper Approval Drawing	DRAWN BY	MMF
FOR	Sandy City Corporation	CHECKED BY	COL
DWG NO.	37005AD	SHEET SIZE	SHEET NO.
ENFORCER		D	1 OF 1