

PUMPER BODY

Medium Aluminum 2nd Gen Pumper

CHASSIS

Enforcer Chassis

CHASSIS AXLE, FRONT, CUSTOM

18,000 Lb Dana Axle

AXLE, REAR

24,000 Lb Dana Axle

ENGINE

450 HP Cummins L9 Engine

TRANSMISSION

Allison 5th Gen, 3000 EVS P

BUMPER

19" Extended Stainless Steel

CAB

7010 Enforcer Cab

BODY WATER TANK

500 Gallon Poly Water Tank

COMPT, PUMPER, REAR

37.75" FF RollUp Flush Rear Compt

COMPT, PUMPER, LEFT SIDE

152" RollUp Full Height & Depth Front & Rear

COMPT, PUMPER, RIGHT SIDE

152" RollUp Full Height Front & Rear FDLER

FIRE SUPPRESSION PUMPHOUSE

45" Control Zone Side Mount

PUMP

1500 GPM Waterous CSU

CROSSLAYS, 1.50"

(2) 1.50" Standard Capacity

CROSSLAYS, 2.50"

2.50" Crosslay Not Required

SPEEDLAYS

SpeedLays Not Required

GENERATOR

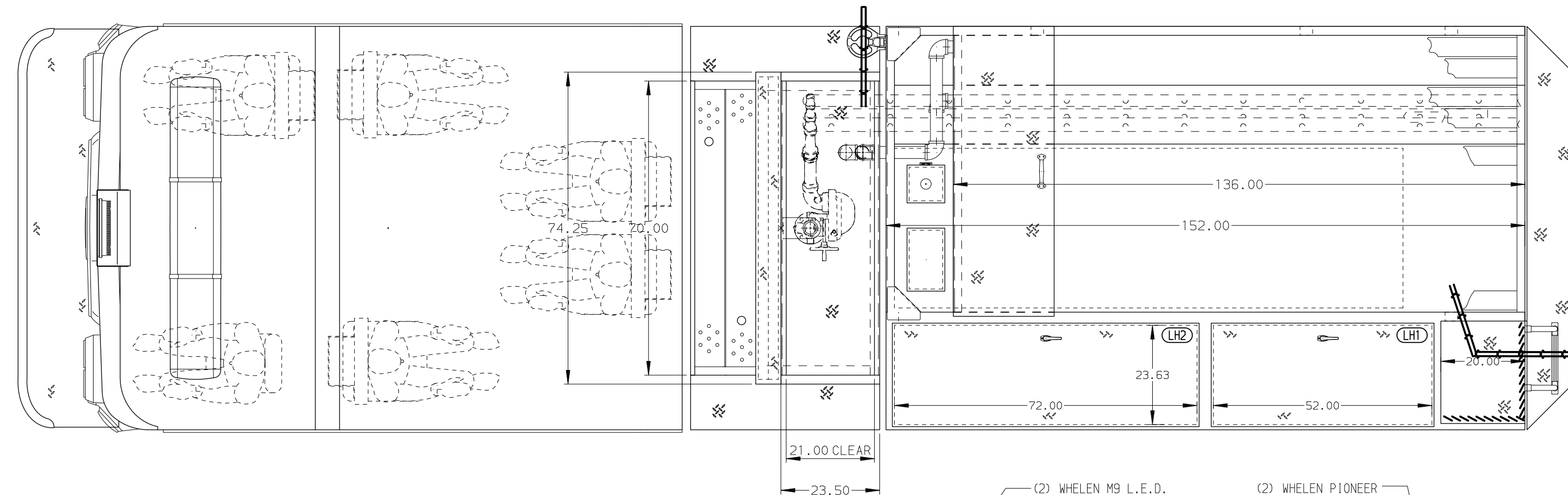
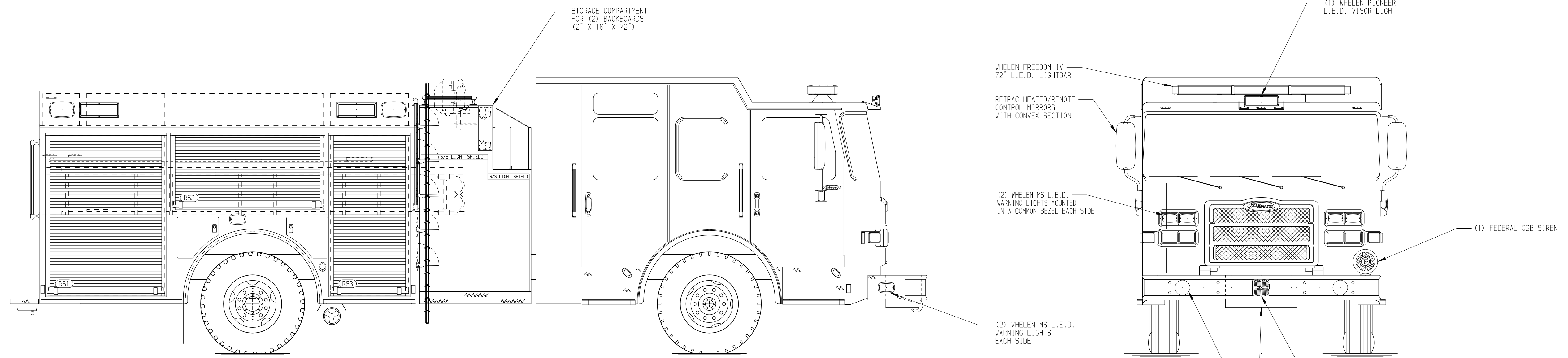
Generator Not Required

Foam System

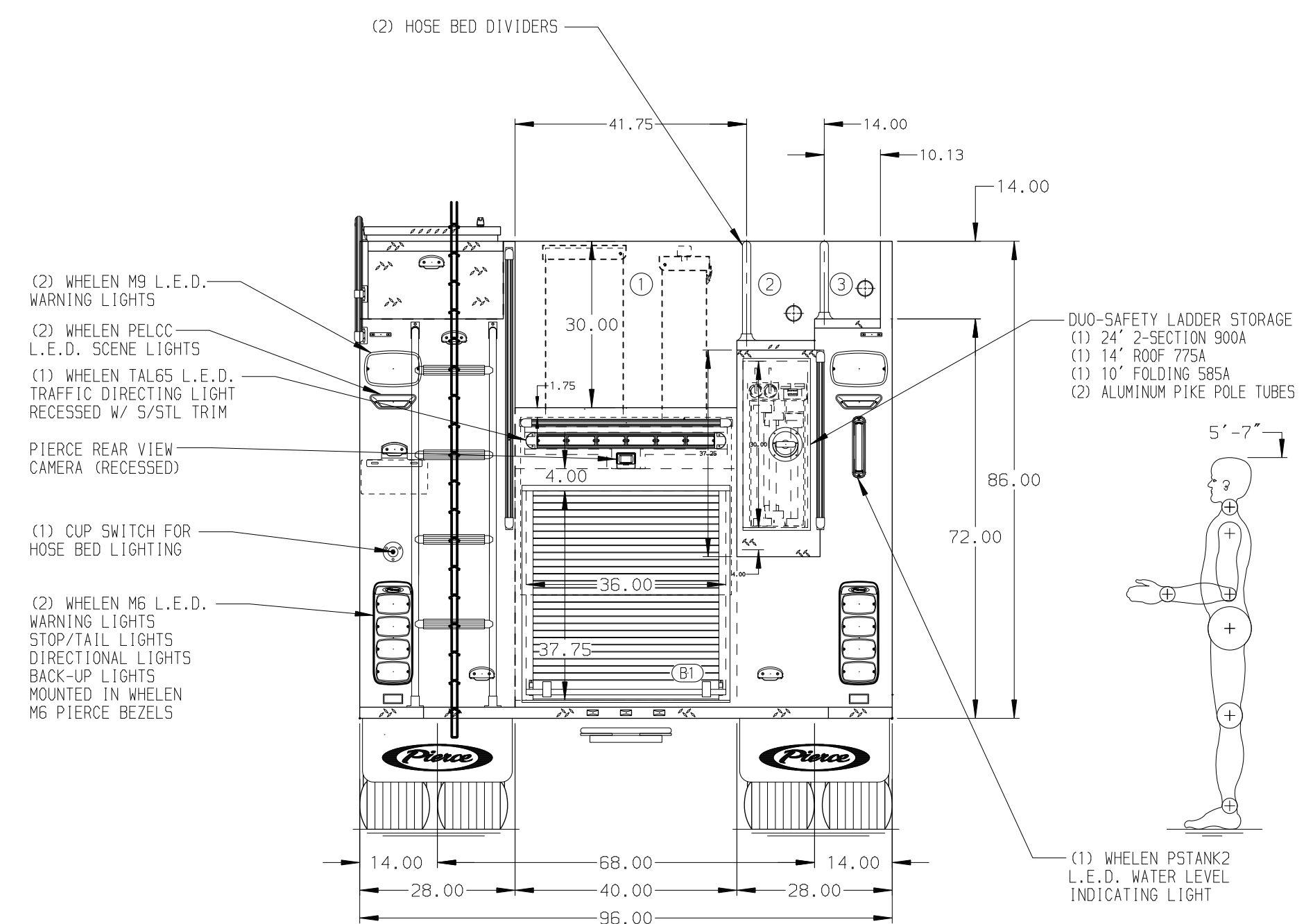
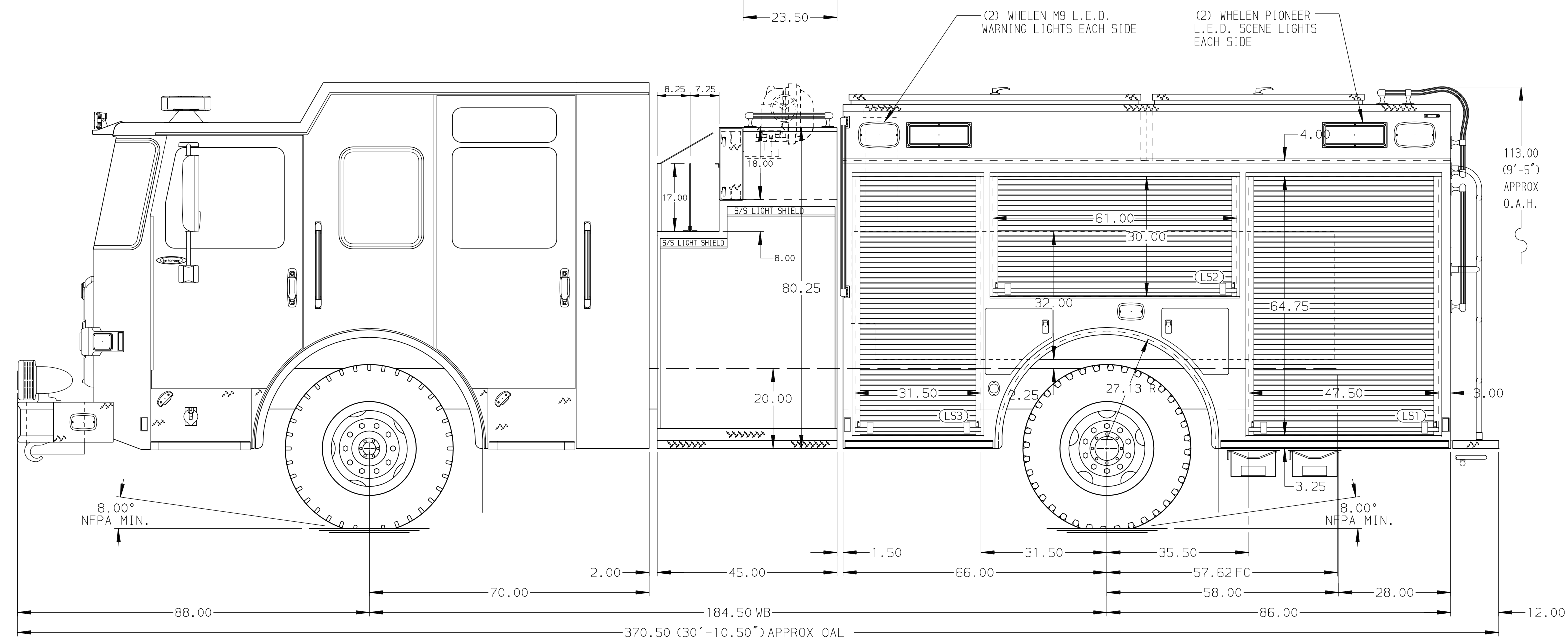
External Foam System

Foam Cell

20 Gallon Foam Cell, Not Reduced Water



HOSEBED CAPACITY	
BED 1	1600' OF 5.00" D.J. POLY HOSE
BED 2	400' OF 2.50" D.J. POLY HOSE
BED 3	200' OF 1.75" D.J. POLY HOSE



MAXIMUM O.A.H. - 113.00"

MAXIMUM O.A.L. - 360.00"

NOTE
DIMENSIONS SHOWN ARE APPROXIMATE AND ARE SUBJECT TO MINOR DEVIATIONS AS MAY OCCUR OR BE NECESSARY IN CONSTRUCTION. MINOR DETAILS NOT SHOWN.

- ONE 1.50 OUTLET WITH 2.00 PIPING AND SWIVEL LOCATED IN CENTER BUMPER TRAY
- BATTERY CHARGING RECEPTACLE LOCATED ON DRIVER SIDE STEPWELL
- AIR INLET/OUTLET WITH DISCONNECT COUPLING IN THE DRIVER SIDE STEPWELL
- SEVEN ADJUSTABLE SHELVES LOCATED PER SHOP ORDER
- TWO FLOOR MOUNTED SLIDE-OUT TRAYS LOCATED PER SHOP ORDER
- TWO TILTING SLIDE-OUT TRAYS LOCATED PER SHOP ORDER
- ONE SWING-OUT TOOLBOARD LOCATED PER SHOP ORDER
- ONE SLIDE-OUT TOOLBOARD LOCATED PER SHOP ORDER
- PARTITIONS BETWEEN COMPARTMENTS LS1/B1 & RS1/B1
- ONE VERTICAL PARTITION LOCATED PER SHOP ORDER
- WHEEL CHOCKS PROVIDED BY FIRE DEPARTMENT

CUSTOMER APPROVAL

APPROVED BY: _____
DATE: _____

CHASSIS DATA	TITLE	Pierce Pumper Approval Drawing
MAKE	FOR	Bessemer Fire Department
PIERCE	DWG NO.	37006AD
MODEL		
ENFORCER		



JOB NO.	37006 01-03
SCALE	1:24
DATE	
DRAWN BY	MMF
CHECKED BY	COL
SHEET SIZE	D
SHEET NO.	1 OF 1