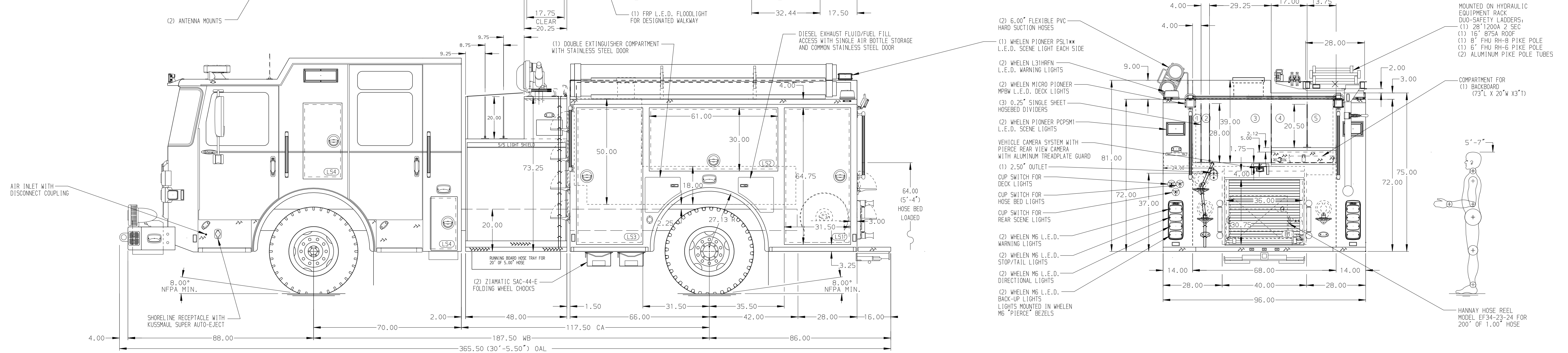


- HOSEBED CAPACITIES**
- ① 150' OF 1.75" D.J. POLY HOSE
  - ② 250' OF 1.75" D.J. POLY HOSE
  - ③ 1050' OF 4.00" D.J. POLY HOSE
  - ④ 600' OF 3.00" D.J. POLY HOSE
  - ⑤ 600' OF 2.50" D.J. POLY HOSE



**STAINLESS STEEL BODY**

**MAXIMUM O.A.H. 112.00"**

**NOTE**  
DIMENSIONS SHOWN ARE APPROXIMATE AND ARE SUBJECT TO MINOR DEVIATIONS AS MAY OCCUR OR BE NECESSARY IN CONSTRUCTION. MINOR DETAILS NOT SHOWN.

1. AIR TOOL OUTLET WITH METERING VALVE LOCATED ON THE DRIVER SIDE PUMP PANEL
2. BATTERY CHARGER/COMPRESSOR LOCATED IN COMPARTMENT L53
3. BATTERY CHARGER INDICATOR LOCATED ON DRIVER'S SEAT RISER
4. WHELEN 70COELZR L.E.D. LIGHT LOCATED AT THE FRONT OF THE HOSE BED
5. DRIP PAN GUARD FOR ROLL-UP DOOR LOCATED PER SHOP ORDER
6. TWO PULL STRAPS ON DOORS LOCATED PER SHOP ORDER
7. REVERSED HINGED DOOR ON COMPARTMENT L53
8. SIX FULL WIDTH/DEPTH ADJUSTABLE SHELVES LOCATED PER SHOP ORDER
9. FOUR FLOOR MOUNTED SLIDE-OUT TRAYS LOCATED PER SHOP ORDER
10. TWO 120V 6-PLACE RECEPTACLE STRIPS LOCATED PER SHOP ORDER

**CUSTOMER APPROVAL**

APPROVED BY: \_\_\_\_\_  
DATE: \_\_\_\_\_



JOB NO. 37007

SCALE 1:24 DATE

CHASSIS DATA	TITLE	1500-D-500 GAL POLY, 136" FULL HEIGHT BODY
MAKE	FOR	HYDRAULIC LADDER RACK, (3) CROSSLAYS, DELUGE
PIERCE		CITY OF NEWBURGH
MODEL		NEWBURGH, NEW YORK
REV	DATE	BY
ENFORCER	DWG NO.	37007AD
		SHEET NO. 1 OF 1

DRAWN BY JWO 01FEB22  
CHECKED BY PHA 04FEB22  
SHEET SIZE D SHEET NO. 1 OF 1