

PASSENGER'S SIDE COMPARTMENTS CONTAIN THE FOLLOWING:

COMPARTMENT RS1 CONTAINS:

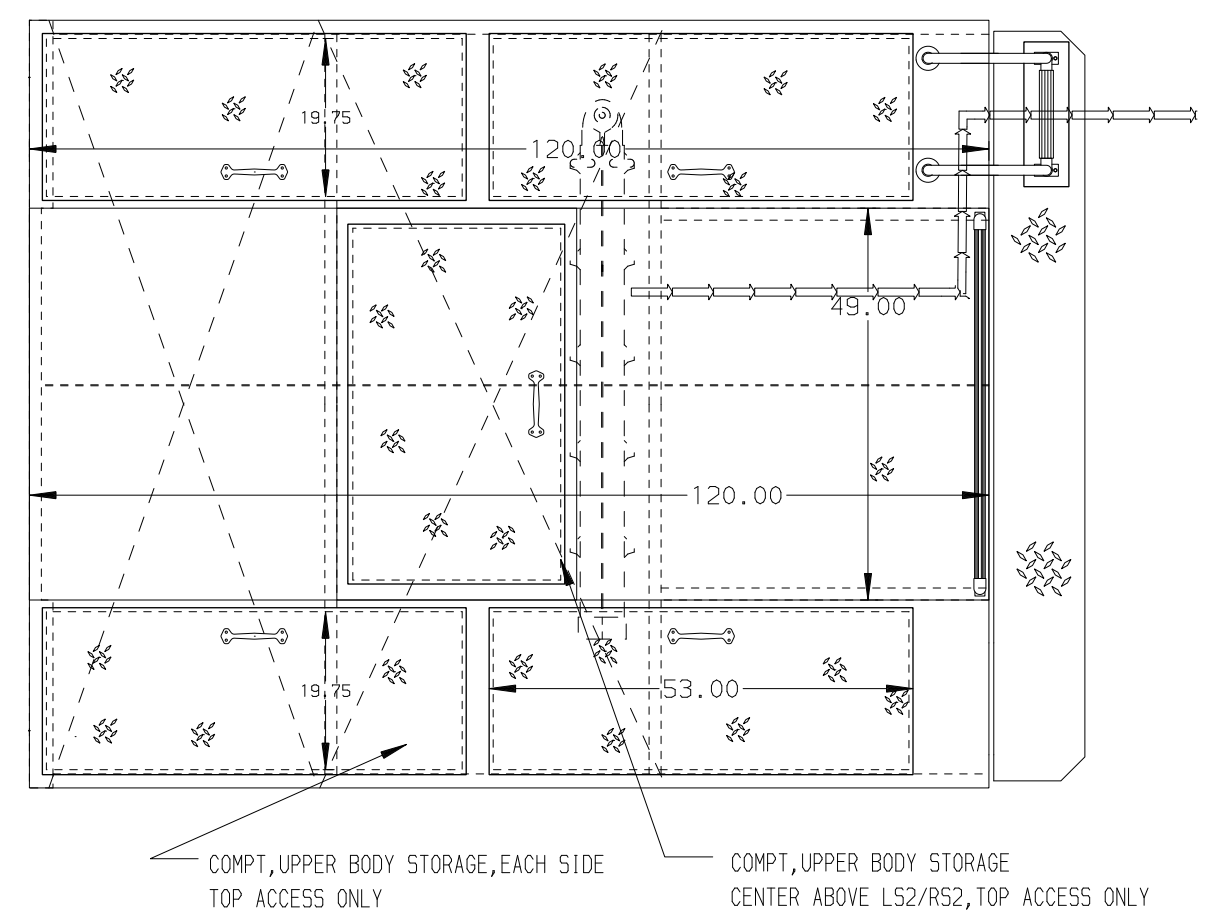
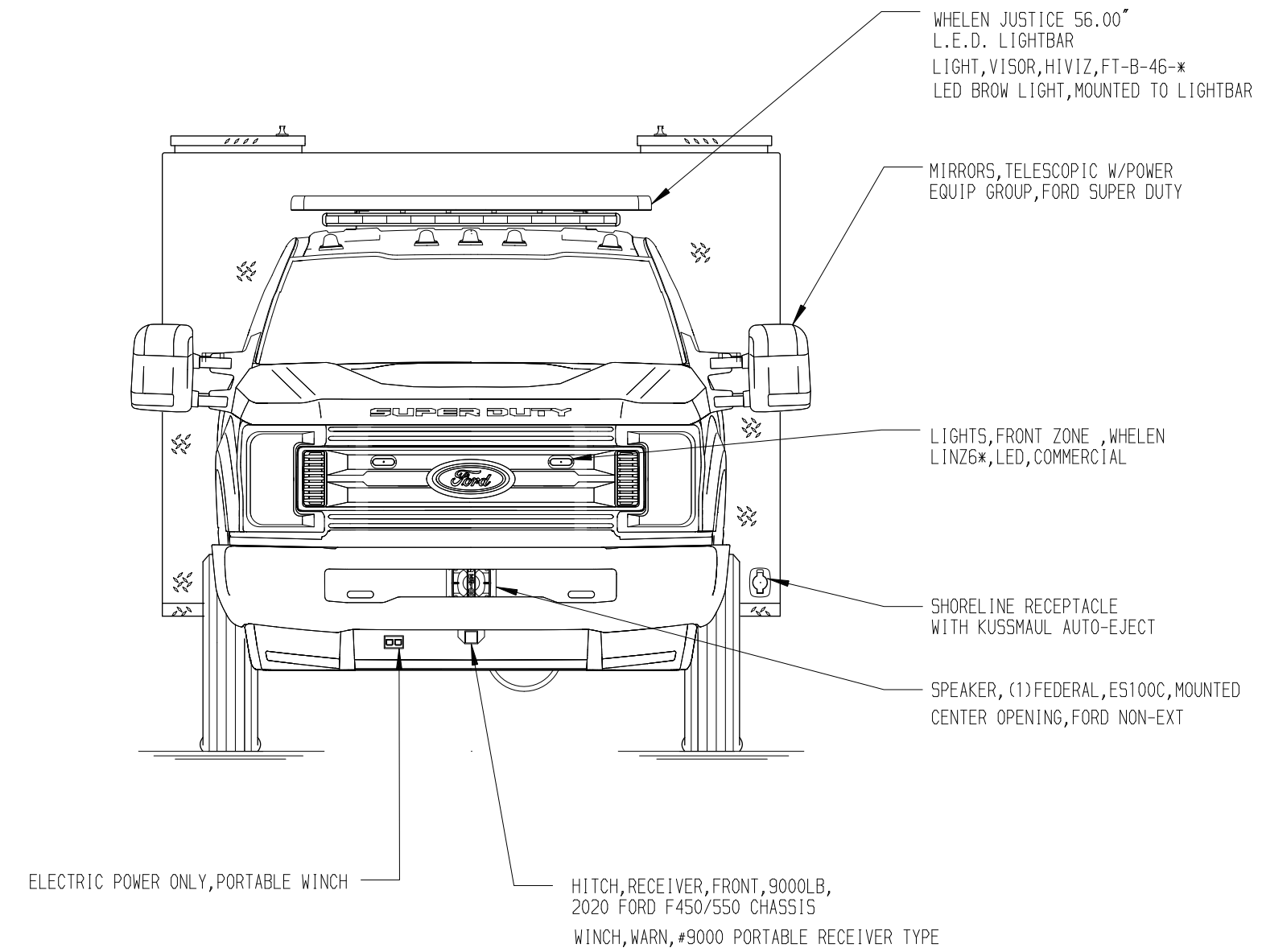
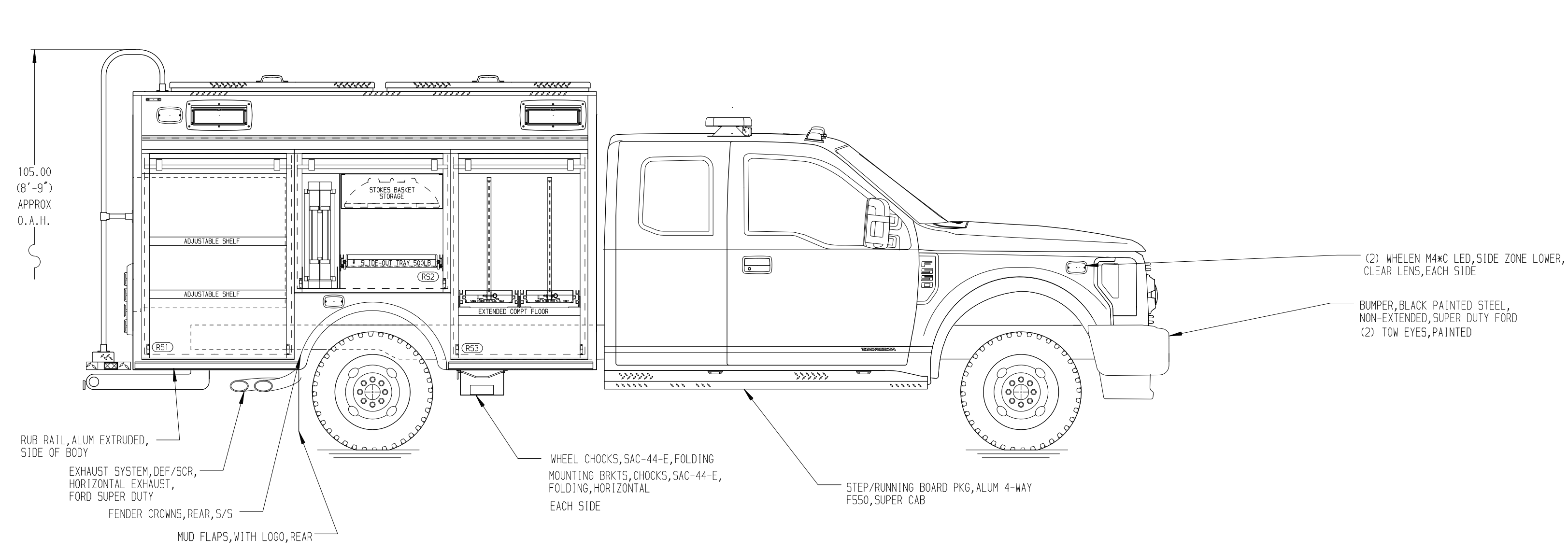
- (2) SHELVES, ADJUSTABLE, 500LB CAP. STANDARD DEPTH COMPT

COMPARTMENT RS2 CONTAINS:

- (1) TRAY, SLIDE OUT, 1/2, TRANSVERSE COMPT, ADJUSTABLE HEIGHT, 500 LB CAPACITY
- (1) RACK, STOKES BASKET STORAGE
- (1) LADDER HDR, LITTLE GIANT REVOLUTION XE-MODEL 22 12022
- (1) TROUGH, STORAGE, LITTLE GIANT
- (1) COMPARTMENT DIVIDER, VERTICAL

COMPARTMENT RS3 CONTAINS:

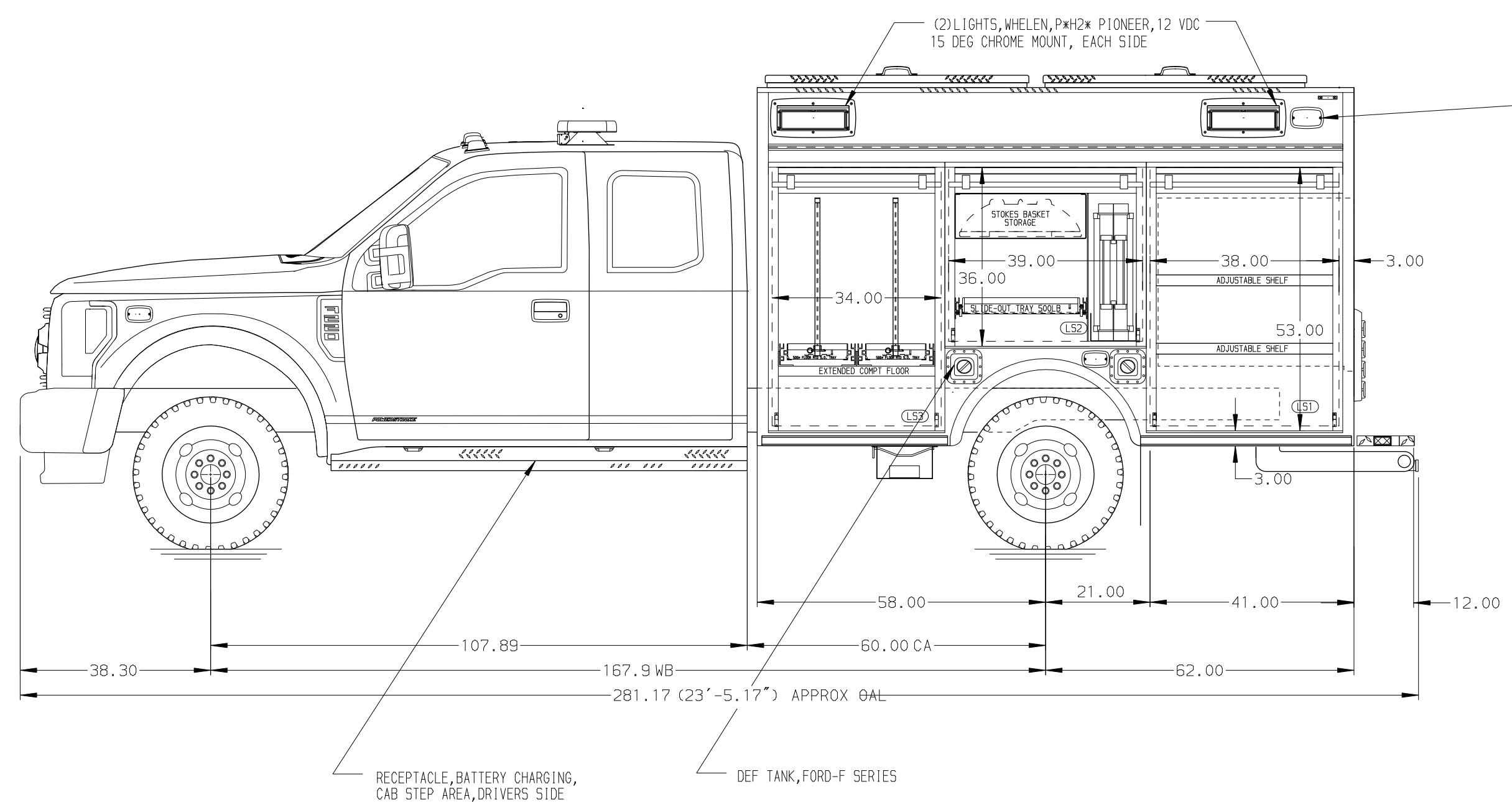
- (2) TRAY, FLOOR MOUNT, UTILITY, TWO WAY, SLIDE OUT, 500 LB, 3 SIDES, FLUFF TRANS
- (2) TOOLBOARD, ADDED TO SLIDE OUT TRAY, FULL DEPTH TRANSVERSE
- (1) EXTENDED COMPARTMENT FLOOR BOLT IN STYLE



REAR COMPARTMENT B1 CONTAINS THE FOLLOWING:

COMPARTMENT B1 CONTAINS:

- (1) TRAY, SLIDE-OUT, STD DEPTH COMPARTMENT ADJUSTABLE HEIGHT, 500 LB CAPACITY



DRIVER'S SIDE COMPARTMENTS CONTAIN THE FOLLOWING:

COMPARTMENT LS1 CONTAINS:

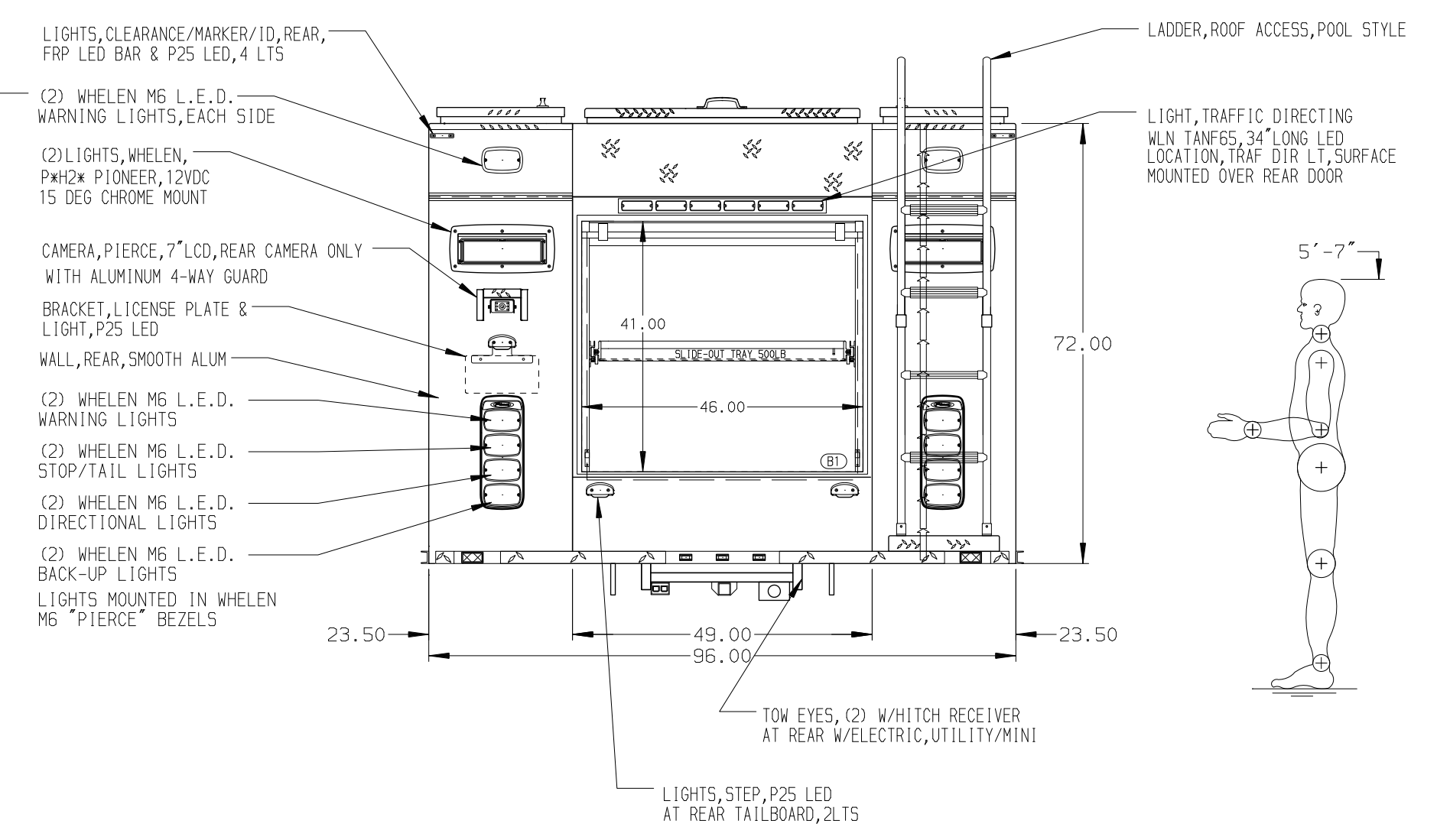
- (2) SHELVES, ADJUSTABLE, 500LB CAP. STANDARD DEPTH COMPT

COMPARTMENT LS2 CONTAINS:

- (1) TRAY, SLIDE OUT, 1/2, TRANSVERSE COMPT, ADJUSTABLE HEIGHT, 500 LB CAPACITY
- (1) RACK, STOKES BASKET STORAGE
- (1) LADDER HDR, LITTLE GIANT REVOLUTION XE-MODEL 22 12022
- (1) TROUGH, STORAGE, LITTLE GIANT
- (1) COMPARTMENT DIVIDER, VERTICAL

COMPARTMENT LS3 CONTAINS:

- (2) TRAY, FLOOR MOUNT, UTILITY, TWO WAY, SLIDE OUT, 500 LB, 3 SIDES, FULL TRANS
- (2) TOOLBOARD, ADDED TO SLIDE OUT TRAY, FULL DEPTH TRANSVERSE
- (1) EXTENDED COMPARTMENT FLOOR BOLT IN STYLE



NOTE

DIMENSIONS SHOWN ARE APPROXIMATE AND ARE SUBJECT TO MINOR DEVIATIONS AS MAY OCCUR OR BE NECESSARY IN CONSTRUCTION. MINOR DETAILS NOT SHOWN.

CHASSIS DATA	TITLE	PMFD RESCUE, 60 CA NON-WALKIN	JOB NO.	37020
CHASSIS FORD	FOR	DEERWALK VOLUNTEER FIRE DEPARTMENT WALKER WV	DATE	22FEB22
MODEL F550 4X4	DRWG. NO.	37020AD	SCALE	1:24
REV.	DATE	BY	CHK'D	SHEET NO. 1 OF 1
				SHEET SIZE D

