

**PUMPER BODY**  
Medium Aluminum 2nd Gen Pumper

**CHASSIS**  
Enforcer Chassis

**CHASSIS AXLE, FRONT, CUSTOM**  
19,500 Lb Oshkosh Tak-4 Axle

**AXLE, REAR**  
24,000 Lb Meritor Axle

**ENGINE**  
510 HP Paccar MX13

**TRANSMISSION**  
Allison 5th Gen, 4500 EVS P

**BUMPER**  
16" Extended Stainless Steel

**CAB**  
7010 Enforcer Cab

**BODY WATER TANK**  
750 Gallon New York Style Water Tank

**COMPT, PUMPER, REAR**  
30.75" FF RollUp Rear Compt

**COMPT, PUMPER, DRIVER SIDE**  
152" RollUp Full Height Front & Rear FDLR

**COMPT, PUMPER PASS. SIDE**  
152" RollUp Full Height Front & Rear FDLR

**FIRE SUPPRESSION PUMPHOUSE**  
48" Control Zone Side Mount

**PUMP**  
1500 GPM Waterous CSU

**CROSSLAYS, 1.50"**  
(2) 1.50" Standard Capacity

**CROSSLAYS, 2.50"**  
(1) 2.50" Standard Capacity

**SPEEDLAYS**  
Speedlays Not Required

**GENERATOR**  
Generator Not Required

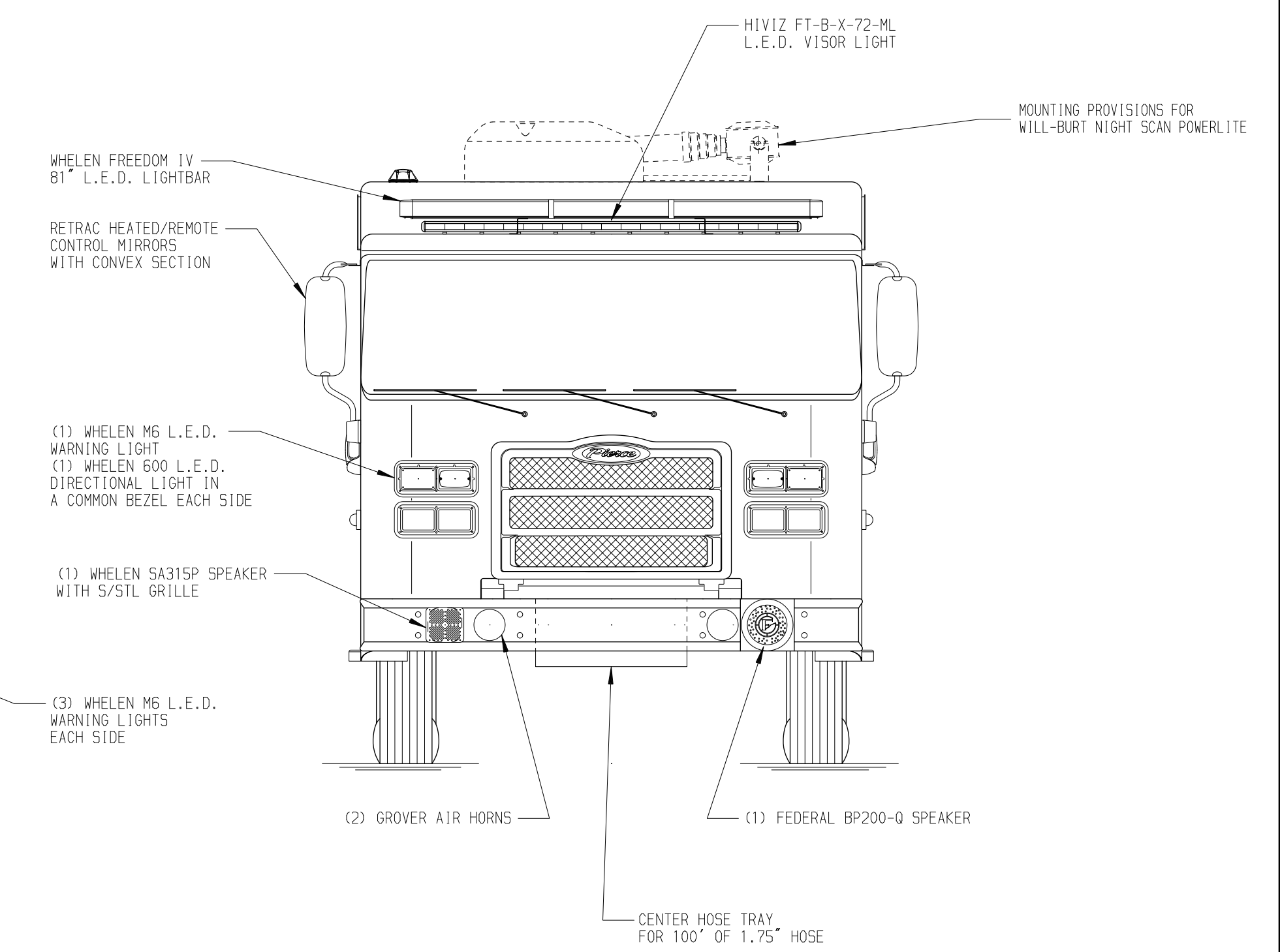
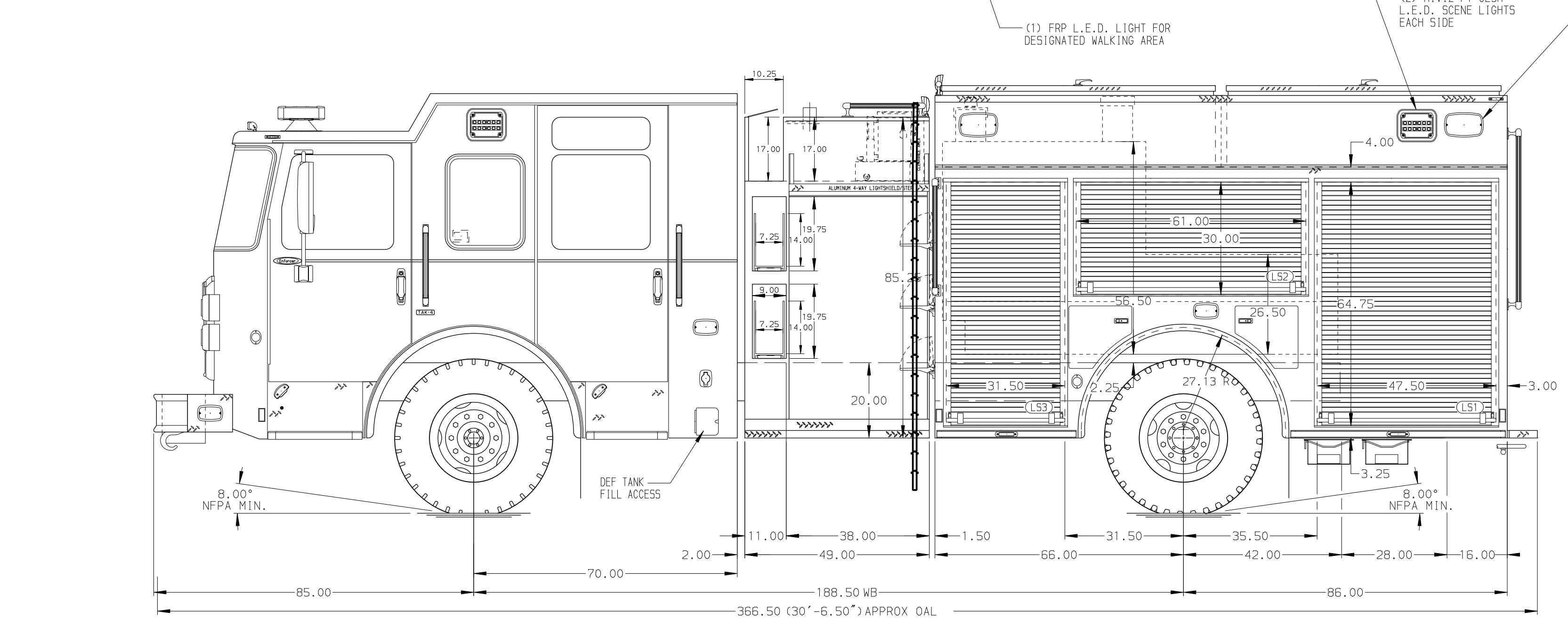
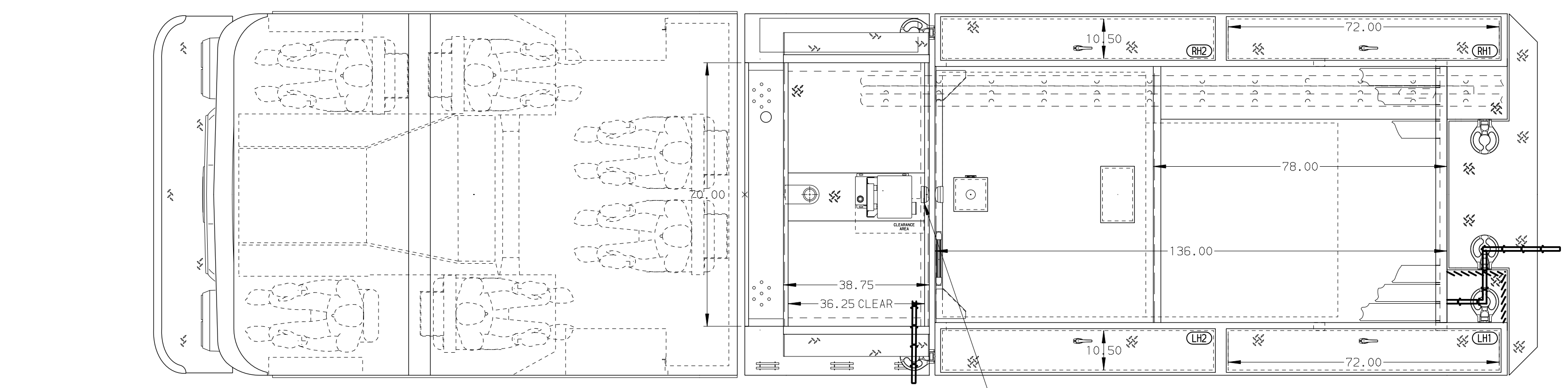
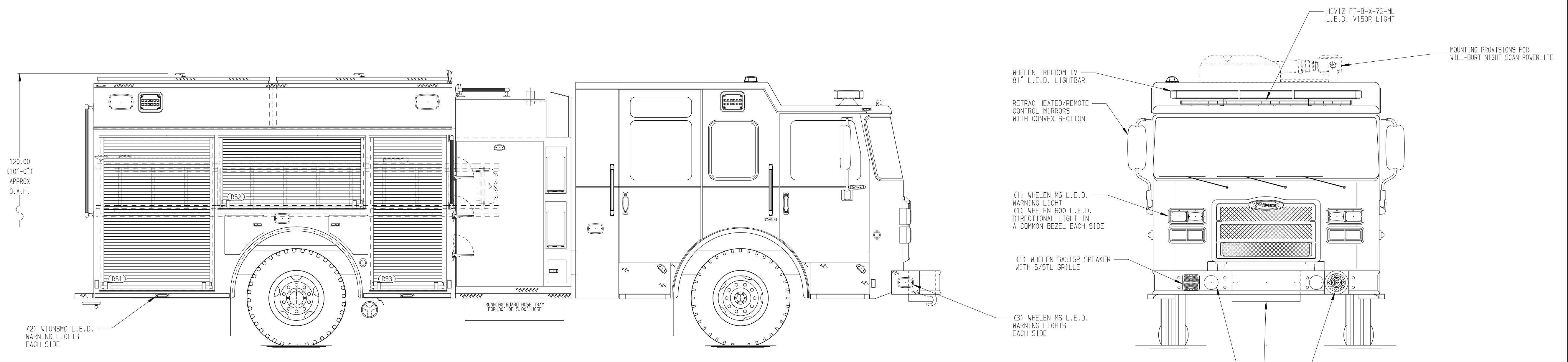
**Foam System**  
Piping For Future Husky 3/12 Foam System

**Foam Cell**  
20 Gallon Foam Cell, Not Reduced Water

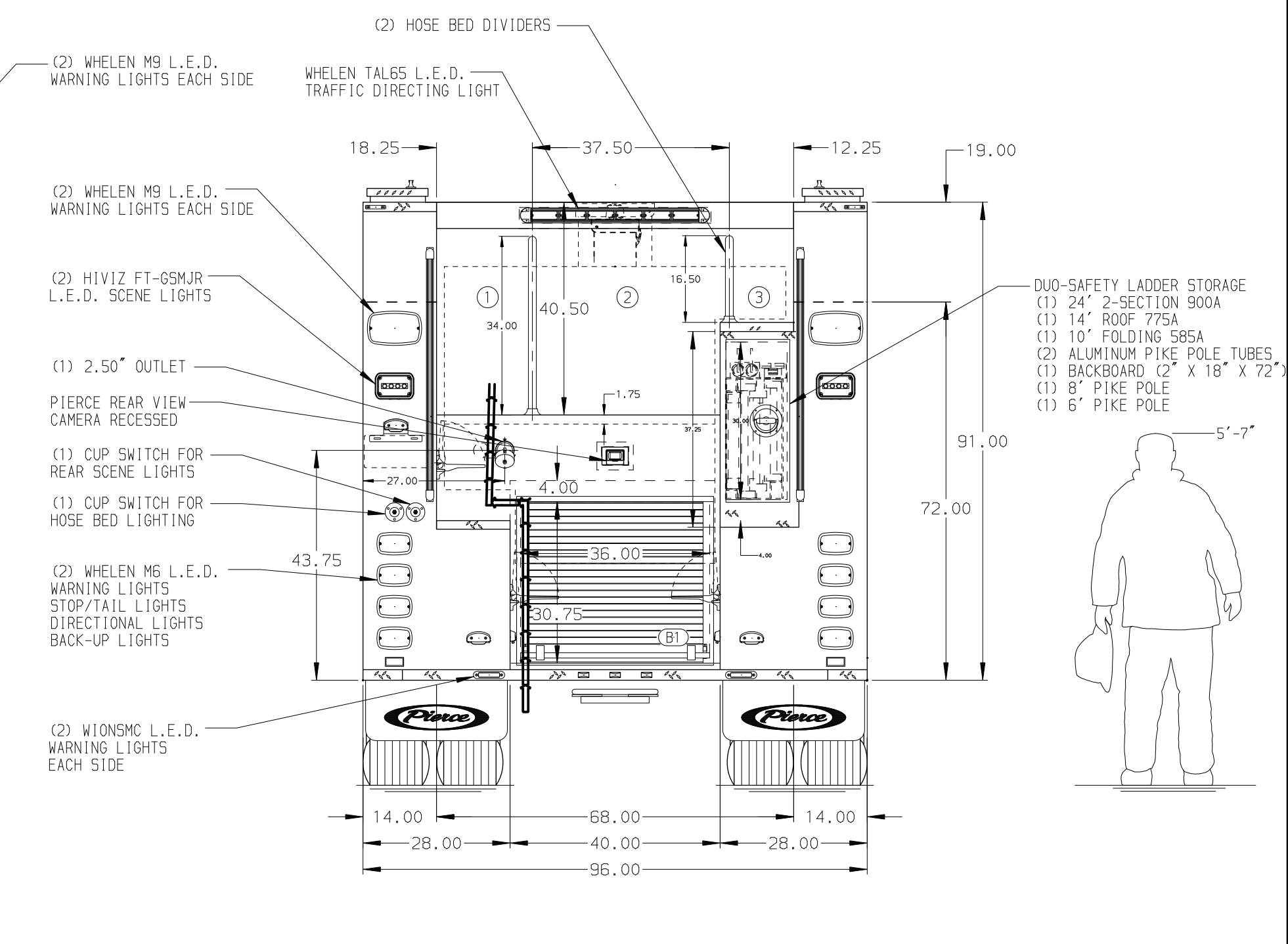
Side Roll and Frontal Impact Protection

**NOTE**  
DIMENSIONS SHOWN ARE APPROXIMATE AND ARE SUBJECT TO MINOR DEVIATIONS AS MAY OCCUR OR BE NECESSARY IN CONSTRUCTION. MINOR DETAILS NOT SHOWN.

- ONE 1.50" OUTLET WITH 2.00" PIPING AND SWIVEL LOCATED IN CENTER BUMPER TRAY
- SHORELINE RECEPTACLE WITH KUSHMAUL SUPER AUTO-EJECT LOCATED ON DRIVER SIDE OF THE CREW CAB
- AIR INLET WITH DISCONNECT COUPLING IN THE DRIVER SIDE STEPWELL
- BATTERY CHARGER LOCATED BEHIND DRIVER'S SEAT
- FIVE ADJUSTABLE SHELVES IN COMPARTMENTS PER SHOP ORDER
- TWO 120V RECEPTACLES LOCATED PER SHOP ORDER
- TWO FLOOR MOUNTED TRAYS LOCATED IN COMPARTMENT PER SHOP ORDER



HOSEBED CAPACITY	
<b>BED 1</b>	750' OF 3.00" D.J. POLY HOSE
<b>BED 2</b>	1000' OF 5.00" D.J. POLY HOSE
<b>BED 3</b>	250' OF 3.00" D.J. POLY HOSE



CUSTOMER APPROVAL			
APPROVED BY:			
DATE:			
REV	DATE	BY	CH
09NOV21		MMF	THS

Pierce MANUFACTURING INC.		JOB NO.	37024
TITLE	Pierce Pumper Approval Drawing	SCALE	1:24
DATE		DATE	
MAKE	PIERCE	DRAWN BY	COL
FOR	Pierce Stock Field Unit	CHECKED BY	MMF
MODEL	ENFORCER	SHEET SIZE	D
DWG NO.	37024AD	SHEET NO.	1 OF 1