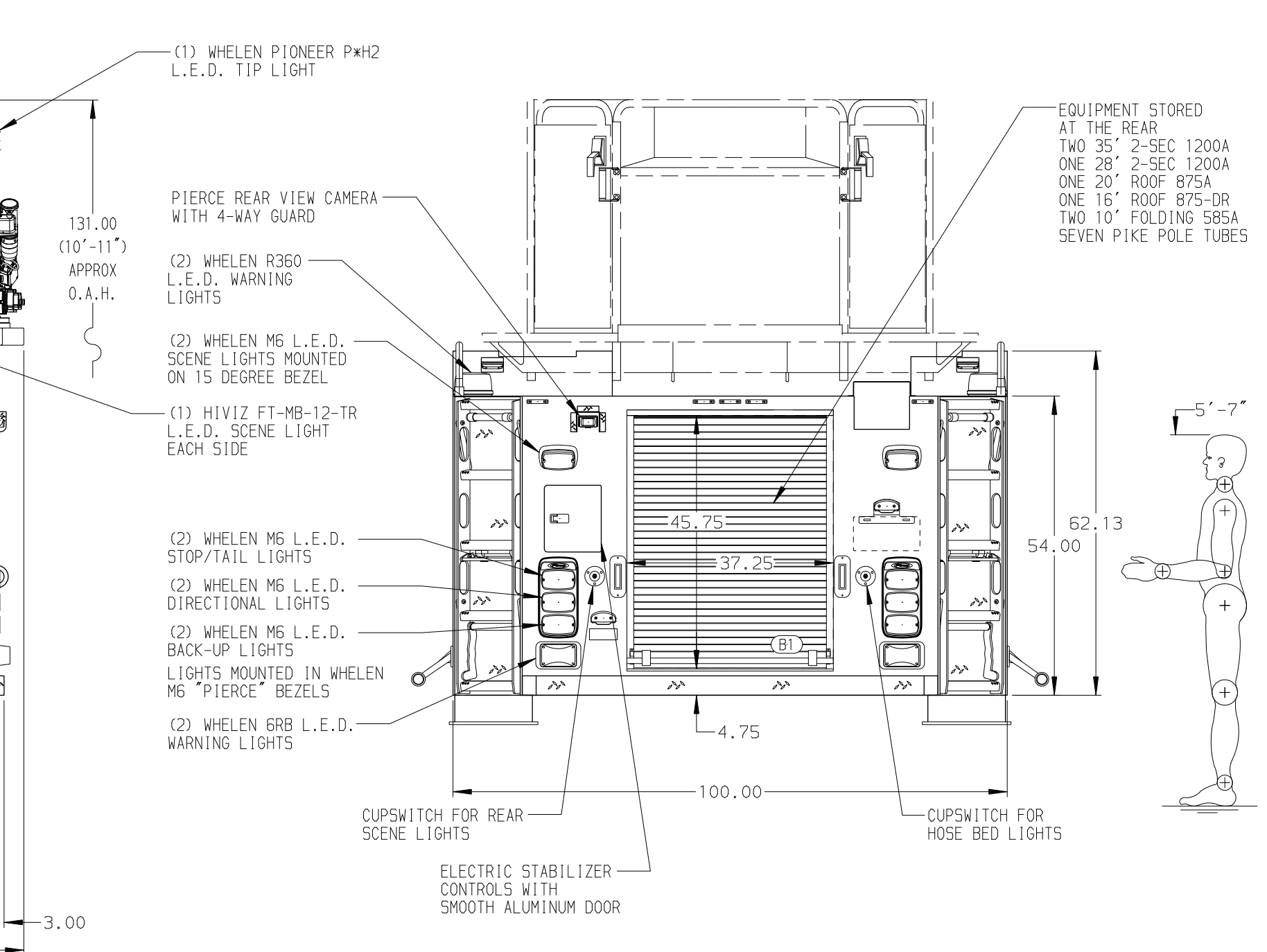
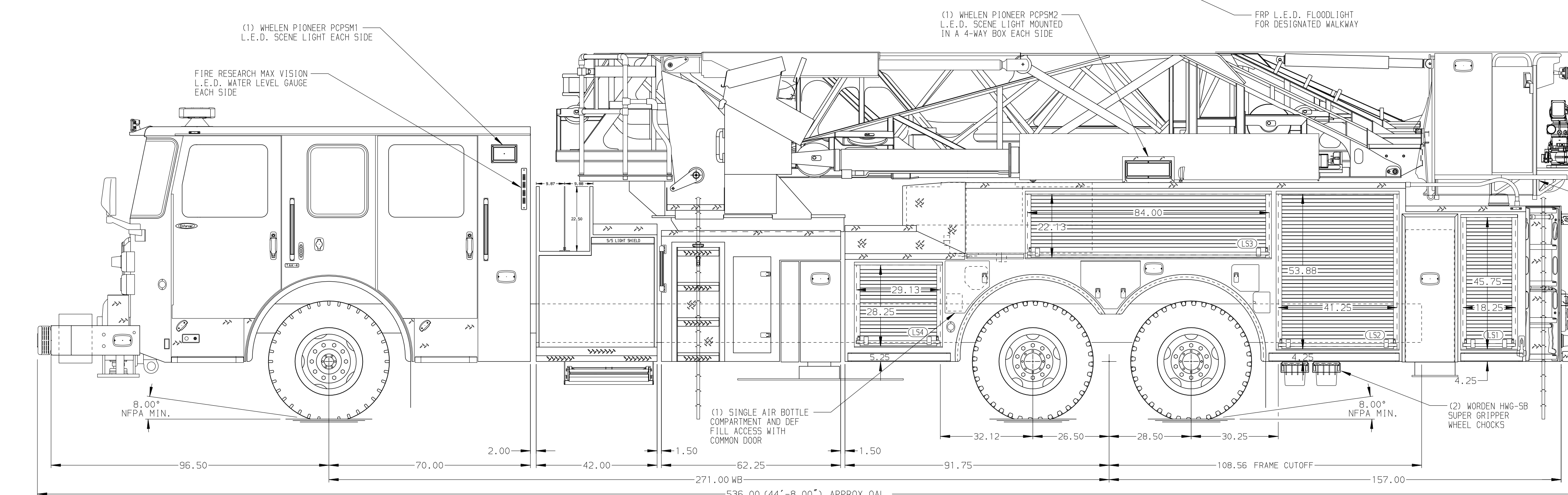
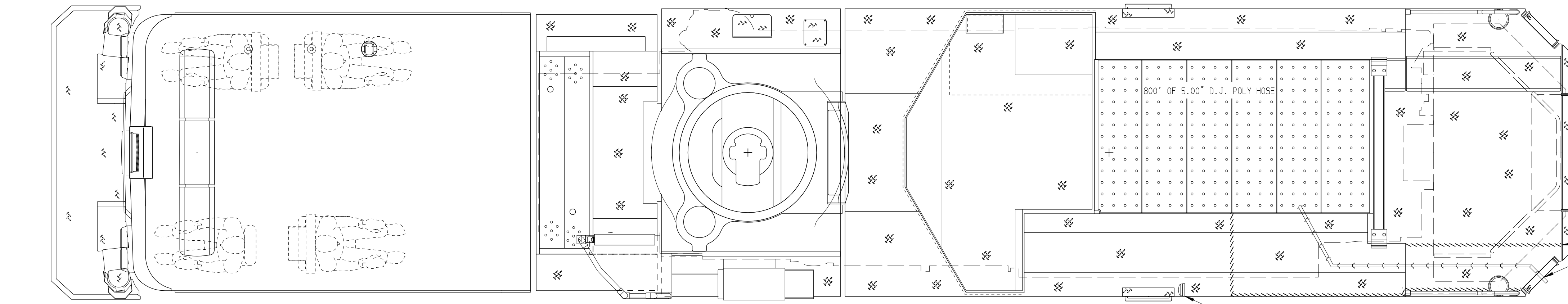


BODY 100' Ascendant Aerial Tower Alum Body COMPT, LEFT SIDE Full Height RollUp Doors COMPT, RIGHT SIDE Full Height RollUp Doors	WATER TANK 300 GalLon Poly Water Tank Foam System Foam System Not Required Foam Cell Foam Cell Not Required
---	---



CHASSIS Enforcer Chassis ENGINE 500 HP Cummins X12 Engine	CAB 7000 Enforcer Cab BUMPER 27\"/>			
AXLE, FRONT, CUSTOM 24,000 Lb TAK-4 Axle AXLE, REAR 52,000 Lb Meritor Axle	TRANSMISSION Allison 5th Gen, 4500 EV5 P	PUMPHOUSE 42\"/>		
CROSSLAYS, 1.50" (2) 1.50\", 200' of 1.75\"/>				
SPEEDLAYS Speedlays Not Required GENERATOR Generator Not Required	SAFETY Side Roll and Frontal Impact Protection	CUSTOMER APPROVAL APPROVED BY: _____ DATE: _____		JOB NO. 37028
NOTE DIMENSIONS SHOWN ARE APPROXIMATE AND ARE SUBJECT TO MINOR DEVIATIONS AS MAY OCCUR OR BE NECESSARY IN CONSTRUCTION. MINOR DETAILS NOT SHOWN.	1. SHORELINE RECEPTACLE WITH KUSSMAUL SUPER AUTO-EJECT LOCATED ON DRIVER SIDE OF THE CAB 2. AIR INLET/OUTLET WITH DISCONNECT FITTING LOCATED IN THE DRIVER SIDE STEPWELL 3. BATTERY CHARGER/CONVERTER LOCATED IN COMPARTMENT PER SHOP ORDER 4. L.E.D. LIGHT STRIPS WITH STAINLESS STEEL PROTECTIVE COVER LOCATED IN HOSE BED 5. FOUR ADJUSTABLE SHELVES IN COMPARTMENTS PER SHOP ORDER 6. FOUR ADJUSTABLE SLIDE-OUT TRAYS IN COMPARTMENTS PER SHOP ORDER 7. THREE FLOOR MOUNTED SLIDE-OUT TRAYS WITH SIDE SLIDES IN COMPARTMENTS PER SHOP ORDER 8. ONE CATCH 3-DRAWER CABINET ASSEMBLY IN COMPARTMENT PER SHOP ORDER 9. ONE TOOLBOARD MOUNTED TO 14.25\"/>	10. DC POWER TO AERIAL BASKET 11. NON-RAISED AERIAL PEDESTAL 12. 3-IN-1 LIFE/COMBO BRACKETS AT AERIAL BASKET		TITLE 100' ASCENDANT AERIAL TOWER AND BODY ASSEMBLY MAKE PIERCE FOR ROSENBERG FIRE DEPARTMENT DWG NO. 37028AD