

PUMPER BODY

Long Aluminum 2nd Gen Pumper

CHASSIS

Enforcer Chassis

CHASSIS AXLE, FRONT, CUSTOM

20,000 Lb Dana Axle

AXLE, REAR

27,000 Lb Dana Axle

ENGINE

400 HP Cummins L9 Engine

TRANSMISSION

Allison 5th Gen, 3000 EVS P

BUMPER

19" Extended Stainless Steel

CAB

7010 Enforcer Cab

BODY

WATER TANK

1000 Gallon Poly Water Tank

COMPT, PUMPER, REAR

51.25" FF RollUp Rear Compt

COMPT, PUMPER, LEFT SIDE

161" Lap Full Height Front & Rear FOLER

COMPT, PUMPER, RIGHT SIDE

161" Lap Full Height Front & Rear FOLER

FIRE SUPPRESSION PUMPHOUSE

52" Control Zone Side Mount

PUMP

1500 GPM Waterous CSU

CROSSLAYS, 1.50"

(2) 1.50" Standard Capacity

CROSSLAYS, 2.50"

(1) 2.50" Standard Capacity

SPEEDLAYS

Speedlays Not Required

GENERATOR

Generator Not Required

Foam System

Husky 3 Single Agent Foam System

Foam Cell

30 Gallon Foam Cell, Reduced Water

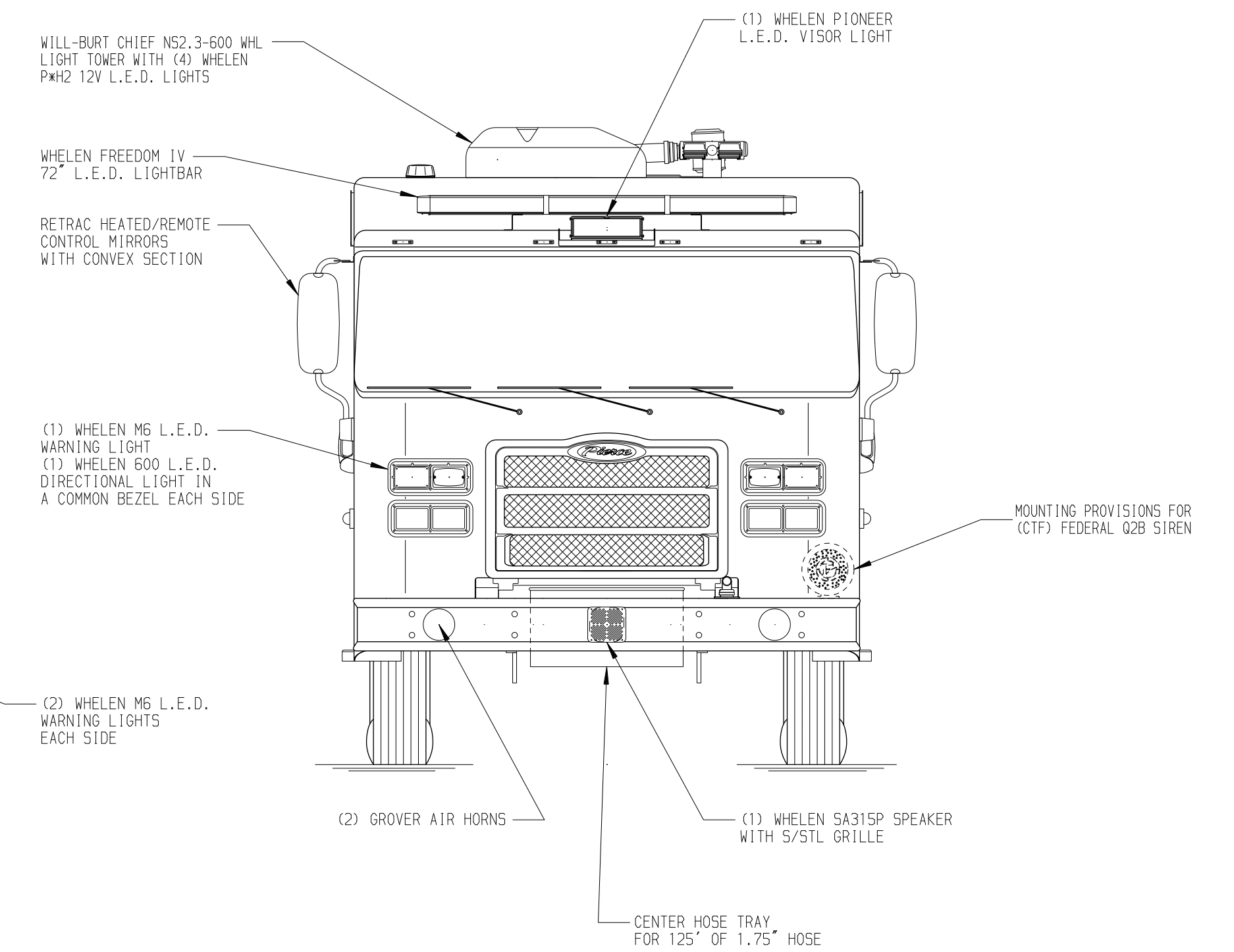
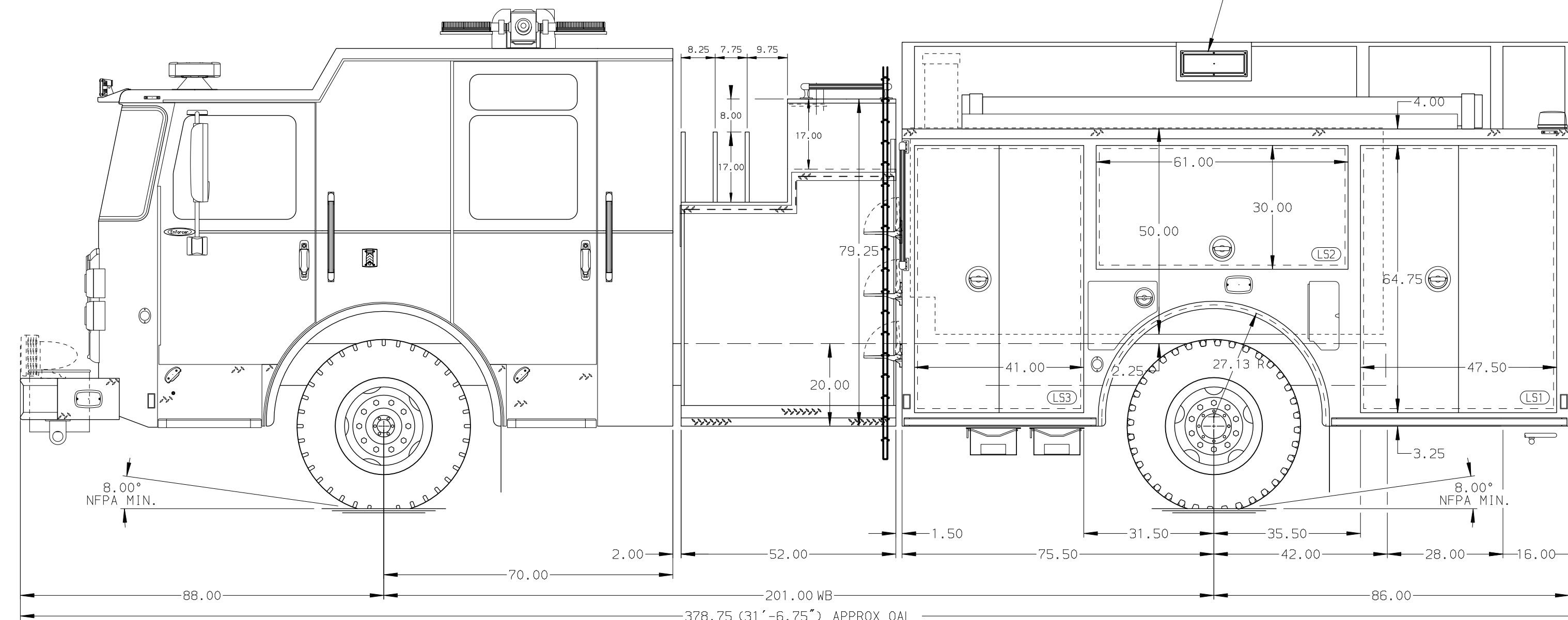
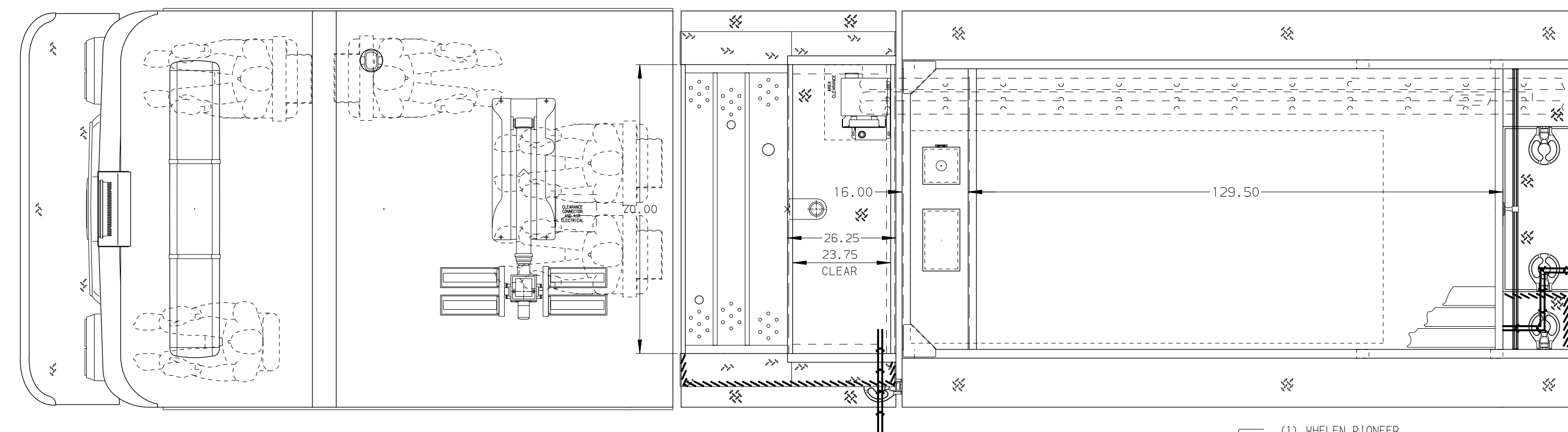
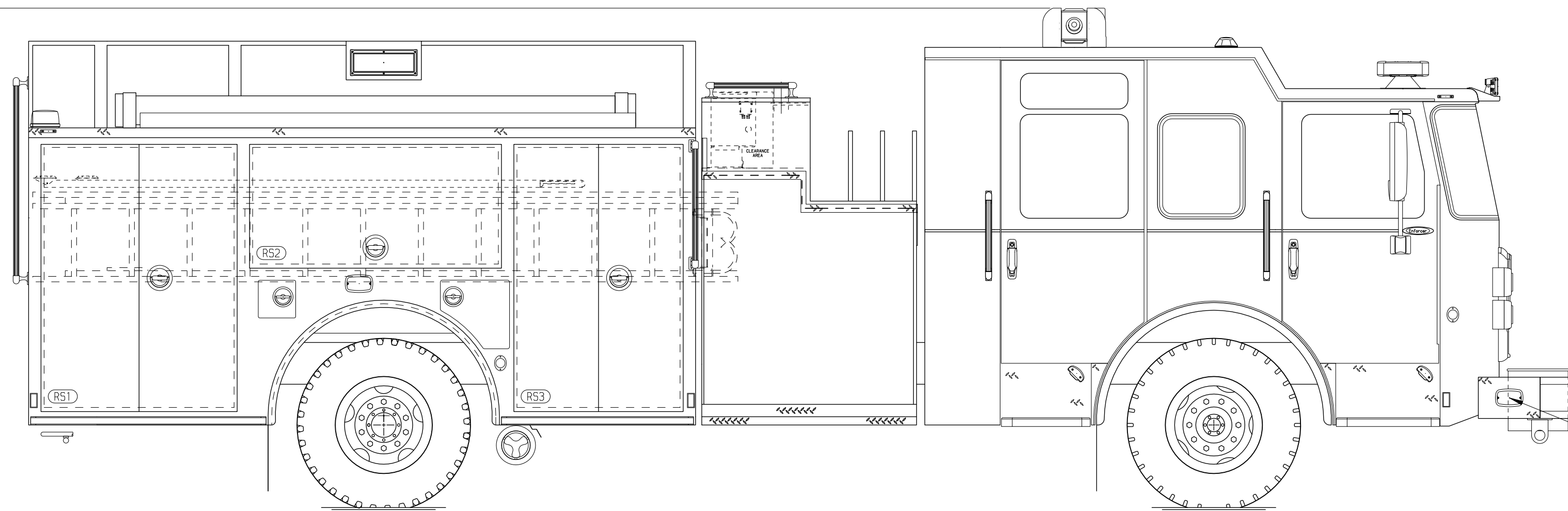
Side Roll and Frontal Impact Protection

NOTE

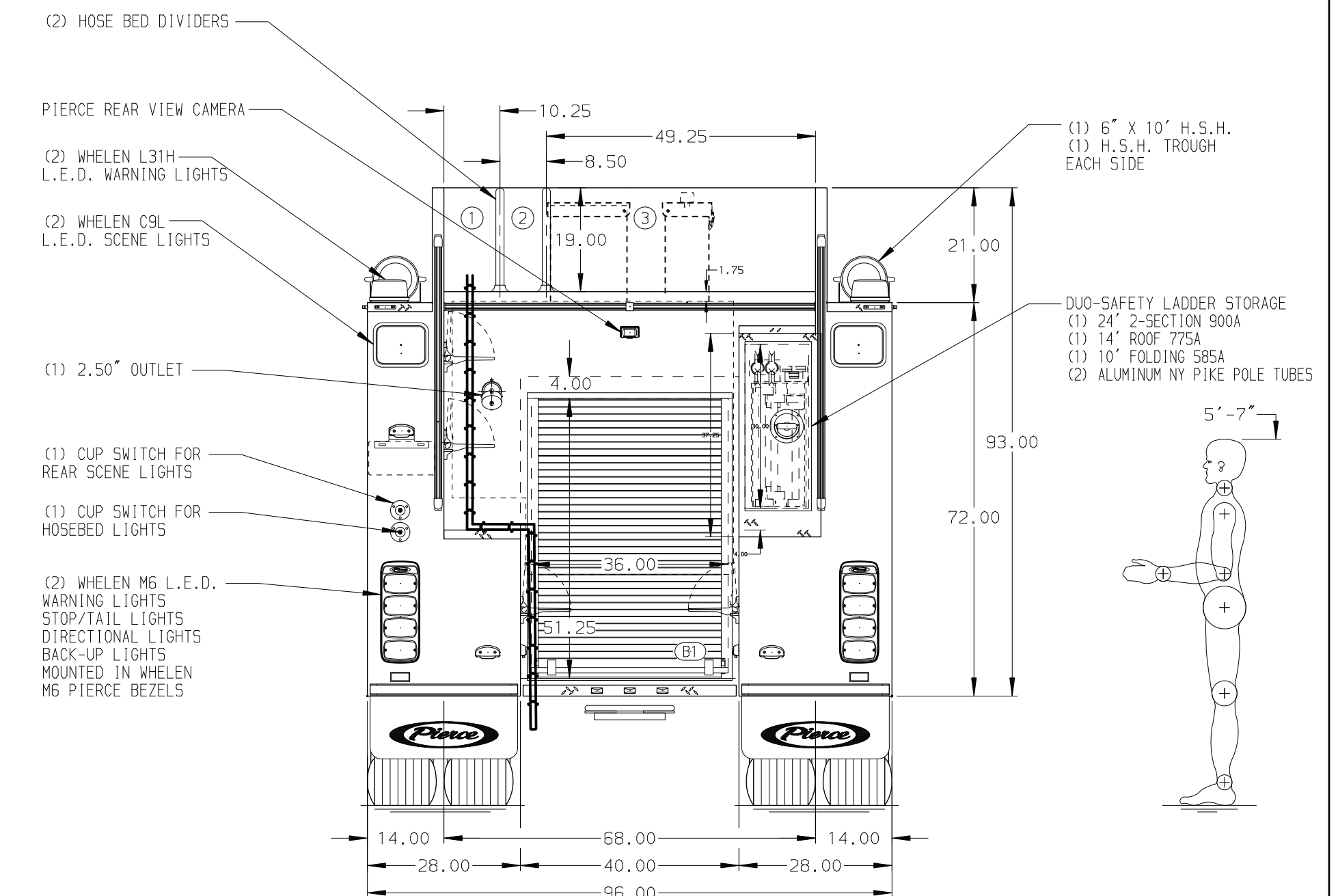
DIMENSIONS SHOWN ARE APPROXIMATE AND ARE SUBJECT TO MINOR DEVIATIONS AS MAY OCCUR OR BE NECESSARY IN CONSTRUCTION. MINOR DETAILS NOT SHOWN.

- ONE 1.50 OUTLET WITH 2.00 PIPING AND SWIVEL LOCATED ON TOP BUMPER LEFT SIDE
- BLUE SEA SURE EJECT SHORELINE RECEPTACLE LOCATED ON DRIVER SIDE OF THE CAB
- AIR INLET WITH DISCONNECT COUPLING IN THE DRIVER SIDE STEPWELL
- BATTERY CHARGER LOCATED IN COMPARTMENT PER SHOP ORDER
- BATTERY CHARGE INDICATOR LOCATED ON THE DRIVER SIDE SEAT RISER
- NINE ADJUSTABLE SHELVES IN COMPARTMENTS PER SHOP ORDER
- THREE FLOOR MOUNTED SLIDE-OUT TRAY IN COMPARTMENT PER SHOP ORDER
- PEGBOARD ON BACK WALL IN COMPARTMENTS PER SHOP ORDER

127.00
(10'-7")
APPROX
O.A.H.



HOSEBED CAPACITY	
BED 1	300' OF 2.50" D.J. POLY HOSE
BED 2	300' OF 1.75" D.J. POLY HOSE
BED 3	1200' OF 5.00" D.J. POLY HOSE



		JOB NO.	37030
		SCALE	DATE
TITLE	Pierce Pumper Approval Drawing	DRAWN BY	MMF
MAKE	PIERCE	CHECKED BY	COL
FOR	Littleton Fire Department	SHEET SIZE	SHEET NO.
MODEL	ENFORCER	DWG NO.	37030AD
REV	DATE	BY	CH
11OCT21		MMF	PJP