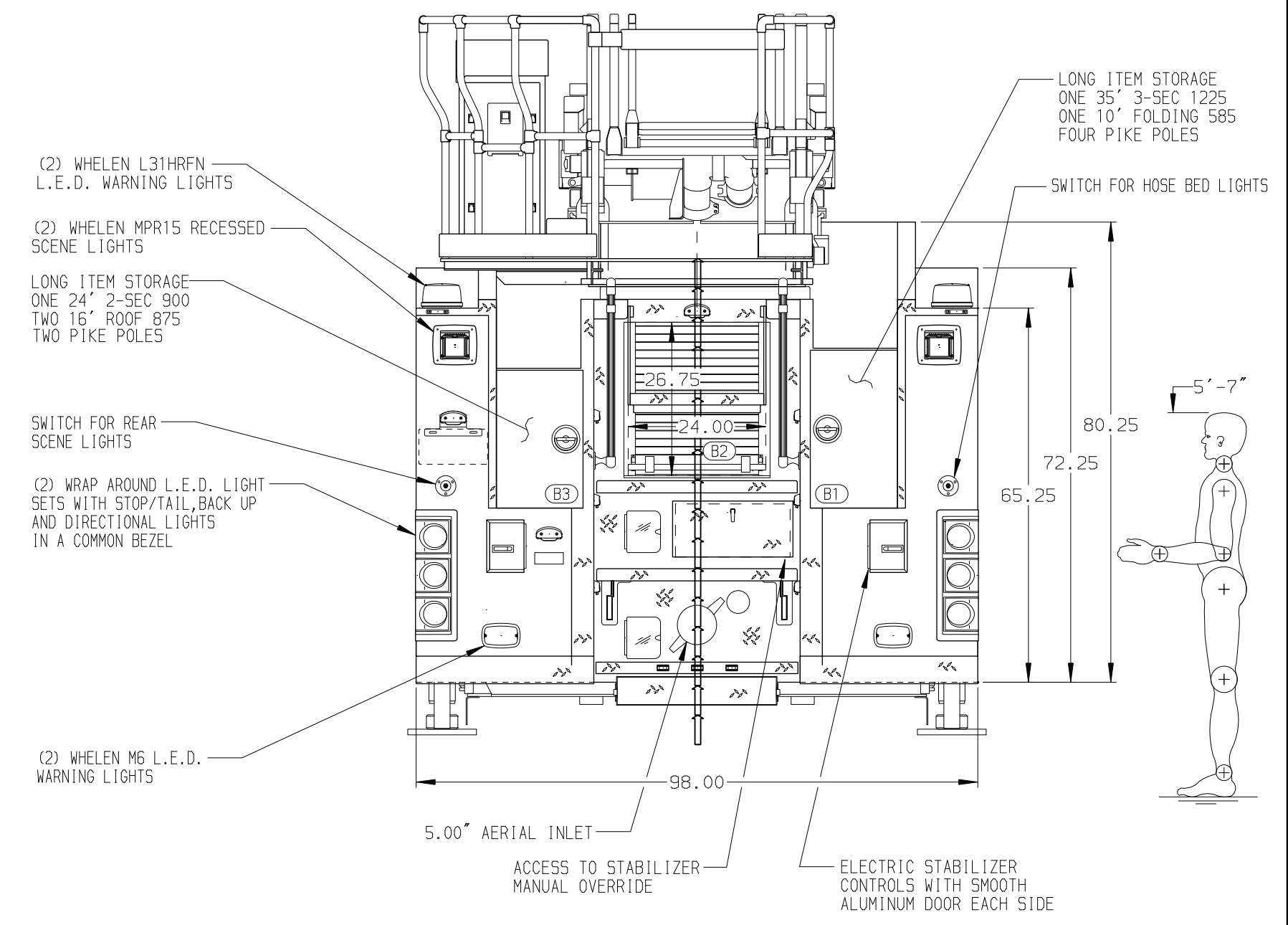
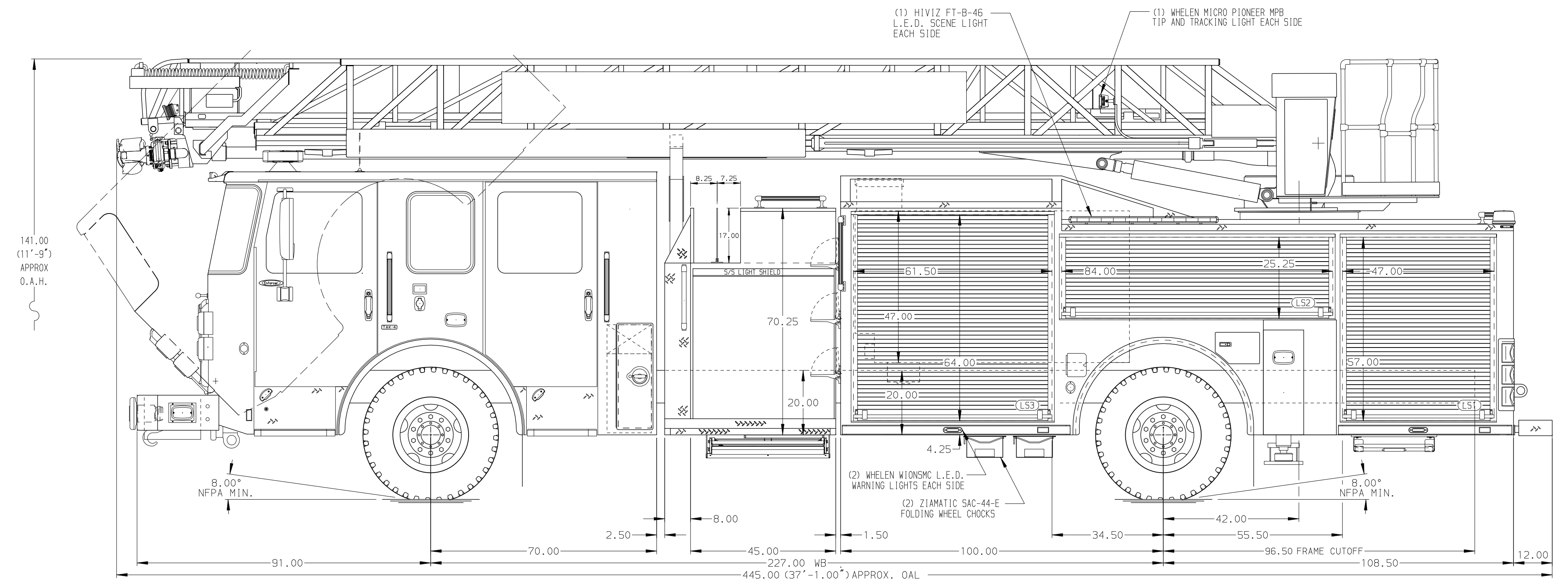


<b>BODY</b> 75' HAL Aluminum Body <b>COMPT, LEFT SIDE FRONT</b> Full Height RollUp Forward <b>COMPT, LEFT SIDE REAR</b> Full Height RollUp Rearward <b>COMPT, RIGHT SIDE FRONT</b> Full Height RollUp Forward <b>COMPT, RIGHT SIDE REAR</b> Full Height RollUp Rearward	<b>WATER TANK</b> 500 Gallon Poly Water Tank <b>Foam System</b> Plumbing for Future Husky Foam System <b>Foam Cell</b> 20 Gallon Foam Cell, Non-Reduced Water
--	--



<b>CHASSIS</b> Enforcer Chassis <b>ENGINE</b> 450 HP Cummins L9 Engine	<b>CAB</b> 7000 Enforcer Cab <b>BUMPER</b> 22" Extended Painted Steel	<b>AXLE, FRONT, CUSTOM</b> 19,500 Lb TAK-4 Axle <b>AXLE, REAR</b> 33,500 Lb Meritor Axle	<b>TRANSMISSION</b> Allison 5th Gen, 3000 EV5 P	<b>PUMPHOUSE</b> 45" Control Zone Side Mount <b>PUMP</b> 1500 GPM Waterous CSU	<b>CROSSLAYS, 1.50"</b> (2) 1.50" Standard Capacity <b>CROSSLAYS, 2.50"</b> 2.50" Crosslay Not Required	<b>SPEEDLAYS</b> Speedlays Not Required <b>GENERATOR</b> Generator Not Required
---	--	---	--	---	--	--

**NOTE**  
DIMENSIONS SHOWN ARE APPROXIMATE AND ARE SUBJECT TO MINOR DEVIATIONS AS MAY OCCUR OR BE NECESSARY IN CONSTRUCTION. MINOR DETAILS NOT SHOWN.

- ONE 2.50 OUTLET WITH 2.50 PIPING AND SWIVEL LOCATED ON RIGHT TOP DECK OF BUMPER
- SHOULDER RECEPTACLE WITH KUSSMAUL SUPER AUTO-EJECT LOCATED ON DRIVER SIDE OF THE CAB
- AIR INLET WITH DISCONNECT COUPLING IN THE DRIVER SIDE STEPWELL
- BATTERY CHARGER LOCATED BEHIND DRIVER SEAT
- BATTERY CHARGE INDICATOR LOCATED ON DRIVER SIDE OF THE CAB
- DUAL L.E.D. LIGHT STRIPS LOCATED IN HOSE BED
- ONE SWING-OUT TOOLBOARD IN COMPARTMENT PER SHOP ORDER
- FOUR FLOOR MOUNTED SLIDE-OUT TRAYS LOCATED IN COMPARTMENTS PER SHOP ORDER
- 7.00" AERIAL LIMITED RETRACTION
- MOUNTING PROVISIONS FOR FRONT INLET

- 1.50" RAISED AERIAL PEDESTAL
- 1500 GPM HIGH FLOW WATERWAY
- LIFTING EYE RESCUE ATTACHMENT AT AERIAL TIP
- PAC TRAC ON WALL OF COMPARTMENT PER SHOP ORDER
- PAC TRAC ON BACK WALL OF COMPARTMENT PER SHOP ORDER

		JOB NO.	37043
		SCALE	DATE
TITLE	75 AERIAL LADDER & BODY ASSEMBLY (HAL)	DRAWN BY	COL
FOR	MIAMI DADE FIRE RESCUE MIAMI, FL	CHECKED BY	THS
DWG NO.	37043AD	SHEET SIZE	SHEET NO.
		D	1 OF 1

REV	DATE	BY	CH	ENFORCER
06DEC21	LWE	THS		
10NOV21	LWE	NDA		