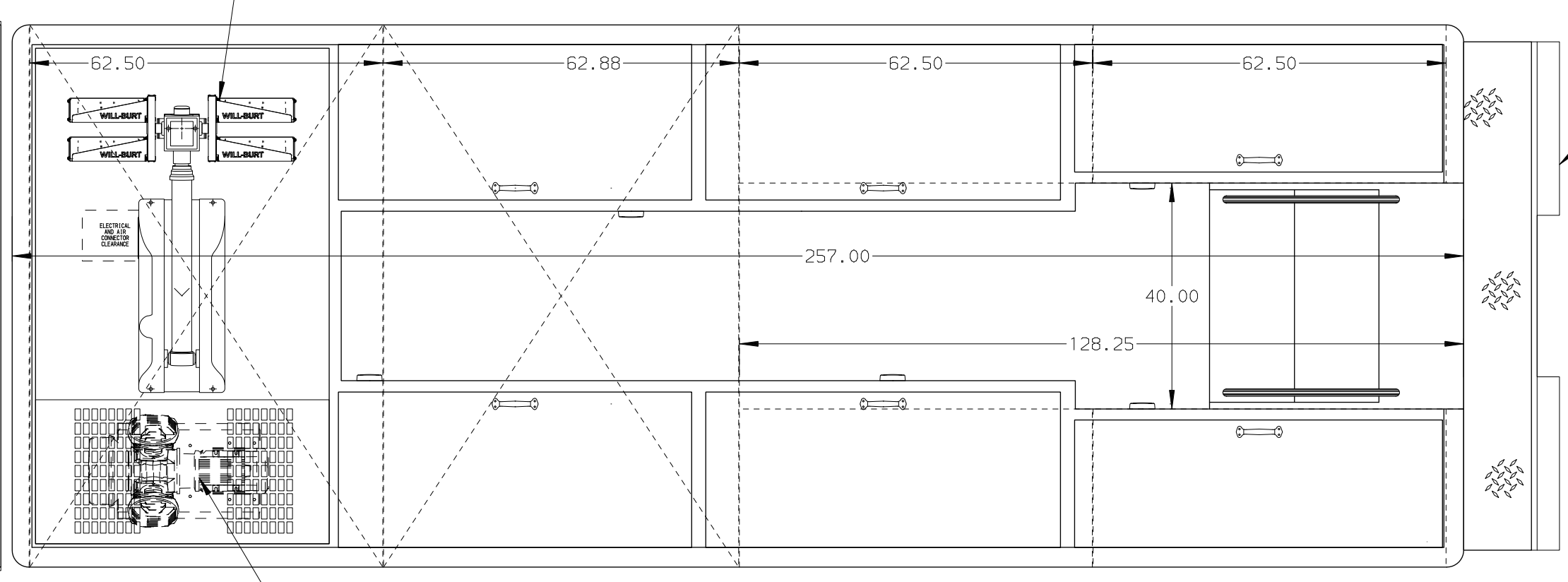
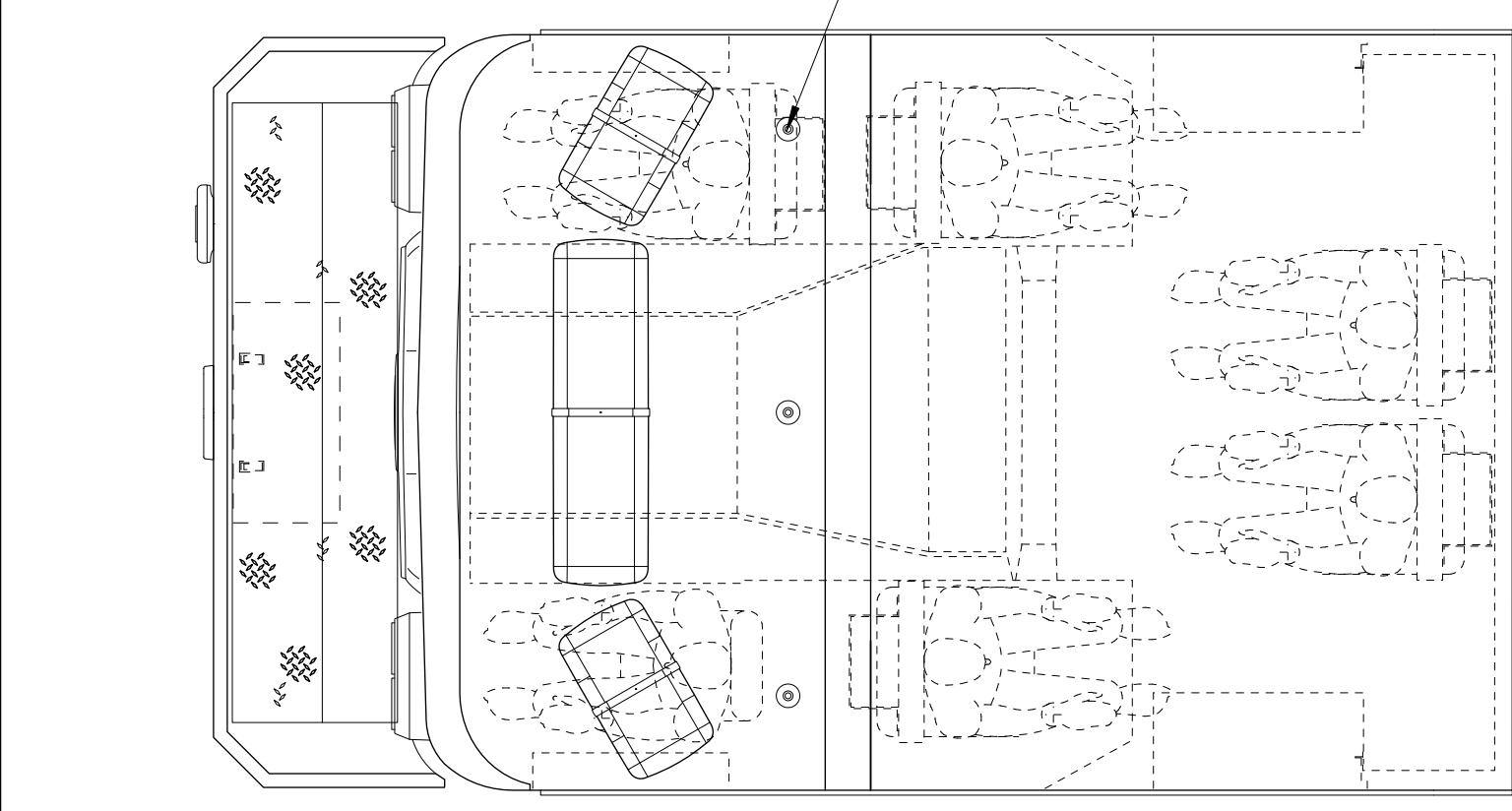
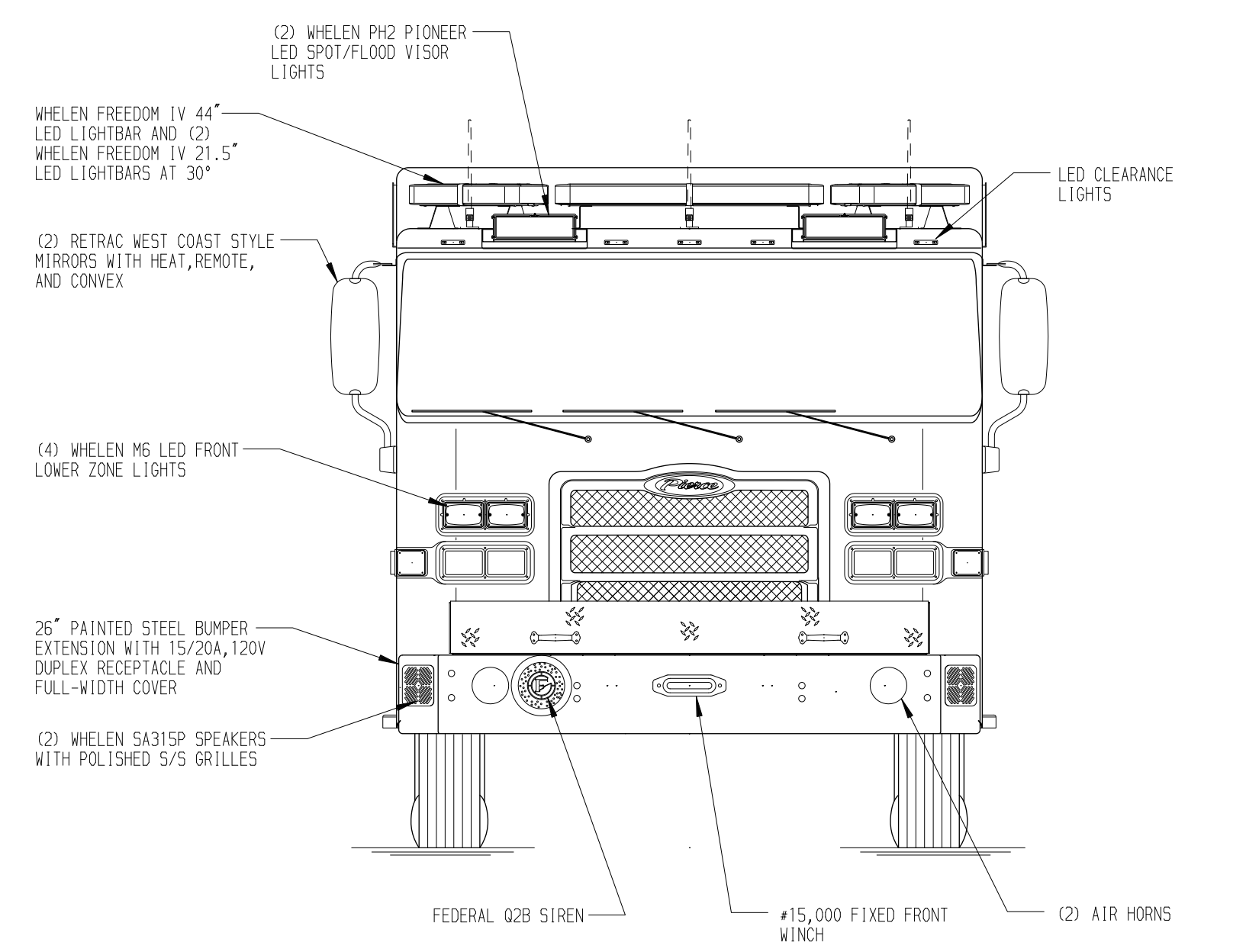
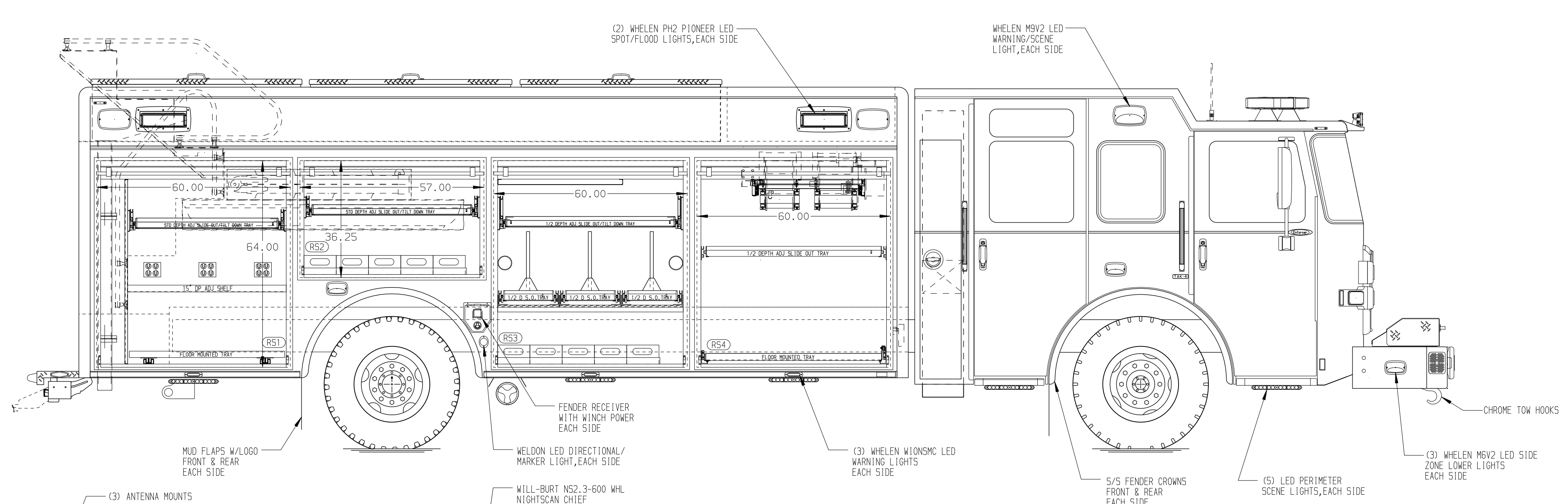
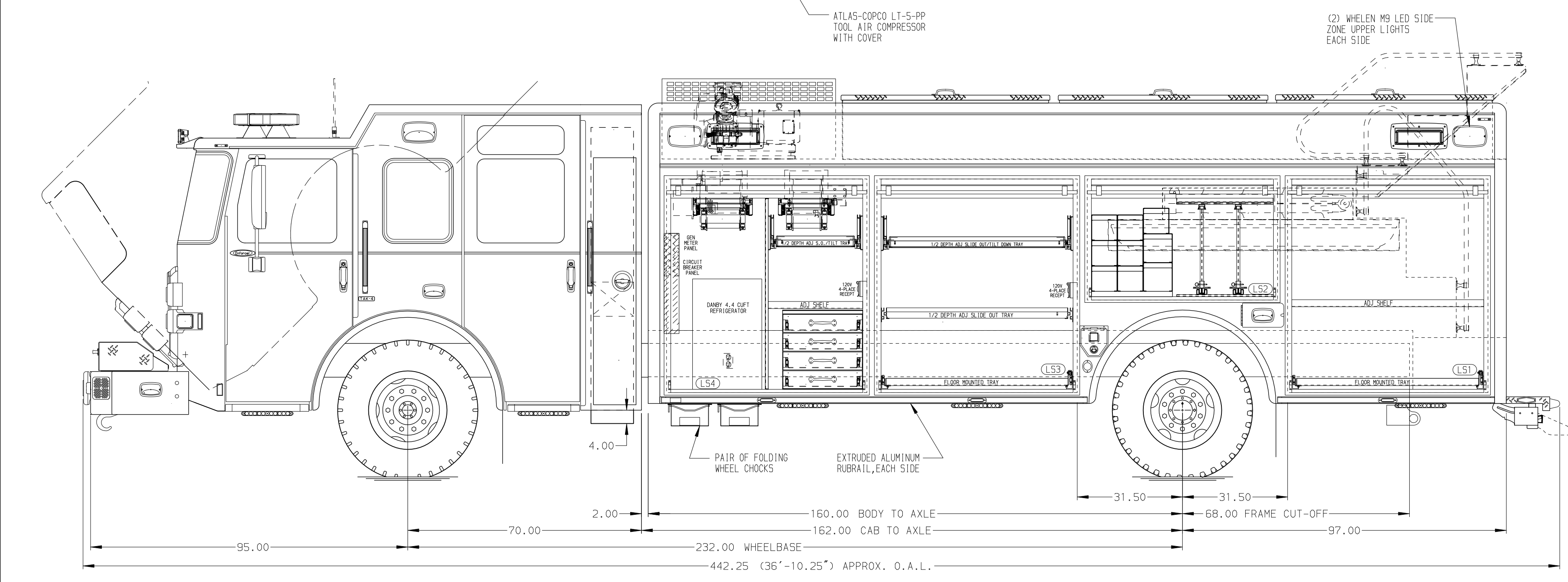


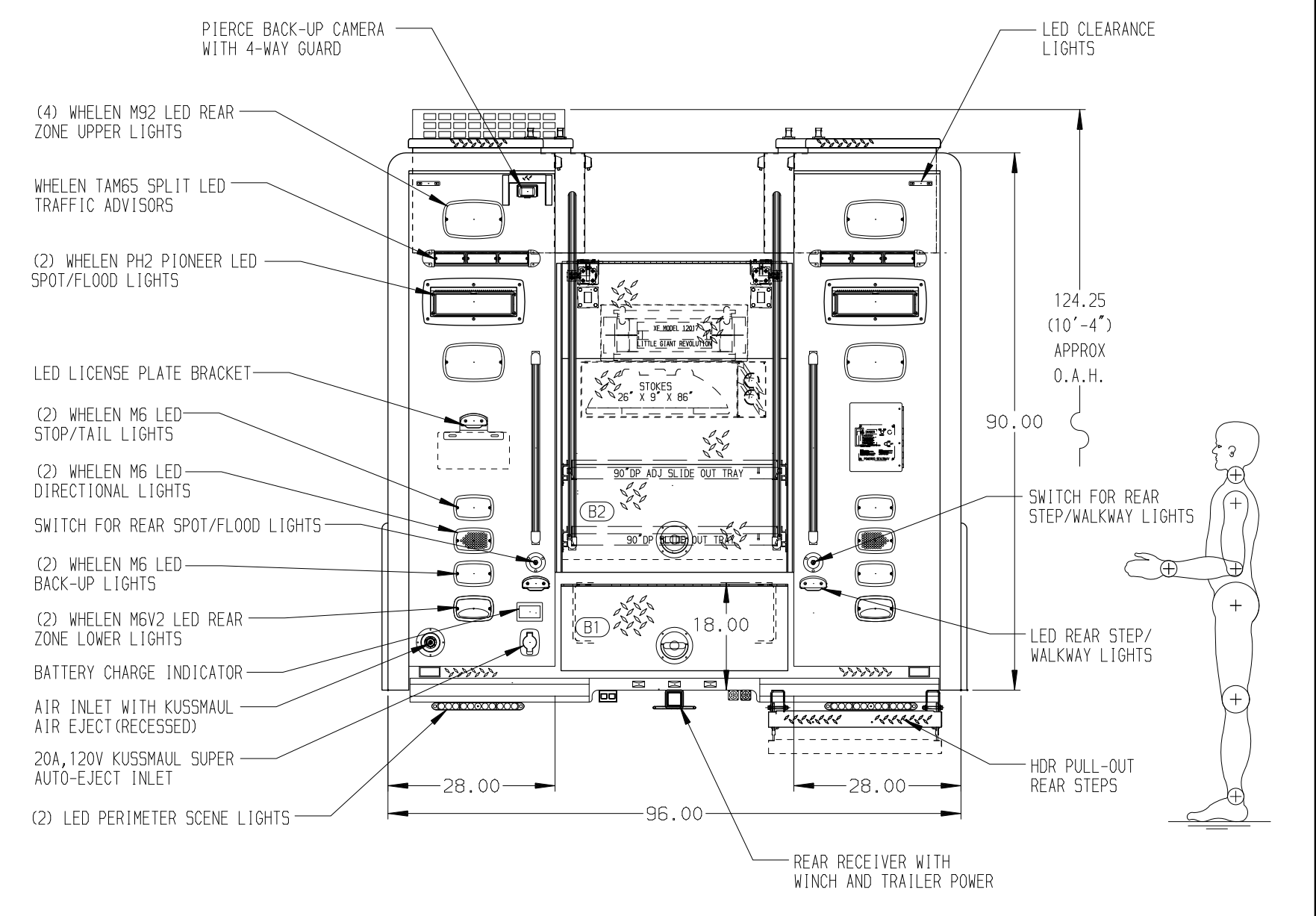
- RIGHT SIDE COMPARTMENTS CONTAIN THE FOLLOWING:**
- COMPARTMENT RS1 CONTAINS:**
- (1) VERTICAL COMPARTMENT DIVIDER
  - (1) OIL DRY HOPPER
  - (1) 15" DP ADJ. SHELF
  - (1) STD DEPTH ADJ. SLIDE OUT/TILT TRAY
  - (3) 15/20A, 120V 4-PLACE RECEPTACLES
- COMPARTMENT RS2 CONTAINS:**
- (4) POLY TOOL BOXES
  - (1) STD DEPTH ADJ. SLIDE OUT/TILT TRAY
  - 2" LIP ON FLOOR TO RETAIN POLY BOXES
- COMPARTMENT RS3 CONTAINS:**
- (4) POLY TOOL BOXES
  - (1) HORIZONTAL FLOOR EXTENSION
  - (1) RACK FOR AN AIR BAG
  - (2) PVC STORAGE TUBES
  - (1) 1/2 DEPTH ADJ. SLIDE OUT/TILT TRAY
  - (3) 1/2 DEPTH FLOOR MTD SLIDE OUT TRAYS WITH TOOLBOARDS
  - 2" LIP ON FLOOR TO RETAIN POLY BOXES
- COMPARTMENT RS4 CONTAINS:**
- (1) CAB LIFT CONTROLLER
  - (1) 1/2 DEPTH ADJ. SLIDE OUT TRAY
  - (1) STD DEPTH FLOOR MOUNTED TRAY WITH SIDE SLIDES
  - (1) ELECTRIC CORD REEL WITH 200' OF 10/3 YELLOW CORD
  - (1) TOOL AIR REEL WITH 200' OF HOSE
  - (1) SLIDE OUT ROLLER GUIDE BRACKET



- REAR COMPARTMENT CONTAINS THE FOLLOWING:**
- COMPARTMENT B1 CONTAINS:**
- - 
  -
- COMPARTMENT B2 CONTAINS:**
- (1) RACK FOR A LITTLE GIANT LADDER
  - (1) STOKES BASKET RACK
  - (1) RACK FOR 2 PIKE POLES
  - (1) 90" DP ADJ. SLIDE OUT TRAY
  - (1) 90" DP FLOOR MTD SLIDE OUT TRAY



- LEFT SIDE COMPARTMENTS CONTAIN THE FOLLOWING:**
- COMPARTMENT LS1 CONTAINS:**
- (1) STD DEPTH ADJ. SHELF
  - (1) STD DEPTH FLOOR MOUNTED TRAY WITH SIDE SLIDES
- COMPARTMENT LS2 CONTAINS:**
- (2) 1/2 DEPTH ADJ. SLIDE OUT TOOLBOARDS
  - (1) RACK FOR 7 SCBA BOTTLES AND (2) FIRE EXTINGUISHERS
- COMPARTMENT LS3 CONTAINS:**
- (1) 1/2 DEPTH ADJ. SLIDE OUT TRAY
  - (1) 1/2 DEPTH ADJ. SLIDE OUT/TILT TRAY
  - (1) STD DEPTH FLOOR MOUNTED TRAY WITH SIDE SLIDES
  - (1) 15/20A, 120V 4-PLACE RECEPTACLE
- COMPARTMENT LS4 CONTAINS:**
- (1) KUSSMAUL 1200 CHARGER
  - (1) 4-DRAWER TOOL CABINET
  - (1) VERTICAL COMPARTMENT DIVIDER
  - (1) 1/2 DEPTH ADJ. SHELF
  - (1) 1/2 DEPTH ADJ. SLIDE OUT/TILT TRAY
  - (1) DANBY 4.4 CU. FT. REFRIGERATOR
  - (1) CIRCUIT BREAKER PANEL
  - (1) GENERATOR METER PANEL
  - (1) NIGHTSCAN CONTROLLER
  - (1) ELECTRIC CORD REEL WITH 200' OF 10/3 YELLOW CORD
  - (1) TOOL AIR REEL WITH 200' OF HOSE
  - (1) 15/20A, 120V DUPLEX RECEPTACLE
  - (1) 15/20A, 120V 4-PLACE RECEPTACLE
  - (2) SLIDE OUT ROLLER GUIDE BRACKETS



**NOTE**  
DIMENSIONS SHOWN ARE APPROXIMATE AND ARE SUBJECT TO MINOR DEVIATIONS AS MAY OCCUR OR BE NECESSARY IN CONSTRUCTION. MINOR DETAILS NOT SHOWN.

- NOTES:**
- ONAN 25KW SINGLE PHASE PTO DRIVEN GENERATOR WITH SPLASH GUARD LOCATED BETWEEN THE FRAME RAILS.
  - ONSPOT AUTOMATIC TIRE CHAINS
  - WARN #9,000 PORTABLE RECEIVER STYLE WINCH
  - BRUSHED S/S SCUFFPLATES ON CAB AND CREW CAB DOOR JAMBS
  - FLOOR IN THE CAB AND CREW CAB SHALL BE PADDED RUBBER
  - S/S GUARDS ON ALL BODY ROLL-UP DOORS
  - PIERCE LED STRIP LIGHTS LOCATED IN ALL BODY AND HATCH COMPARTMENTS
  - TURTLTILE ON COMPARTMENT FLOORS LS3, LS4(RIGHT), RS1 AND HATCH COMPARTMENT FLOORS
  - TURTLTILE ON ALL SHELVES AND TRAYS
  - 15A, 120V 6-PLACE RECEPTACLE LOCATED ON THE RIGHT SIDE OF THE ENGINE TUNNEL
  - 15/20A, 120V DUPLEX RECEPTACLE LOCATED NEXT TO THE SHORELINE RECEPTACLE

SIDE ROLL AND FRONTAL IMPACT PROTECTION

**CLEAR DOOR WIDTH KEY**

AMDR ROLL UP DOORS:	-2 1/4"
CURTLE ROLL UP DOORS:	-2 1/2"
PIERCE DOUBLE LIP DOORS:	-4 1/4"
PIERCE LIFT-UP LIP DOORS:	-1 1/2"

(EX: 60" F-F - 2 1/4" = 57 3/4" CLEAR)  
(F-F) = FRAME TO FRAME

**CUSTOMER APPROVAL**

APPROVED BY: \_\_\_\_\_

DATE: \_\_\_\_\_

REV	DATE	BY	CH

<b>Pierce MANUFACTURING INC.</b>		JOB NO.	37048
TITLE		SCALE	DATE
HEAVY DUTY RESCUE NON-WALKIN		1:24	
FOR		DRAWN BY	04FEB22
SLATE HILL FIRE DISTRICT		CHECKED BY	10FEB22
BLD #553		CDK	
JEREMY COHEN		SHEET SIZE	SHEET NO.
DWG NO.		37048AD	1 OF 1