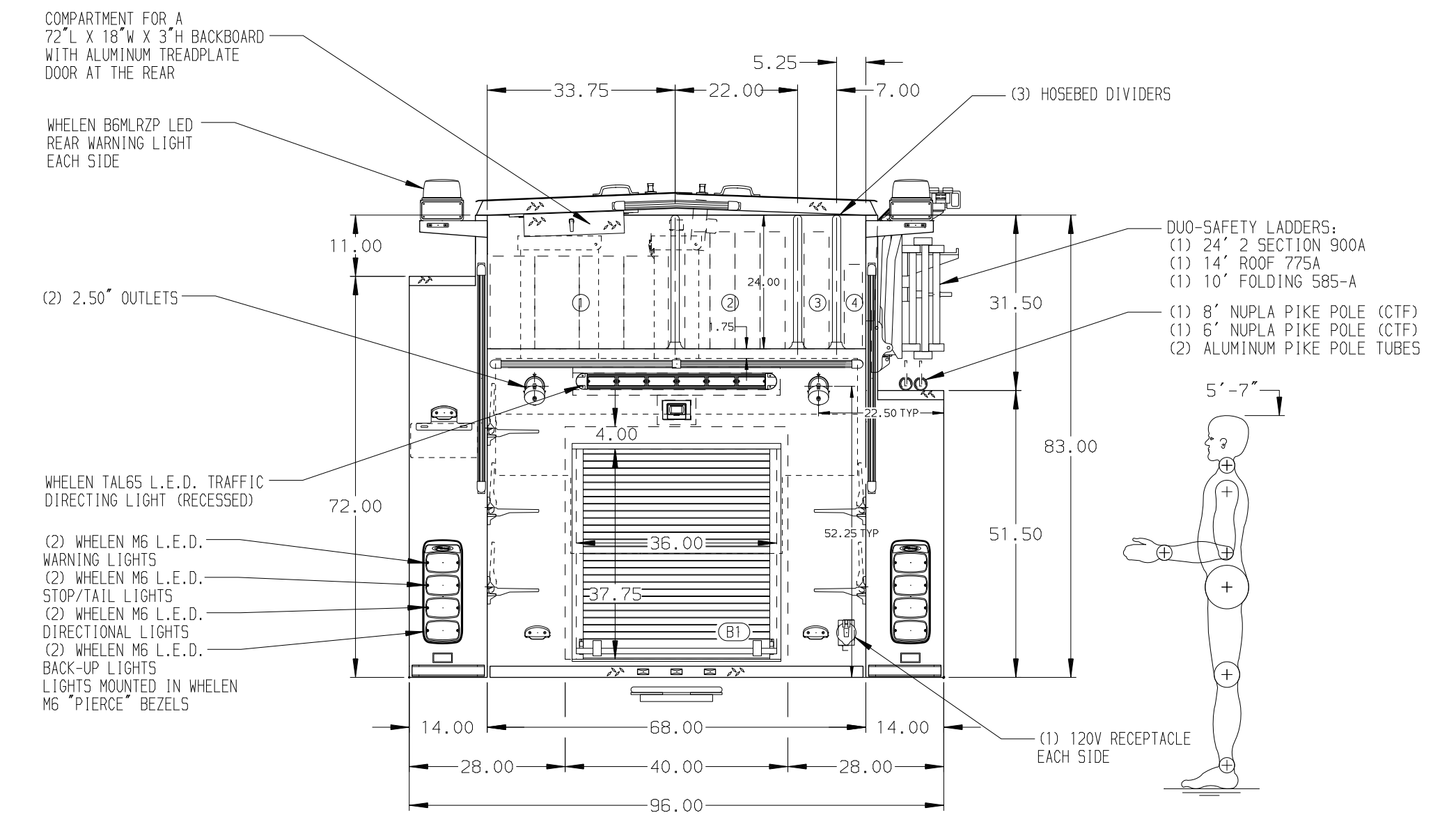
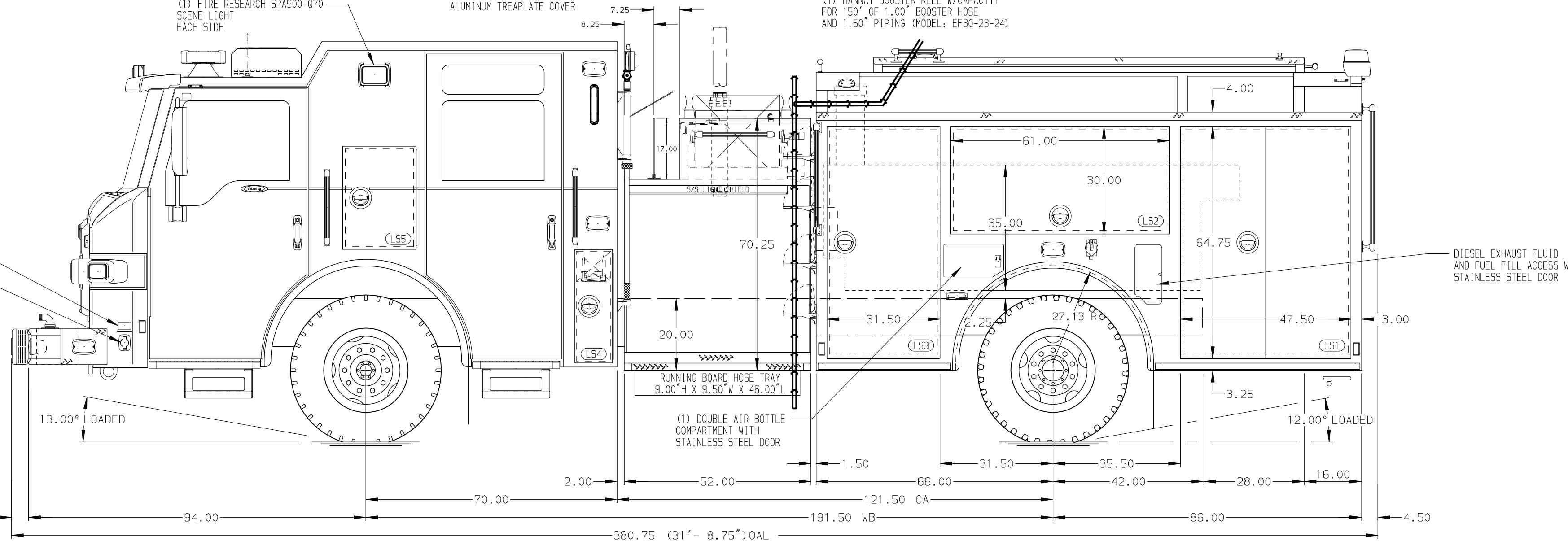


- HOSEBED CAPACITIES
- ① 800' OF 5.00\"/>



GALVANNEAL

MAXIMUM O.A.H. 124.00"

SIDE ROLL AND FRONTAL IMPACT PROTECTION

NOTE
DIMENSIONS SHOWN ARE APPROXIMATE AND ARE SUBJECT TO MINOR DEVIATIONS AS MAY OCCUR OR BE NECESSARY IN CONSTRUCTION. MINOR DETAILS NOT SHOWN.

1. WHEEL CHOCKS AND MOUNTING BRACKETS PROVIDED BY FIRE DEPARTMENT
2. AIR INLET W/DISCONNECT COUPLING LOCATED IN DRIVER'S SIDE STEP WELL
3. TROUGH FOR D-HANDLE RUBBISH HOOK LOCATED IN TRANSVERSE COMPARTMENT OF L54/R54
4. BATTERY CHARGER MOUNTED BEHIND DRIVER'S SEAT
5. DUAL L.E.D. LIGHT STRIPS FOR HOSE BED LOCATED IN HOSE BED COVER
6. STAINLESS STEEL SCUFFPLATE ON BODY REAR CORNERS
7. PULL STRAP ON DOOR IN COMPARTMENT L52
8. REVERSE HINGE ON COMPARTMENT L53
9. SCUFFPLATE INSIDE EACH BODY COMPARTMENT DOOR
10. DUAL L.E.D. LIGHT STRIPS ON EACH SIDE OF ALL BODY COMPARTMENTS
11. TEN SPECIAL SIDE HEIGHT 500LB CAPACITY FULL WIDTH/DEPTH ADJUSTABLE SHELVES PER SHOP ORDER
12. ONE 250LB CAPACITY ADJUSTABLE SLIDE-OUT TRAY PER SHOP ORDER
13. FOUR 500LB CAPACITY FLOOR MOUNTED SLIDE OUT FULL WIDTH/FULL DEPTH TRAYS PER SHOP ORDER
14. TURTLE TILE MATTING PER SHOP ORDER
15. ONE ALUMINUM LONG TOOL STORAGE TUBE THROUGH COMPARTMENT B1
16. CIRCUIT BREAKER PANEL IN COMPARTMENT L53

CUSTOMER APPROVAL				
APPROVED BY:				
DATE:				
REV	DATE	BY	CH	VELOCITY FR

Pierce MANUFACTURING INC.

CHASSIS DATA
MAKE: PIERCE
MODEL: 1500-D-750P

TITLE: 1500-D-750P, 725G WATER W/25G FOAM, 152" BODY
FOR: CITY OF YUBA CITY
YUBA CITY, CALIFORNIA

DWG NO. 37087AD

JOB NO.	37087
SCALE	1:24
DATE	
DRAWN BY	SAM
CHECKED BY	WKL
SHEET SIZE	D
SHEET NO.	1 OF 1