

Pumper, PUC

BODY

Pumper, PUC, Aluminum

CHASSIS

Enforcer Chassis, PUC

CHASSIS

AXLE, FRONT, CUSTOM

22,800 Lb TAK-4 Axle

AXLE, REAR

27,000 Lb Meritor Axle

ENGINE

500 HP Cummins X12 Engine

TRANSMISSION

Allison 5th Gen, 4500 EVS P

BUMPER

19" Extended Stainless Steel

CAB

7010 Enforcer Cab, PUC

BODY

WATER TANK

1000 Gallon Poly Water Tank

COMPT, PUMPER, REAR

40.50" FF RollUp Rear Compt w/Tailboard, PUC

COMPT, PUMPER, LEFT SIDE

214" RollUp Full Height & Depth Front & Rear, PUC

COMPT, PUMPER, RIGHT SIDE

214" RollUp Full Height & Depth Front & Rear, PUC

FIRE SUPPRESSION

PUMPHOUSE

Control Zone, PUC

PUMP

1500 GPM Pierce PUC

CROSSLAYS, 1.50"

(2) 1.50", Poly Trays, 200"

CROSSLAYS, 2.50"

(1) 2.50", Poly Tray, 200"

GENERATOR

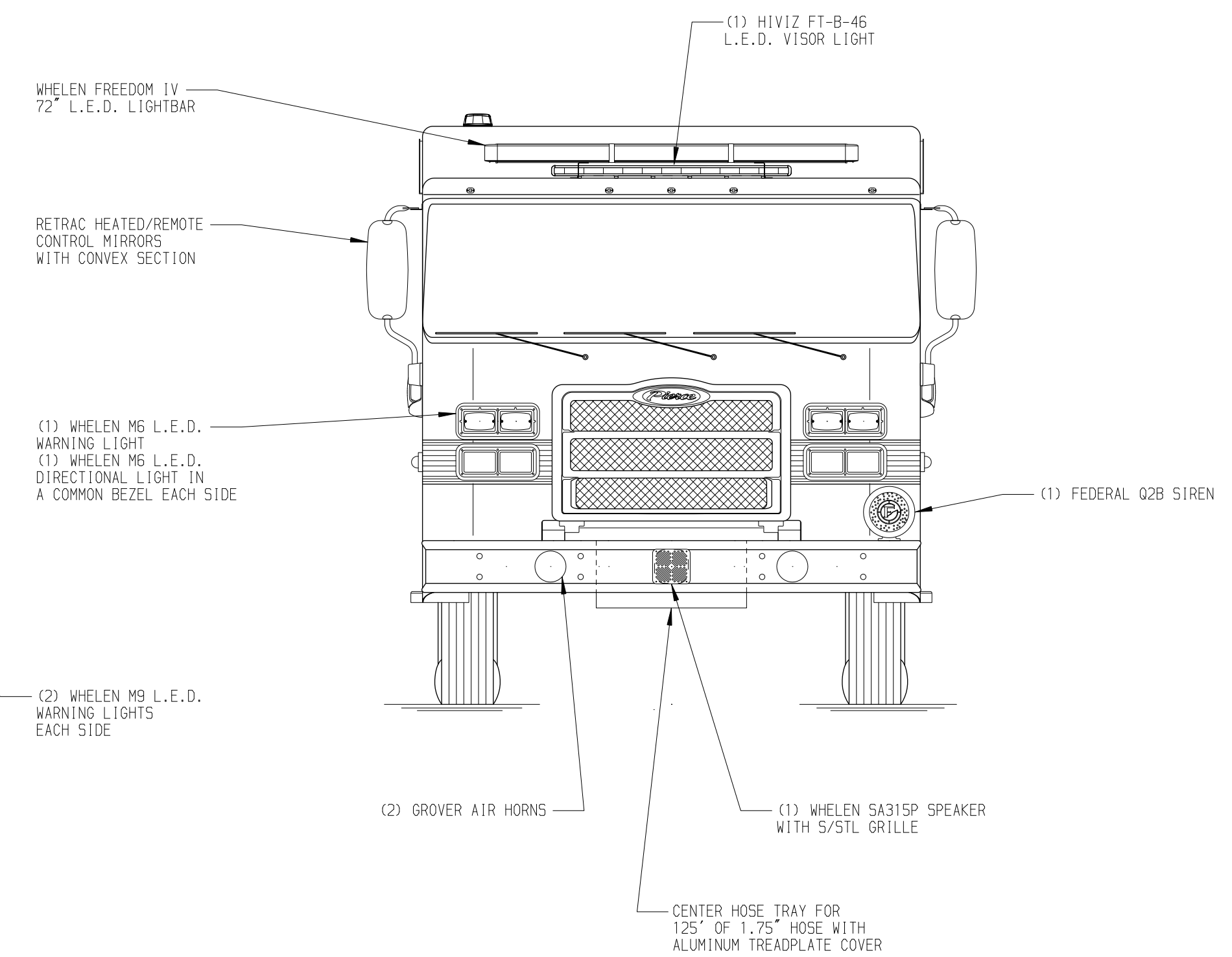
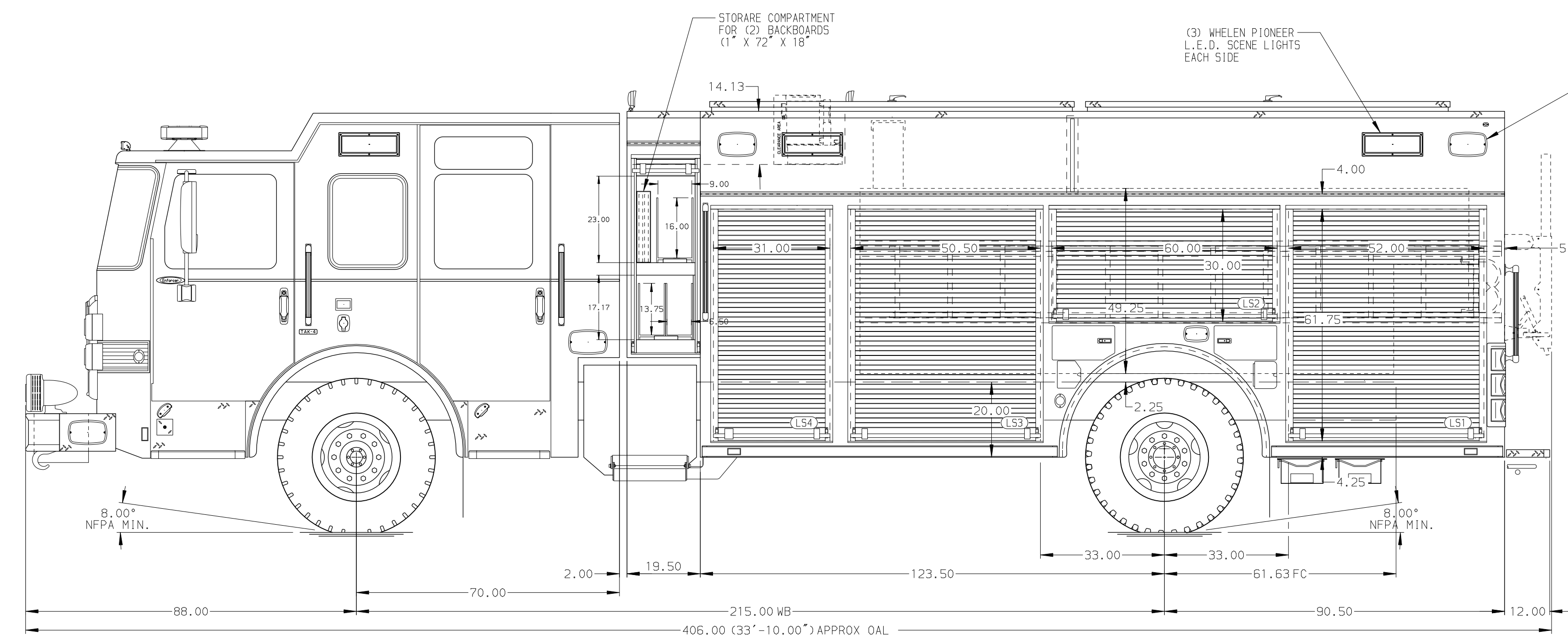
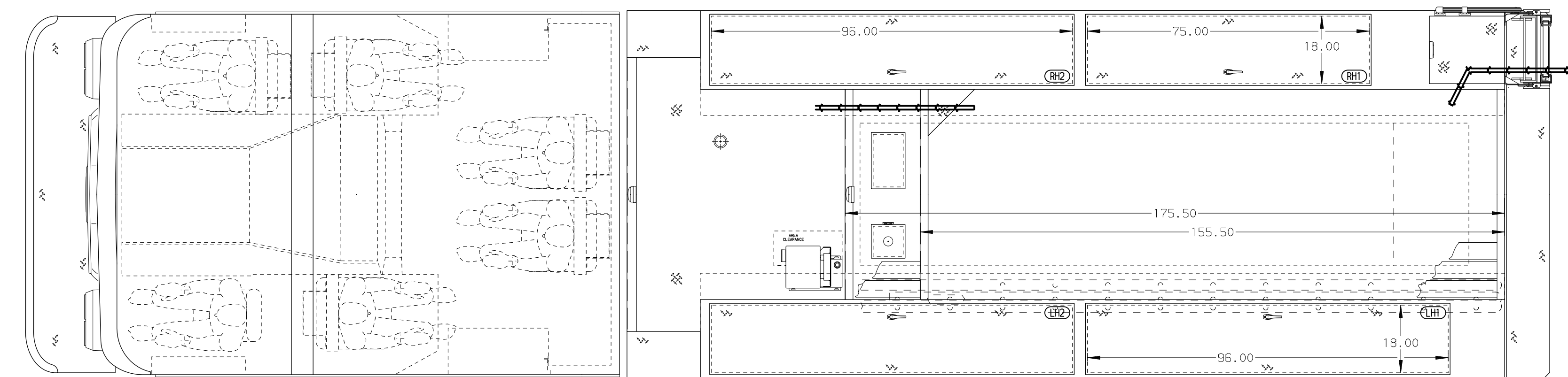
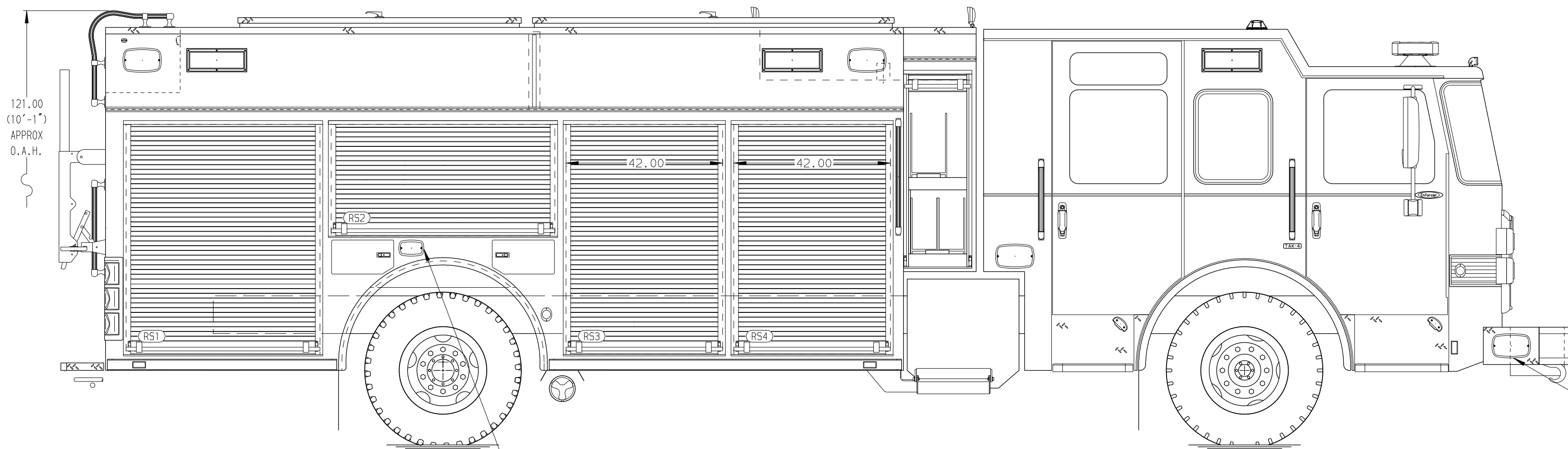
Generator Not Required

Foam System

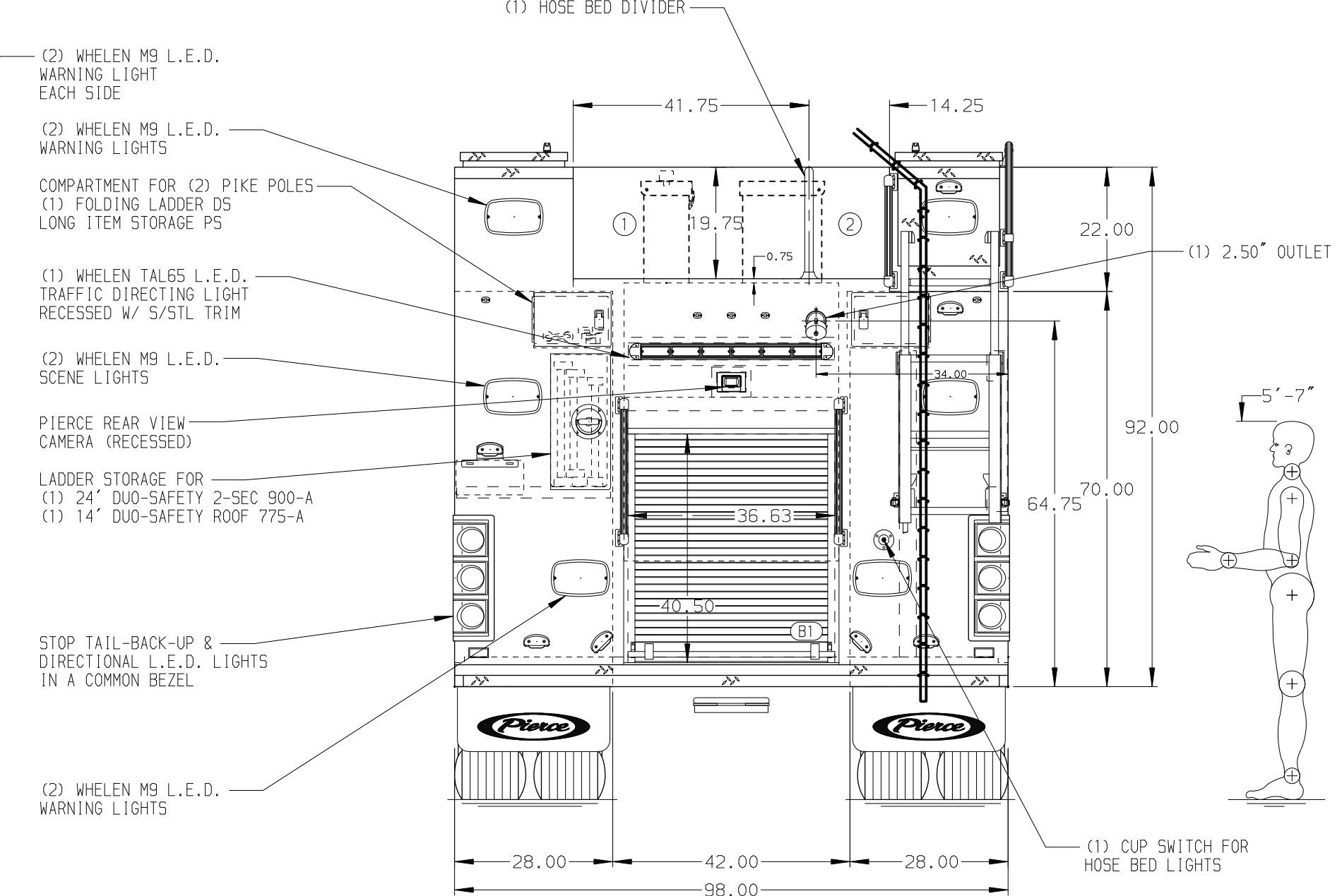
Husky 3 Single Agent Foam System

Foam Cell

30 Gallon Foam Cell, Not Reduced Water, PUC



HOSEBED CAPACITY	
BED 1	1000' OF 5.00" D.J. POLY HOSE
BED 2	600' OF 2.50" D.J. POLY HOSE



NOTE
DIMENSIONS SHOWN ARE APPROXIMATE AND ARE SUBJECT TO MINOR DEVIATIONS AS MAY OCCUR OR BE NECESSARY IN CONSTRUCTION. MINOR DETAILS NOT SHOWN.

- ONE 1.50 OUTLET WITH 2.00 PIPING AND SWIVEL LOCATED IN CENTER BUMPER TRAY
- SHORELINE RECEPTACLE WITH KUSSMAUL SUPER AUTO-EJECT LOCATED ON DRIVER SIDE OF THE CAB
- AIR INLET WITH DISCONNECT COUPLING IN THE DRIVER SIDE STEPWELL
- BATTERY CHARGER LOCATED BEHIND DRIVER'S SEAT
- BATTERY CHARGE INDICATOR LOCATED ON DRIVER SIDE OF THE CAB
- FIVE ADJUSTABLE SHELVES LOCATED PER SHOP ORDER
- FOUR FLOOR MOUNTED SLIDE-OUT TRAYS LOCATED PER SHOP ORDER
- TWO SWING-OUT TOOLBOARDS LOCATED PER SHOP ORDER

CUSTOMER APPROVAL			
APPROVED BY:			
DATE:			
REV	DATE	BY	CH
29SEP21		MMF	THS

Pierce MANUFACTURING INC.		JOB NO.	37091
TITLE	Pierce PUC Approval Drawing	SCALE	1:24
DATE		DATE	
MAKE	Pierce	DRAWN BY	MMF
FOR	Pierce Stock Unit	CHECKED BY	THS
MODEL	ENFORCER	SHEET SIZE	D
DWG NO.	37091AD	SHEET NO.	1 OF 1