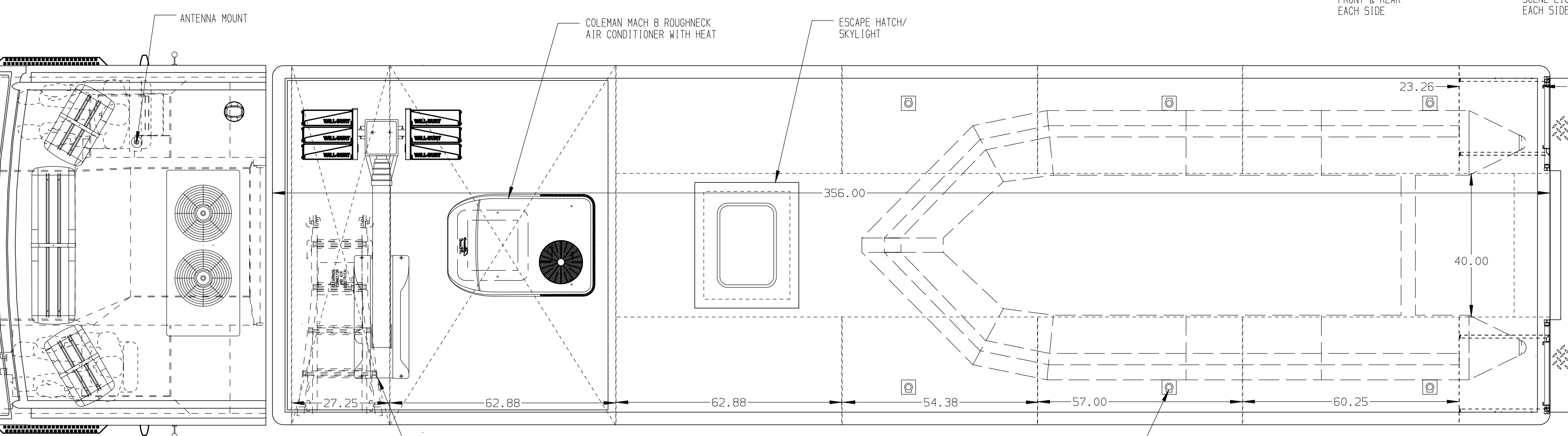
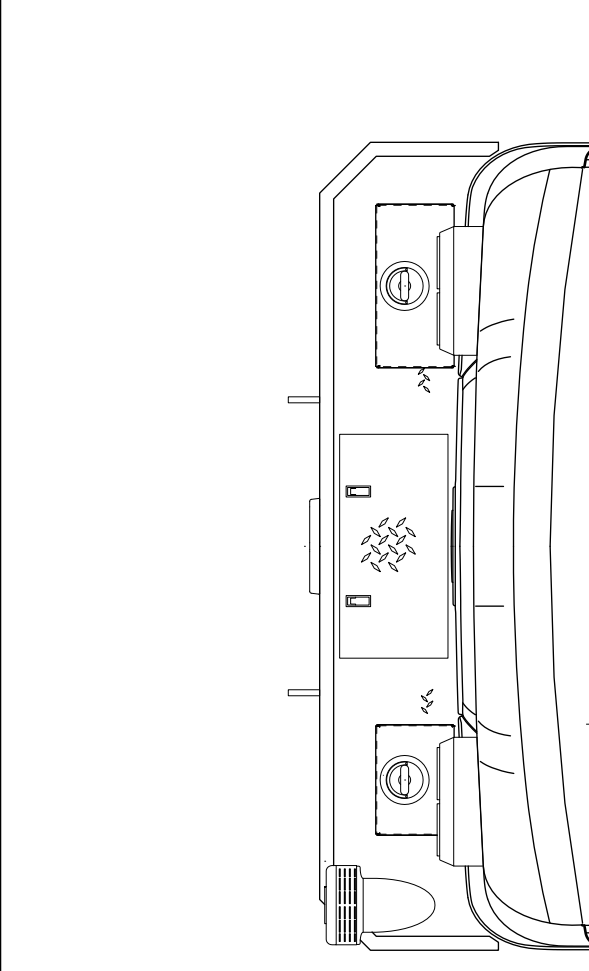
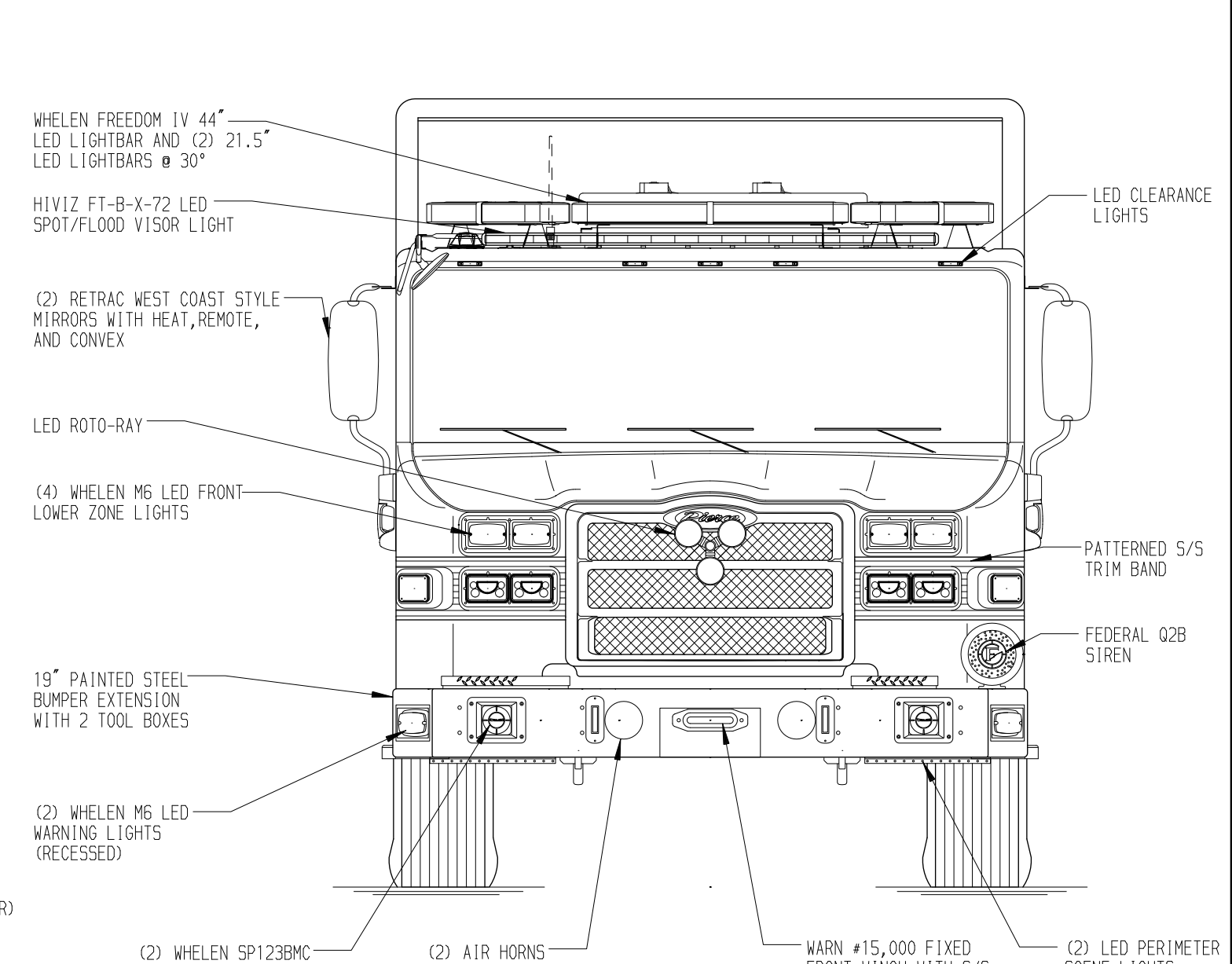
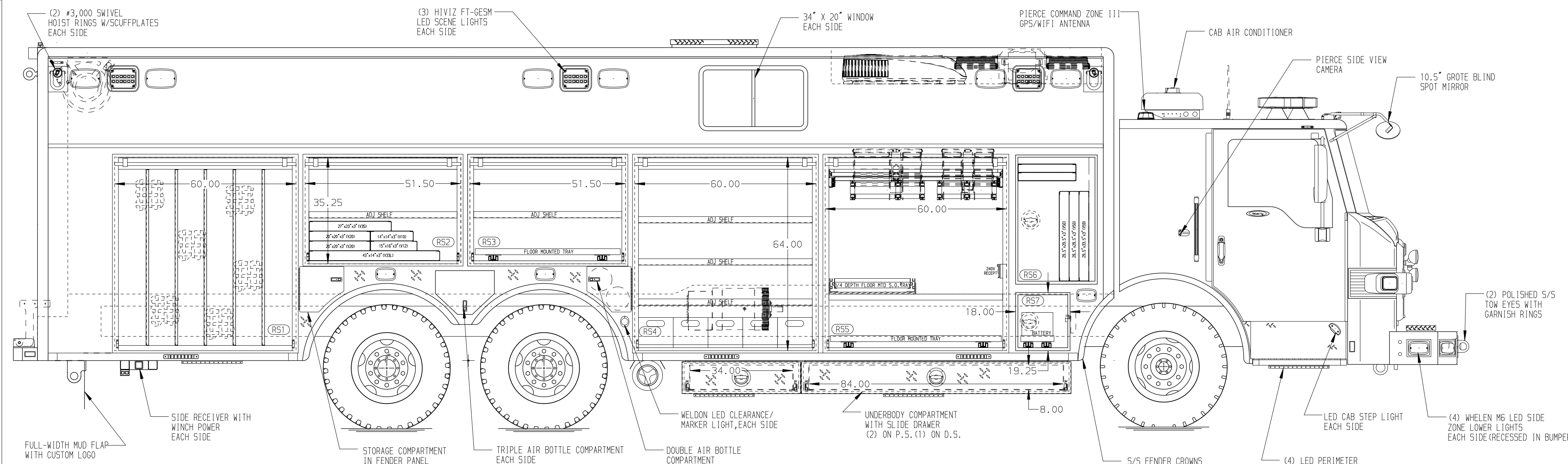
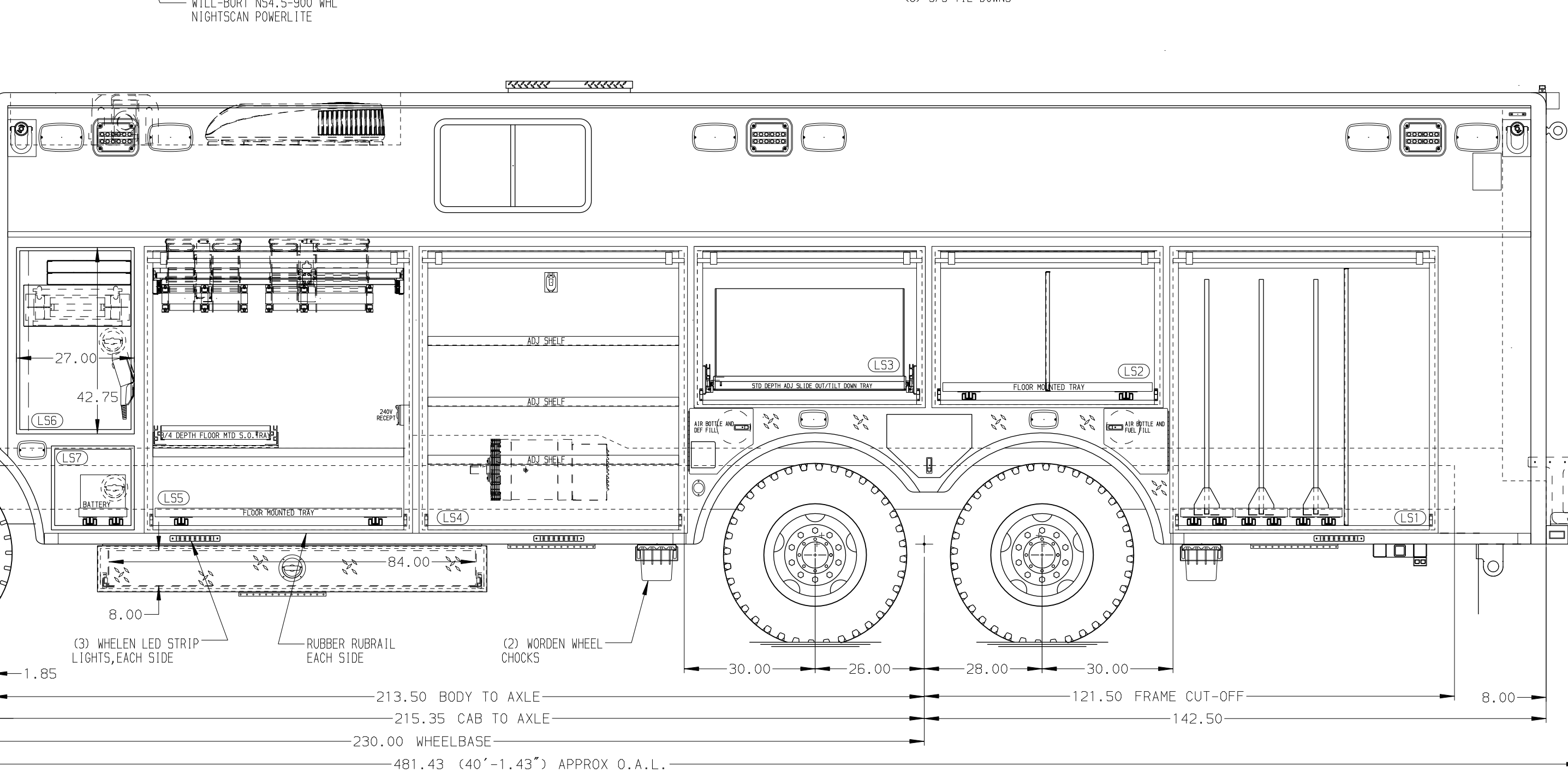
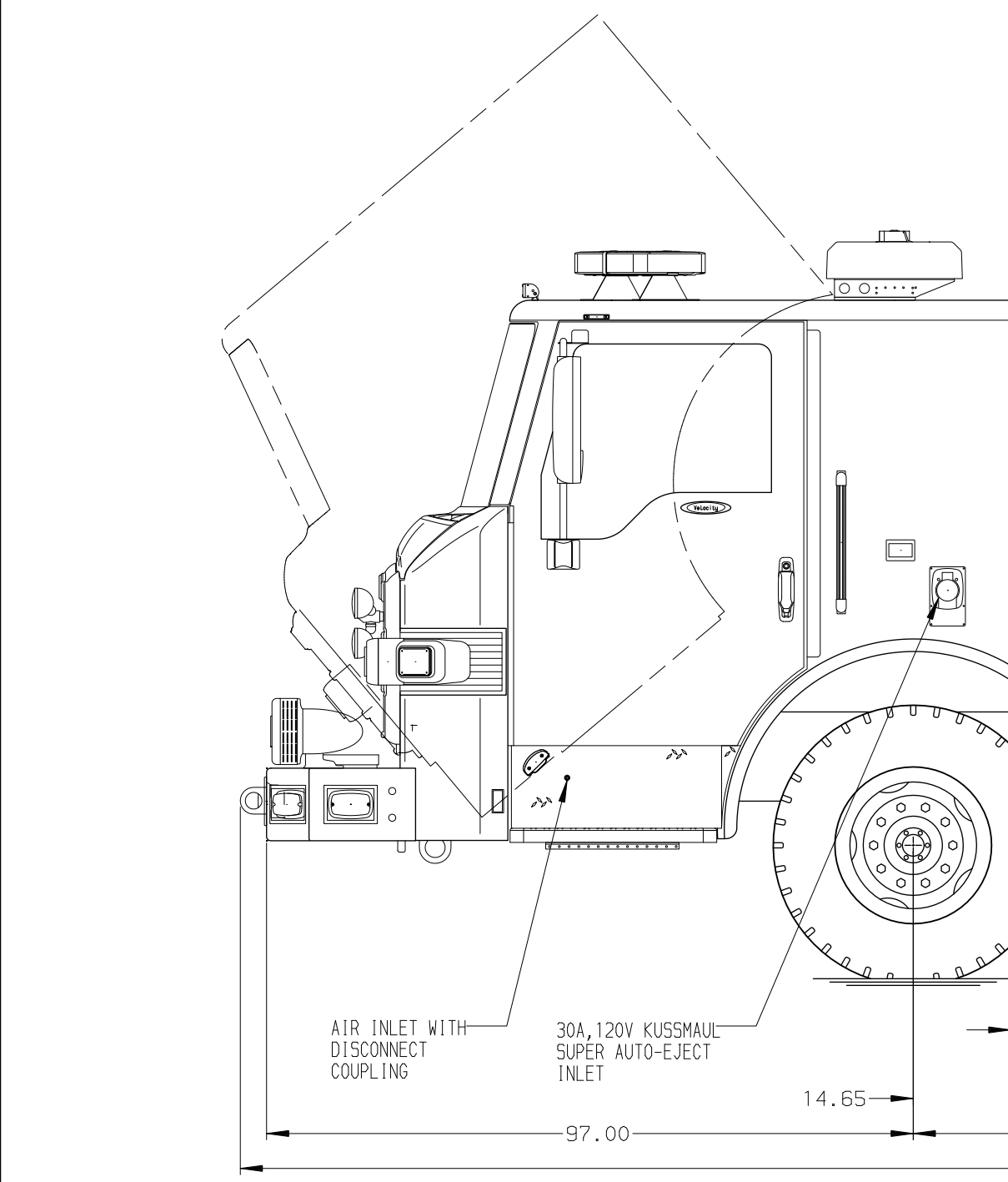
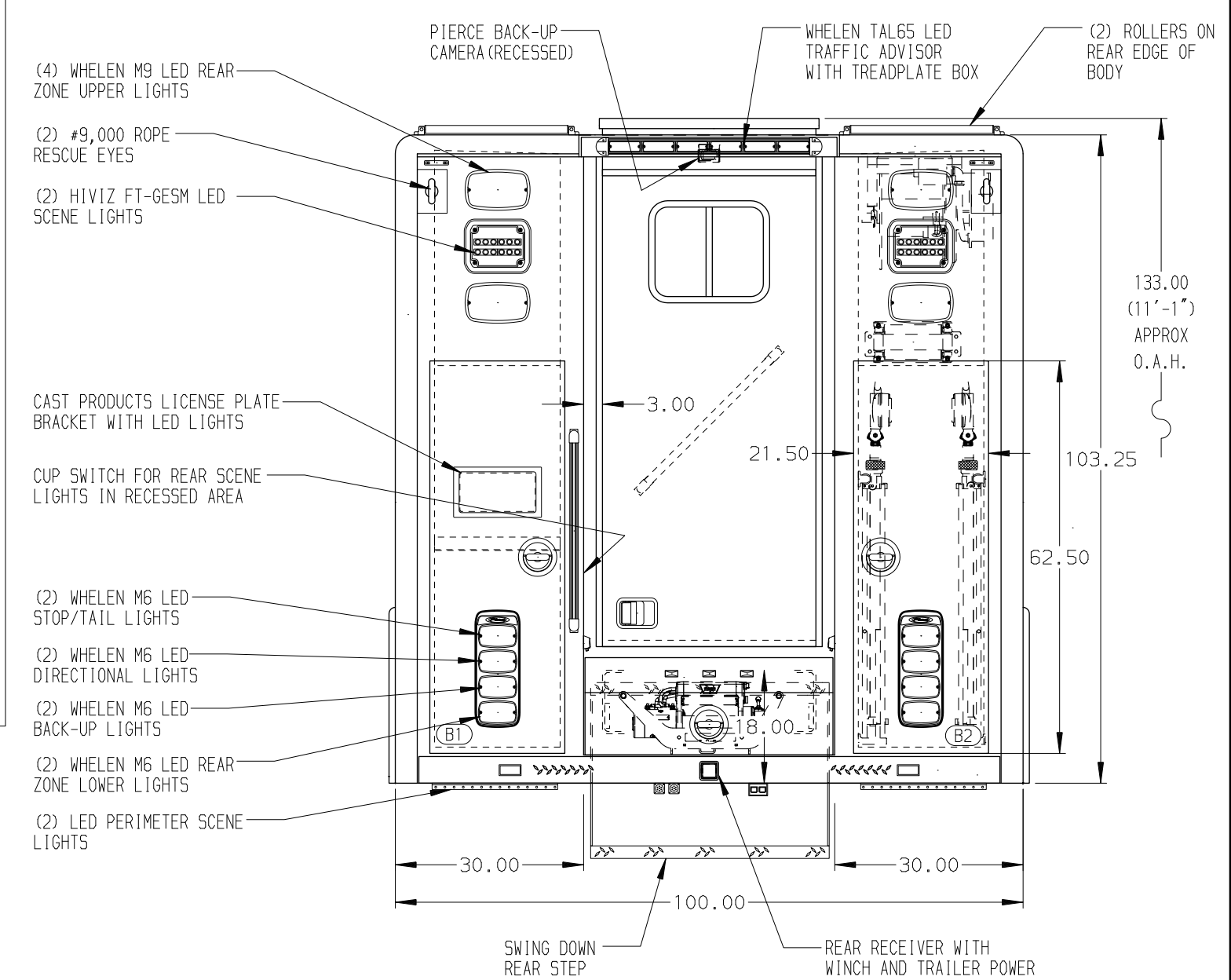


- RIGHT SIDE COMPARTMENTS CONTAIN THE FOLLOWING:**
- COMPARTMENT R51 CONTAINS:
 - CARGO RETENTION NETTING
 - (5) ADJ VERTICAL COMPARTMENT DIVIDERS
 - FALSE FLOOR TO BE EVEN WITH SHELF TRACK
 - COMPARTMENT R52 CONTAINS:
 - (1) STD DEPTH ADJ SHELF
 - (1) RACK FOR 6 AIR BAGS
 - COMPARTMENT R53 CONTAINS:
 - (1) STD DEPTH ADJ SHELF
 - (1) STD DEPTH FLOOR MOUNTED TRAY
 - COMPARTMENT R54 CONTAINS:
 - (5) POLY TOOL BOXES
 - (3) STD DEPTH ADJ SHELVES
 - COMPARTMENT R55 CONTAINS:
 - (1) 3/4 DEPTH FLOOR MTD SLIDE OUT TRAY
 - (1) STD DEPTH FLOOR MTD SLIDE OUT TRAY
 - (1) HORIZONTAL FLOOR EXTENSION
 - (1) 30A, 240V T.L. RECEPTACLE
 - (1) CMW DUAL ELEC/HYDRAULIC REEL WITH 200' OF 10/3 YELLOW CORD AND CAPACITY FOR 100' OF HYDRAULIC HOSE
 - (1) CMW DUAL HYDRAULIC REEL WITH CAPACITY FOR 100' OF HOSE ON EACH SIDE
 - (1) SLIDE OUT ROLLER GUIDE BRACKET
 - COMPARTMENT R56 CONTAINS:
 - (1) RACK FOR 3 AIR BAGS
 - (1) RACK FOR 2 BACKBOARDS



- LEFT SIDE COMPARTMENTS CONTAIN THE FOLLOWING:**
- COMPARTMENT L51 CONTAINS:
 - (3) STD DEPTH FLOOR MTD SLIDE OUT TRAYS WITH TOOLBOARDS
 - (1) VERTICAL COMPARTMENT DIVIDER
 - COMPARTMENT L52 CONTAINS:
 - (1) STD DEPTH FLOOR MOUNTED TRAY WITH DIVIDER
 - COMPARTMENT L53 CONTAINS:
 - (1) SPECIAL DEPTH SLIDE OUT/TILT TRAY WITH SPECIAL SIDES
 - COMPARTMENT L54 CONTAINS:
 - (3) STD DEPTH ADJ SHELVES
 - (1) 15/20A, 120V DUPLEX RECEPTACLE
 - COMPARTMENT L55 CONTAINS:
 - (1) 3/4 DEPTH FLOOR MTD SLIDE OUT TRAY
 - (1) STD DEPTH FLOOR MTD SLIDE OUT TRAY
 - (1) HORIZONTAL FLOOR EXTENSION
 - (1) 30A, 240V T.L. RECEPTACLE
 - (1) CMW DUAL ELEC/HYDRAULIC REEL WITH 200' OF 10/3 YELLOW CORD AND CAPACITY FOR 100' OF HYDRAULIC HOSE
 - (1) CMW DUAL HYDRAULIC REEL WITH CAPACITY FOR 100' OF HOSE ON EACH SIDE
 - (1) SLIDE OUT ROLLER GUIDE BRACKET
 - COMPARTMENT L56 CONTAINS:
 - (1) RACK FOR 2 BACKBOARDS
 - (1) RACK FOR LITTLE GIANT LADDER
 - (1) NIGHT SCAN CONTROLLER

- REAR COMPARTMENT CONTAINS THE FOLLOWING:**
- COMPARTMENT B1 CONTAINS:
 - (1) SPECIAL DEPTH ADJ SHELF
 - COMPARTMENT B2 CONTAINS:
 - (2) FIRE RESEARCH SP656-K20-ON-603 LED TRIPOD LIGHTS
 - (1) ELECTRIC CORD REEL WITH 200' OF 10/3 YELLOW CORD
 - ADDITIONAL ROLLER GUIDE MOUNTED ON DOOR



CUSTOMER APPROVAL
 APPROVED BY: _____
 DATE: _____

Pierce MANUFACTURING INC.
 JOB NO. 37129
 SCALE 1:24 DATE
 DRAWN BY DHE 24FEB22
 CHECKED BY AZU 25FEB22
 SHEET SIZE SHEET NO. D 1 OF 1

NOTE
 DIMENSIONS SHOWN ARE APPROXIMATE AND ARE SUBJECT TO MINOR DEVIATIONS AS MAY OCCUR OR BE NECESSARY IN CONSTRUCTION. MINOR DETAILS NOT SHOWN.

- NOTES:**
1. ONAN 30kW SINGLE PHASE PTO DRIVEN GENERATOR WITH SPLASH GUARD LOCATED BETWEEN THE FRAME RAILS
 2. POLISHED S/S SCUFFPLATES ON CAB DOOR JAMBS
 3. FLOOR IN CAB TO BE ALUMINUM TREADPLATE
 4. FIREARM 5100D 7-POSITION INTERCOM SYSTEM
 5. KUSSMAUL PUMP PLUS CHARGER LOCATED BEHIND THE DRIVER'S SEAT
 6. S/S GUARDS OVER ALL BODY ROLL-UP DOORS
 7. PIERCE DUAL LED LIGHT STRIPS IN ALL EXTERIOR BODY COMPARTMENTS
 8. POLISHED S/S SCUFFPLATES INSIDE COMPARTMENT DOORS IN R51, R52, R56 AND L56
 9. ALUMINUM TREADPLATE ON THE BODY FENDER PANELS

SIDE ROLL AND FRONTAL IMPACT PROTECTION

CLEAR DOOR WIDTH KEY

AMOR ROLL UP DOORS:	-2 1/4"
CORTITE ROLL UP DOORS:	-2 1/2"
PIERCE DOUBLE LAP DOORS:	-4 1/4"
PIERCE LIFT-UP LAP DOORS:	-1 1/2"

(EX: 60" F-F - 2 1/4" = 57 3/4" CLEAR)
 (F-F) = FRAME TO FRAME

REV	DATE	BY	CH

TITLE	CHASSIS DATA	MAKE	MODEL
HEAVY DUTY RESCUE WALKIN		PIERCE	VX1500
FOR	FAYETTEVILLE FIRE DEPARTMENT	WADE FARRIOR	
	BID #1146		