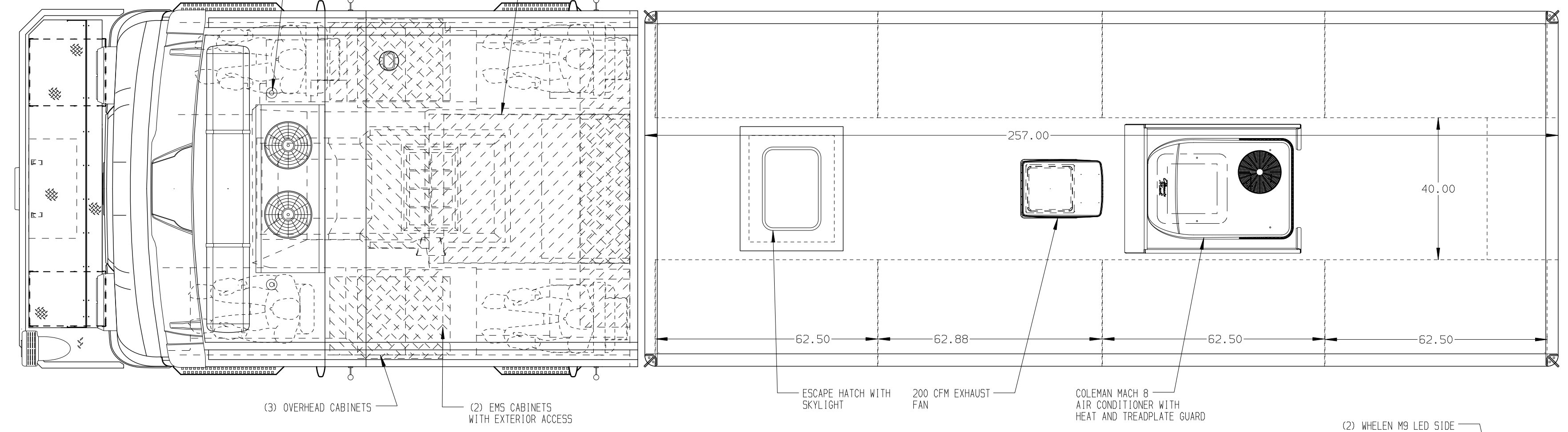
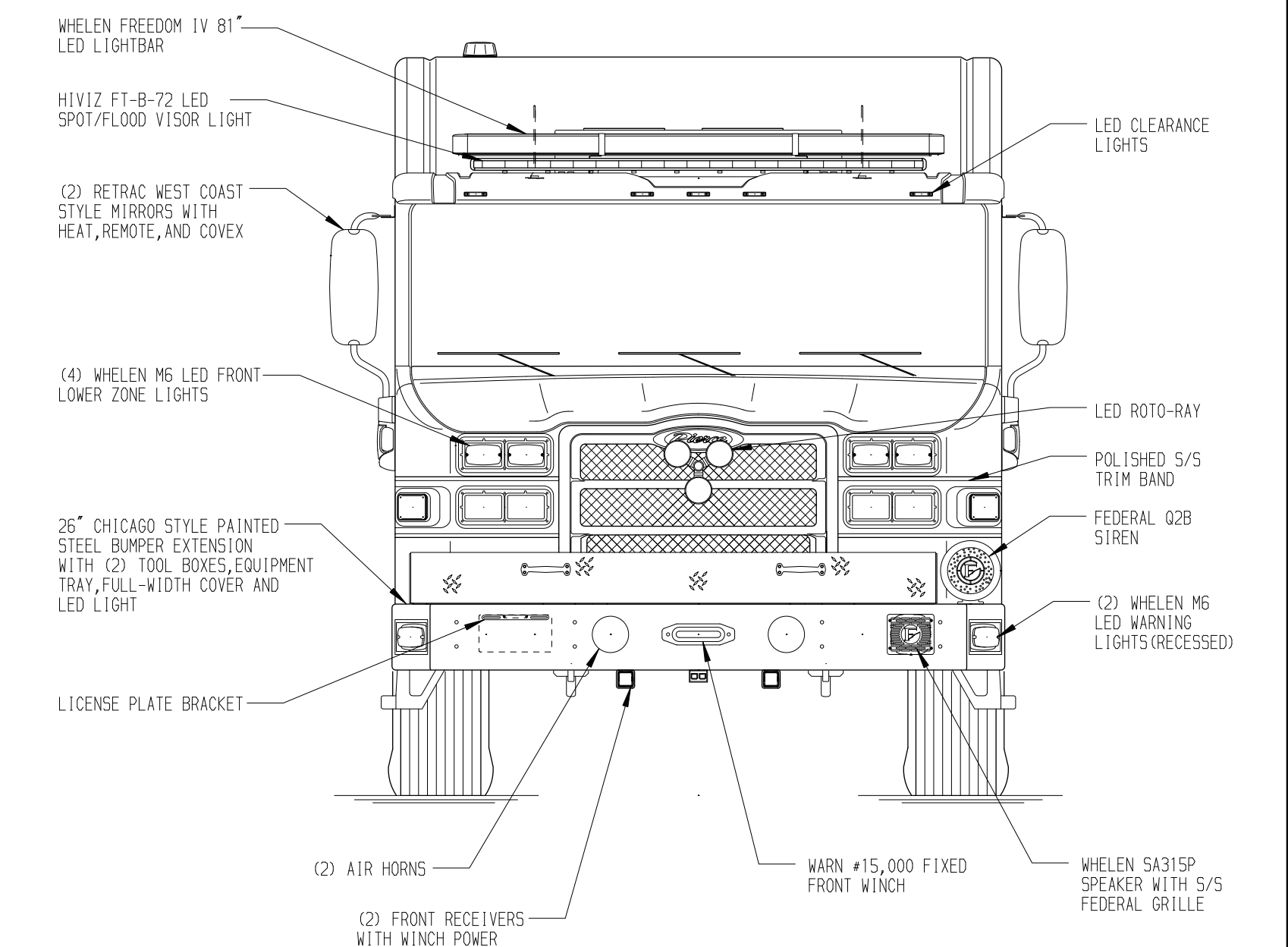
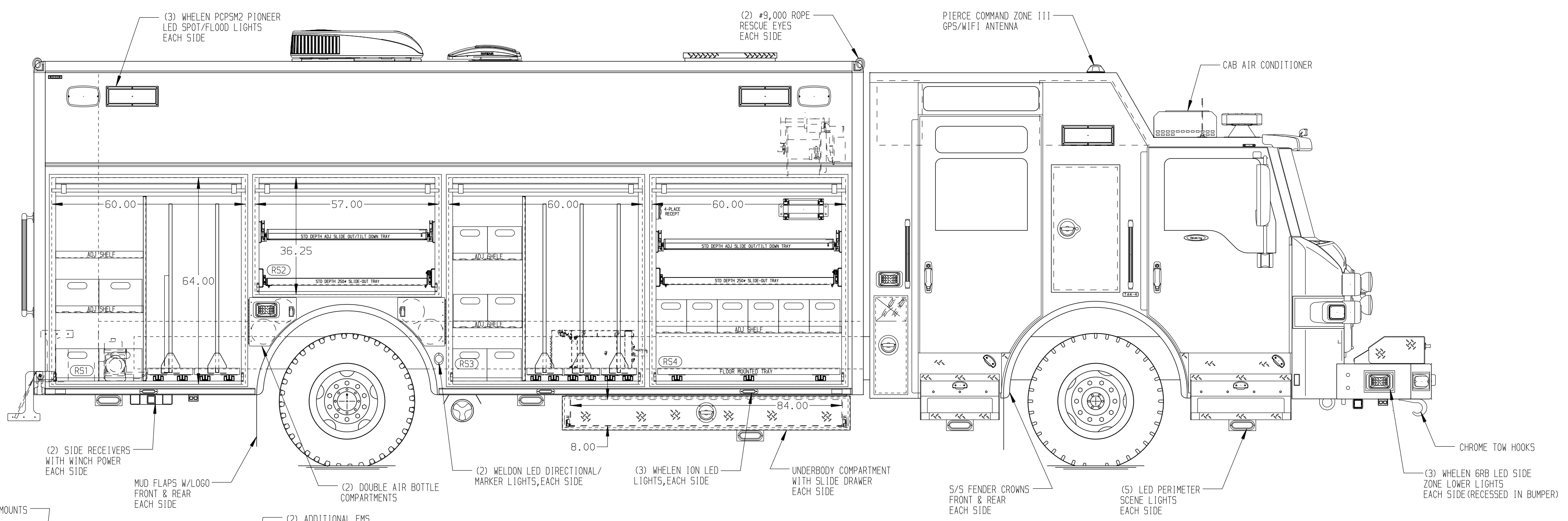
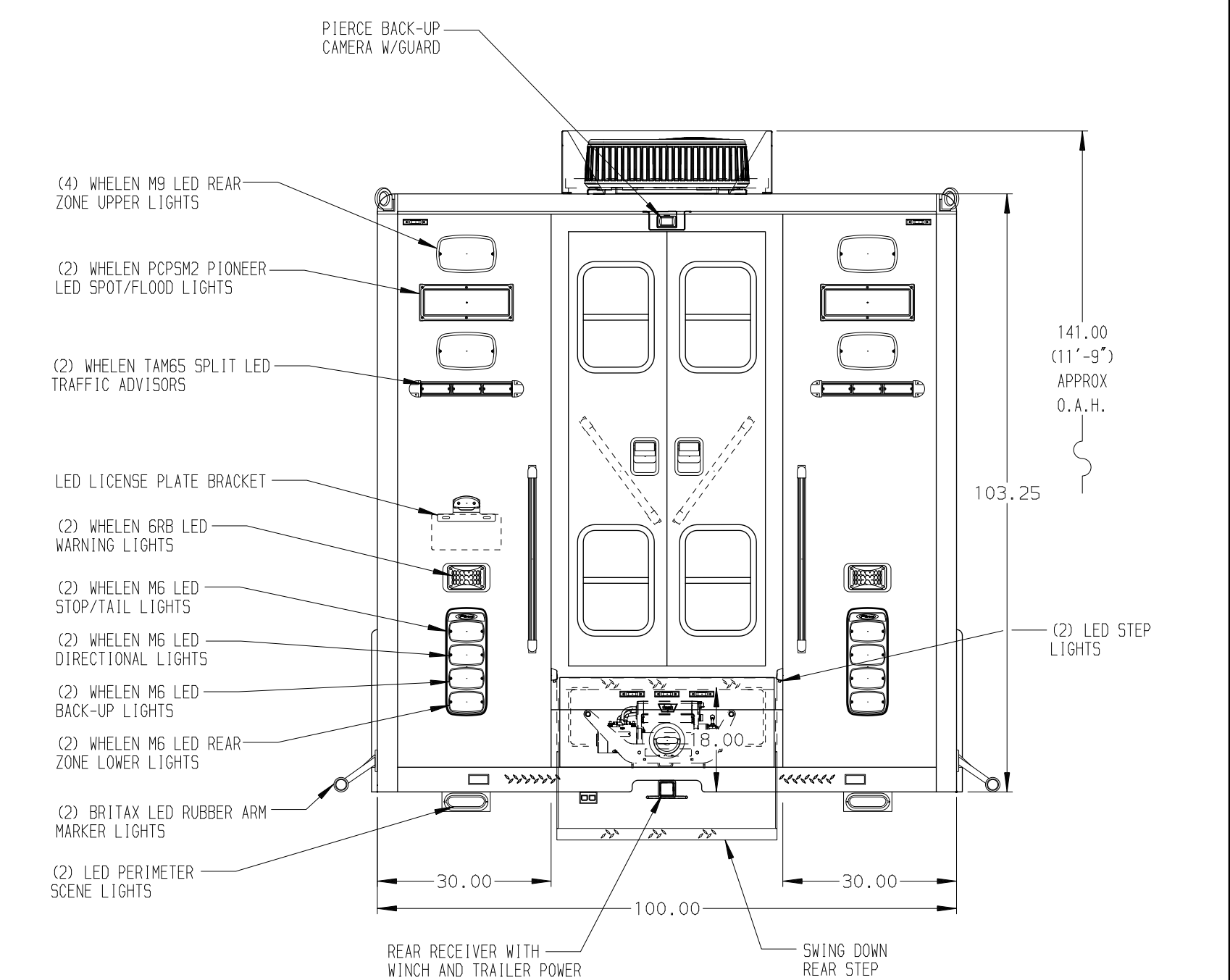
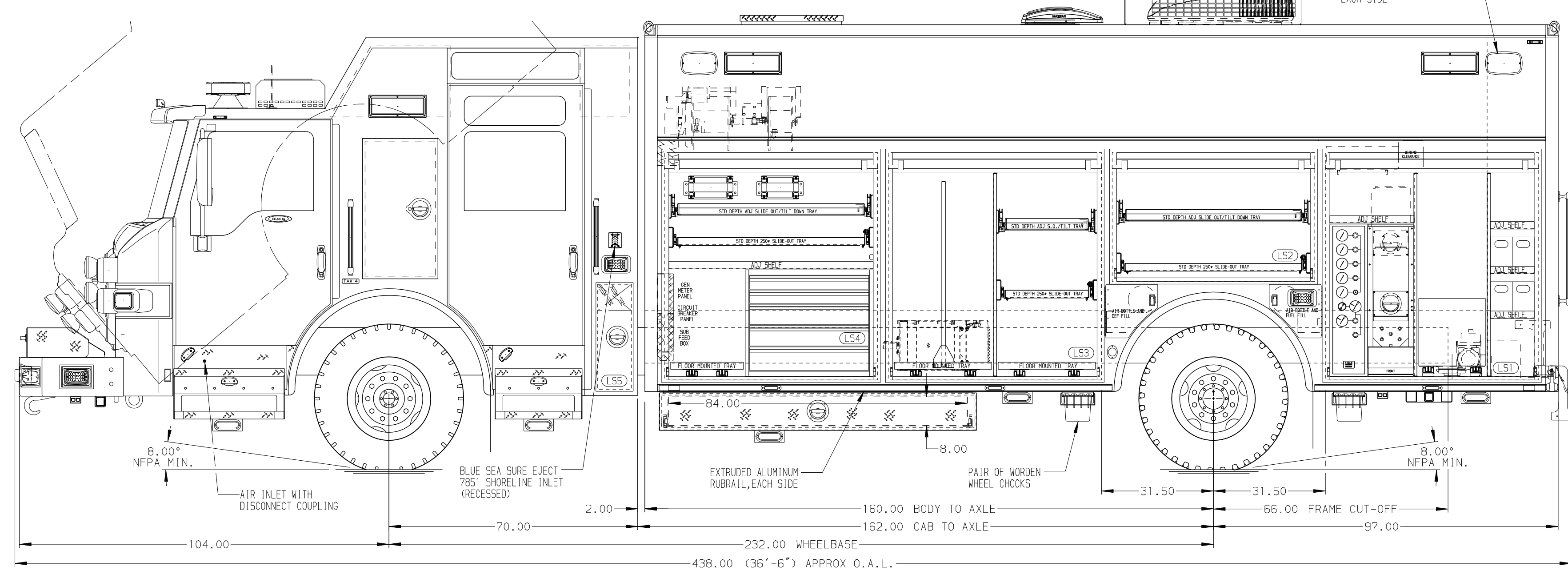


- RIGHT SIDE COMPARTMENTS CONTAIN THE FOLLOWING:**
- COMPARTMENT R51 CONTAINS:
 - (1) VERTICAL COMPARTMENT DIVIDER
 - (2) FLOOR MOUNTED TRAYS W/TOOLBOARDS
 - (2) STD DEPTH ADJ SHELVES
 - (4) POLY TOOL BOXES
 - (1) RACK FOR 9 PICKETTS
 - COMPARTMENT R52 CONTAINS:
 - (1) STD DEPTH ADJ SLIDE OUT TRAY
 - (1) STD DEPTH ADJ SLIDE OUT/TILT TRAY
 - COMPARTMENT R53 CONTAINS:
 - (1) VERTICAL COMPARTMENT DIVIDER
 - (3) FLOOR MOUNTED TRAYS W/TOOLBOARDS
 - (2) STD DEPTH ADJ SHELVES
 - (6) POLY TOOL BOXES
 - COMPARTMENT R54 CONTAINS:
 - (1) 750 FLOOR MOUNTED TRAY
 - (1) STD DEPTH ADJ SHELF
 - (1) STD DEPTH ADJ SLIDE OUT TRAY
 - (1) STD DEPTH ADJ SLIDE OUT/TILT TRAY
 - (1) ELECTRIC CORD REEL WITH 200' OF 10/3 YELLOW CORD
 - (1) 15/20A, 120V 4-PLACE RECEPTACLE
 - (6) POLY TOOL BOXES
 - COMPARTMENT R55 CONTAINS:
 - (1) RACK FOR PIKE POLE



- LEFT SIDE COMPARTMENTS CONTAIN THE FOLLOWING:**
- COMPARTMENT L51 CONTAINS:
 - (1) POWER DISTRIBUTION BOX
 - (2) VERTICAL COMPARTMENT DIVIDERS
 - (4) STD DEPTH ADJ SHELVES
 - (1) OIL DRY HOPPER ON SLIDE OUT TRAY
 - (1) CASCADE SYSTEM CONTROL PANEL
 - (1) "SPACE SAVER" 2-BOTTLE FILL ENCLOSURE
 - (4) POLY TOOL BOXES
 - COMPARTMENT L52 CONTAINS:
 - (1) STD DEPTH ADJ SLIDE OUT TRAY
 - (1) STD DEPTH ADJ SLIDE OUT/TILT TRAY
 - COMPARTMENT L53 CONTAINS:
 - (1) VERTICAL COMPARTMENT DIVIDER
 - (1) FLOOR MOUNTED TRAY
 - (1) FLOOR MOUNTED TRAY/TOOLBOARD
 - (1) STD DEPTH ADJ SLIDE OUT TRAY
 - (1) STD DEPTH ADJ SLIDE OUT/TILT TRAY
 - COMPARTMENT L54 CONTAINS:
 - (1) 10TA DSL 45 AMP BATTERY CHARGER
 - (1) S-DRAWER C-TECH CABINET
 - (1) FLOOR MOUNTED TRAY
 - (1) STD DEPTH ADJ SHELF
 - (1) STD DEPTH ADJ SLIDE OUT/TILT TRAY
 - (1) CIRCUIT BREAKER PANEL
 - (1) GENERATOR METER PANEL
 - (1) SUB FEED BOX
 - (1) ELECTRIC CORD REEL WITH 200' OF 10/3 YELLOW CORD
 - (1) 15A, 120V 6-PLACE RECEPTACLE
 - (1) HIGH PRESSURE AIR REEL W/200' OF HOSE
 - (1) STD DEPTH STATIONARY SHELF
 - COMPARTMENT L55 CONTAINS:
 - (1) RACK FOR PIKE POLE



NOTE
DIMENSIONS SHOWN ARE APPROXIMATE AND ARE SUBJECT TO MINOR DEVIATIONS AS MAY OCCUR OR BE NECESSARY IN CONSTRUCTION. MINOR DETAILS NOT SHOWN.

- NOTES:**
- POLISHED S/S SCUFFPLATES ON CAB AND CREW CAB DOOR JAMBS
 - FLOOR IN CAB AND CREW CAB TO BE PADDED RUBBER
 - (4) STREAMLIGHT FIRE VULCAN HANDLIGHTS IN CREW CAB
 - DAVID CLARK 4-POSITION INTERCOM SYSTEM
 - BATTERY CHARGE INDICATOR LOCATED ON DRIVER'S SEAT WITH BRACKET
 - S/S GUARDS ON ALL BODY ROLL-UP DOORS
 - PULL STRAPS ON ALL BODY ROLL-UP DOORS
 - AMOR LED LIGHTS IN ALL BODY COMPARTMENTS
 - ONAN 25kW SINGLE PHASE PTO DRIVEN GENERATOR LOCATED BETWEEN THE FRAME RAILS
 - 15/20A, 120V RECEPTACLE IN EACH REAR FACING EMS CABINET

(SIDE ROLL AND FRONTAL IMPACT PROTECTION)

CLEAR DOOR WIDTH KEY

AMOR ROLL UP DOORS:	-2 1/4"
CURTAIN ROLL UP DOORS:	-2 1/2"
PIERCE DOUBLE LAP DOORS:	-4 1/4"
PIERCE LIFT-UP LAP DOORS:	-1 1/2"

(EX: 60" F - 2 1/4" = 57 3/4" CLEAR)
(F-F) = FRAME TO FRAME

CUSTOMER APPROVAL

APPROVED BY: _____
DATE: _____

REV	DATE	BY	CH

Pierce MANUFACTURING INC.

TITLE: HEAVY DUTY RESCUE WALKIN
FOR: JAMES CITY COUNTY BID #450
DWG NO.: 37131AD-SH1

JOB NO.: 37131
SCALE: 1:24
DATE: _____
DRAWN BY: DHE
CHECKED BY: CDK
SHEET SIZE: D
SHEET NO.: 1 OF 1

WILL BASCOM