

RIGHT SIDE COMPARTMENTS CONTAIN THE FOLLOWING:

COMPARTMENT R51 CONTAINS:

- (1) CASCADE SYSTEM CONTROL PANEL
- (1) "SPACE SAVER" 4-BOTTLE FILL ENCLOSURE
- (1) COMPRESSOR CONTROLLER

COMPARTMENT R52 CONTAINS:

- (1) BAUER K18, 1-20-E3 BREATHING AIR COMPRESSOR

COMPARTMENT R54 CONTAINS:

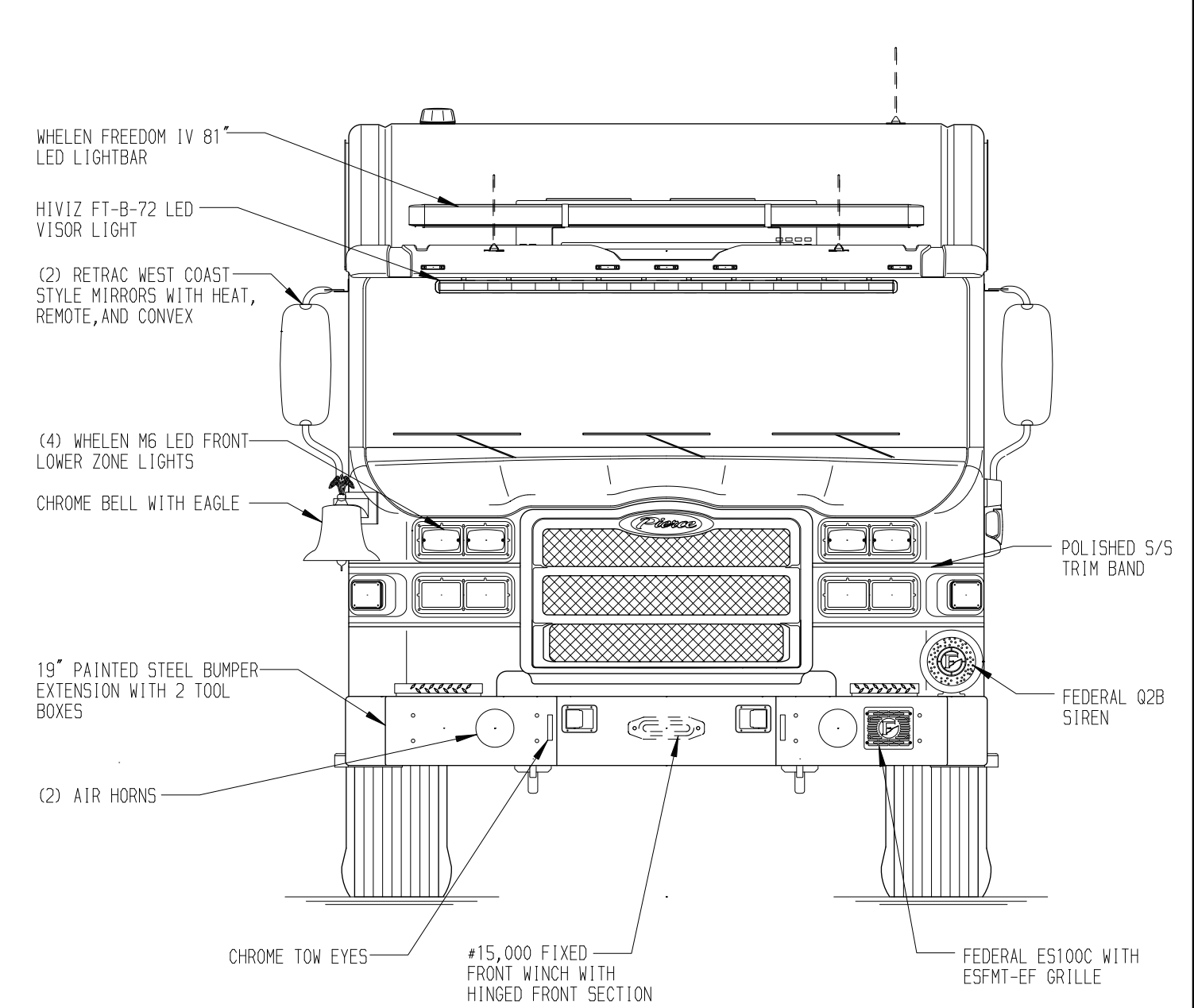
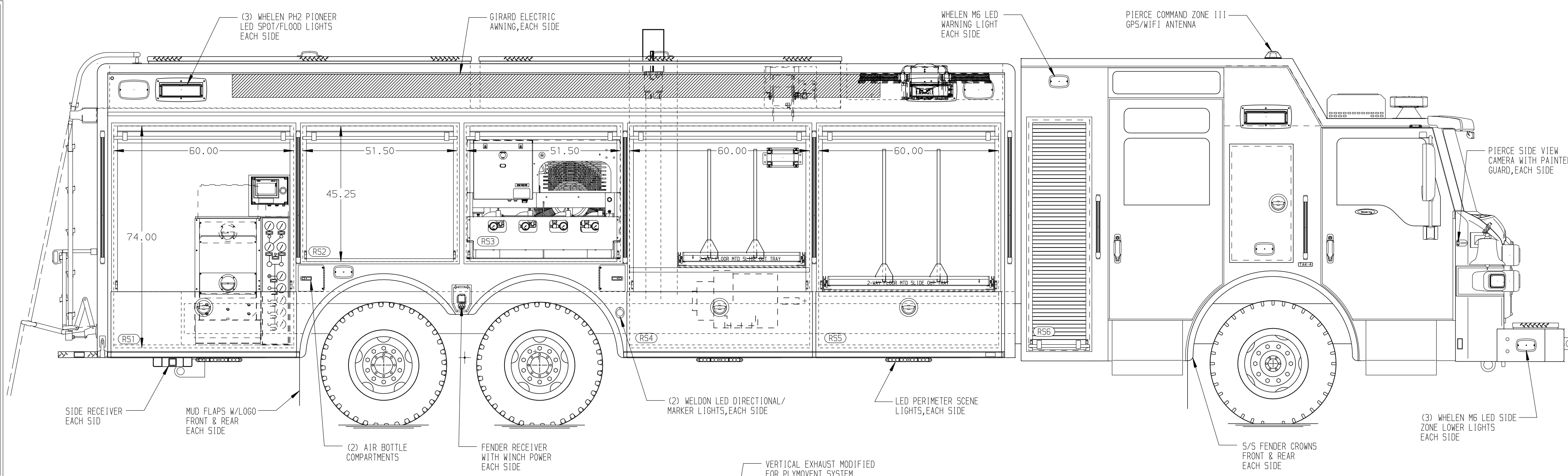
- (1) HORIZONTAL FLOOR EXTENSION
- (1) 2-WAY FLOOR MTD SLIDE OUT TRAY WITH 2 TOOLBOARDS
- (1) HIGH PRESSURE AIR REEL W/150' OF HOSE

COMPARTMENT R55 CONTAINS:

- (1) HORIZONTAL FLOOR EXTENSION
- (1) 2-WAY FLOOR MTD SLIDE OUT TRAY WITH 2 TOOLBOARDS

COMPARTMENT R56 CONTAINS:

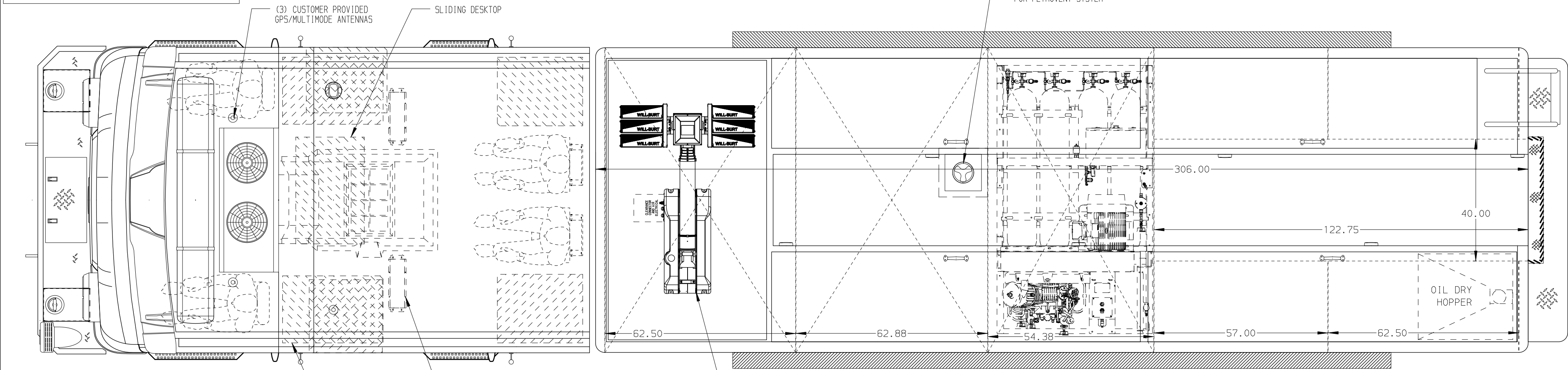
- (2) ADJUSTABLE SHELVES



REAR COMPARTMENT CONTAINS THE FOLLOWING:

COMPARTMENT B1 CONTAINS:

- (1) FLOOR MOUNTED TRAY WITH TOOLBOARD



LEFT SIDE COMPARTMENTS CONTAIN THE FOLLOWING:

COMPARTMENT L51 CONTAINS:

- (1) HORIZONTAL FLOOR EXTENSION
- (3) STD DEPTH ADJ SLIDE OUT TOOLBOARDS
- (1) CIRCUIT BREAKER PANEL
- (1) GENERATOR METER PANEL
- (1) SUB FEED BOX
- (1) NIGHT SCAN CONTROLLER
- (1) OIL DRY HOPPER

COMPARTMENT L52 CONTAINS:

- (1) BAUER K18, 1-20-E3 BREATHING AIR COMPRESSOR

COMPARTMENT L54 CONTAINS:

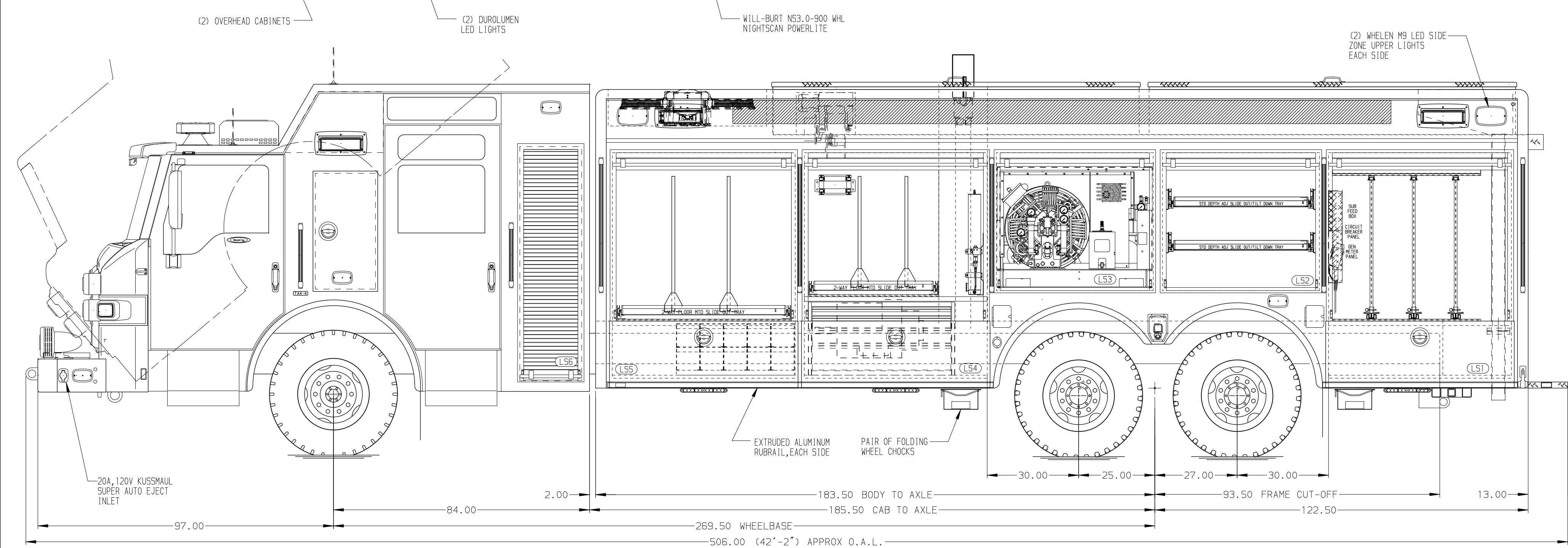
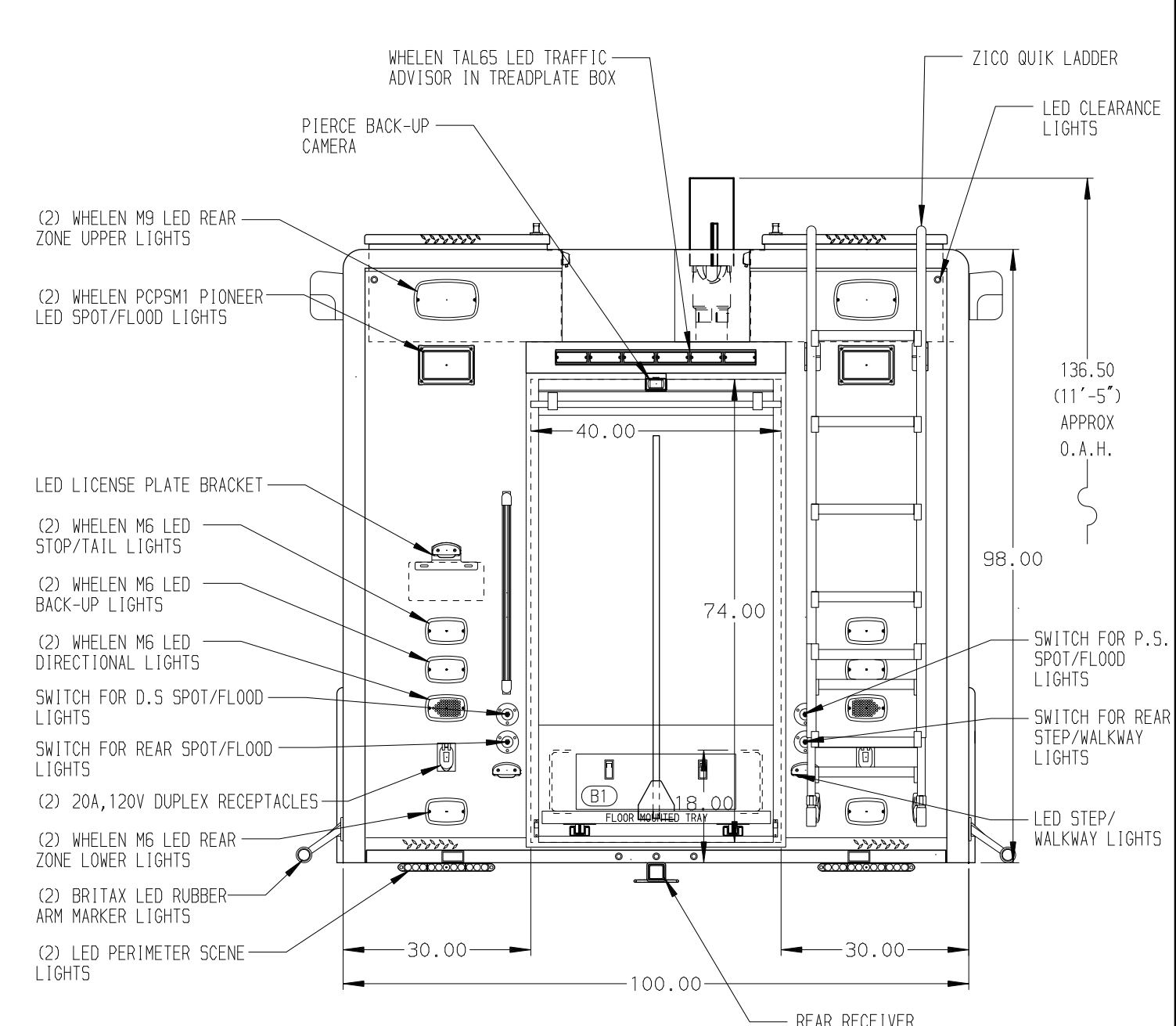
- (1) HORIZONTAL FLOOR EXTENSION
- (1) 2-WAY FLOOR MTD SLIDE OUT TRAY WITH 2 TOOLBOARDS
- (1) BREATHING AIR PURIFIERS
- (1) ELECTRIC CORD REEL
- (1) 4-DRAWER C-TECH CABINET

COMPARTMENT L55 CONTAINS:

- (1) HORIZONTAL FLOOR EXTENSION
- (1) RACK FOR 10 SCBA BOTTLES
- (1) 2-WAY FLOOR MTD SLIDE OUT TRAY WITH 2 TOOLBOARDS

COMPARTMENT L56 CONTAINS:

- (2) ADJUSTABLE SHELVES



CUSTOMER APPROVAL

APPROVED BY: _____

DATE: _____

Pierce MANUFACTURING INC.

JOB NO. 37143

SCALE 1:24 DATE

DRAWN BY DHE 04MAR22

CHECKED BY AZU 08MAR22

SHEET SIZE D SHEET NO. 1 OF 1

NOTE

DIMENSIONS SHOWN ARE APPROXIMATE AND ARE SUBJECT TO MINOR DEVIATIONS AS MAY OCCUR OR BE NECESSARY IN CONSTRUCTION. MINOR DETAILS NOT SHOWN.

- NOTES:**
1. WARN #10,000 PORTABLE RECEIVER STYLE WINCH
 2. FLOOR IN CAB AND CREW CAB TO BE PADDED RUBBER
 3. S/S L-SHAPED GUARDS ON ALL BODY ROLL-UP DOORS
 4. PIERCE LED STRIP LIGHTS IN ALL BODY AND HATCH COMPARTMENTS
 5. TURTLE TILE ON FLOORS IN COMPARTMENTS L51, L52, L53, R52, R53, R54, R55 AND HATCH COMPARTMENTS
 6. TURTLE TILE IN EACH SHELF AND TRAY
 7. LIMA 40kW THREE PHASE PTO DRIVEN GENERATOR LOCATED BETWEEN THE FRAME RAILS

CLEAR DOOR WIDTH KEY

AMDR ROLL UP DOORS:	-2 1/4"
CURTITE ROLL UP DOORS:	-2 1/2"
PIERCE DOUBLE LAP DOORS:	-4 1/4"
PIERCE LIFT-UP LAP DOORS:	-1 1/2"

(EX: 60" F-F - 2 1/4" = 57 3/4" CLEAR)
(F-F) = FRAME TO FRAME

MAXIMUM O.A.W. 10'-5"
MAXIMUM O.A.H. 11'-7"

CHASSIS DATA	TITLE	HEAVY DUTY RESCUE NON-WALK-IN
MAKE	FOR	SUNNYVALE DEPARTMENT OF PUBLIC SAFETY BID #678
MODEL	DWG NO.	37143AD
REV	DATE	BY
		CH
		VXFR8420