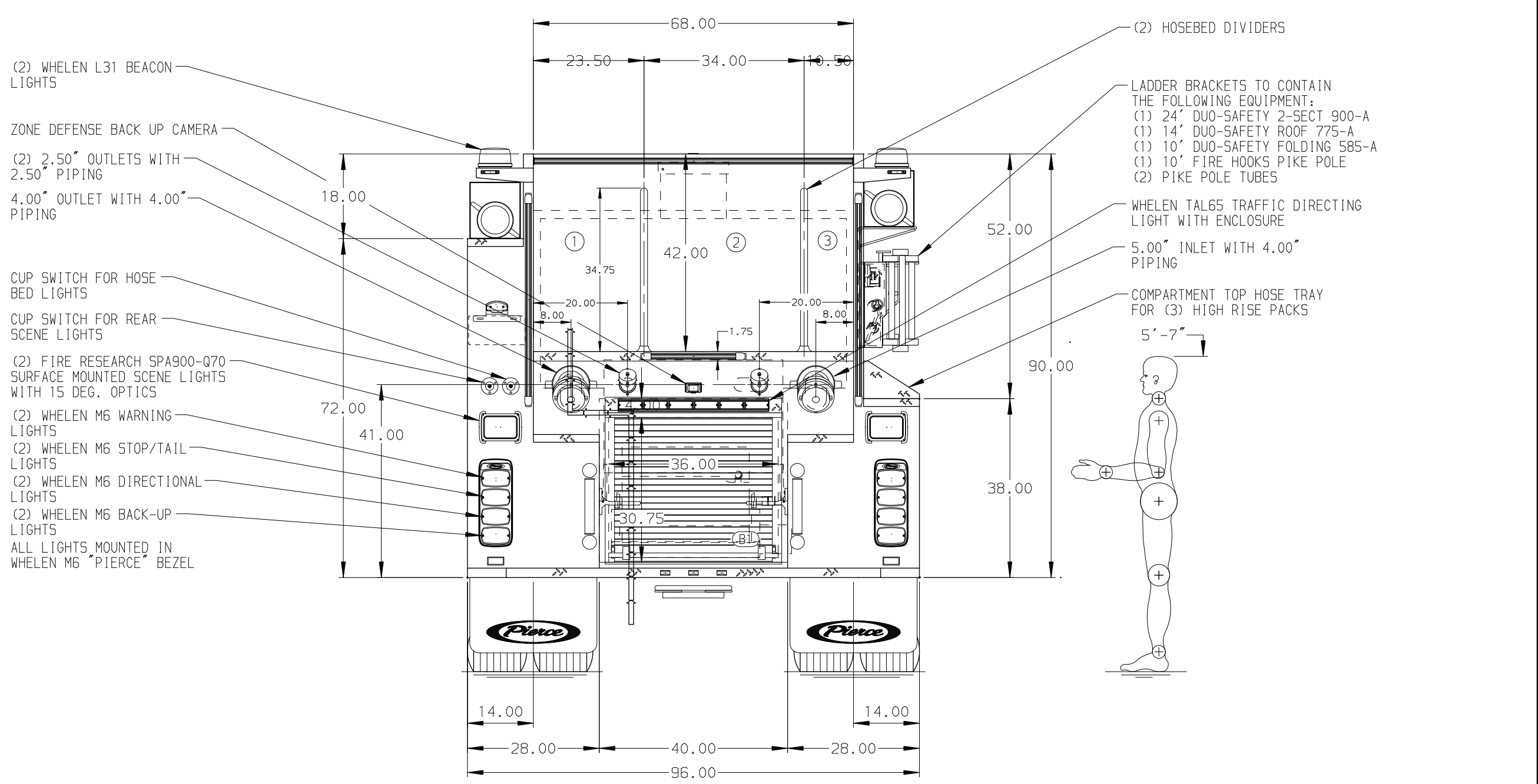
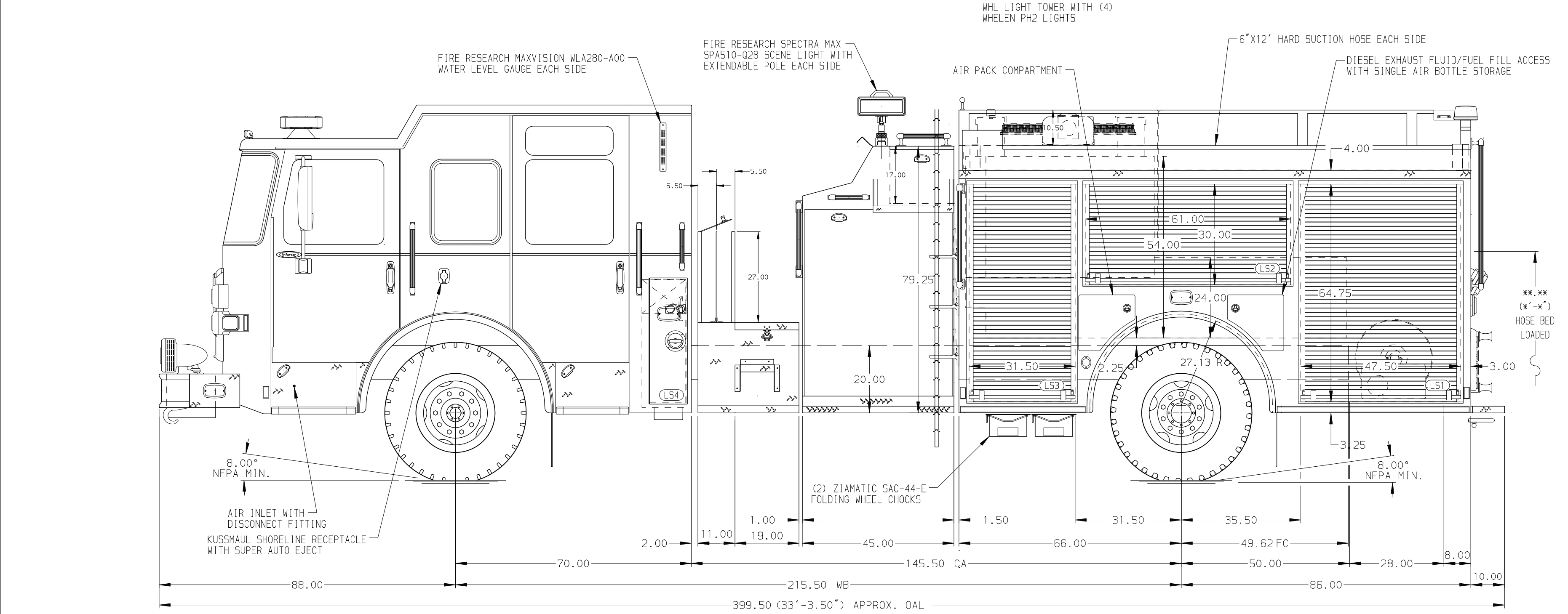


- HOSEBED CAPACITIES
- ① 1000' OF 3.00" D.J. POLY HOSE
 - ② 1200' OF 5.00" D.J. POLY HOSE
 - ③ 500' OF 2.50" D.J. POLY HOSE



ALUMINUM BODY

NOTE
DIMENSIONS SHOWN ARE APPROXIMATE AND ARE SUBJECT TO MINOR DEVIATIONS AS MAY OCCUR OR BE NECESSARY IN CONSTRUCTION.
MINOR DETAILS NOT SHOWN.

- 1. MODEL 13 LITTLE GIANT LADDER IN COMPARTMENT-RS1
- 2. HANNAY EF34-23-24 ELECTRIC REWIND BOOSTER REEL WITH A CAPACITY FOR 200' OF 1.00" HOSE IN COMPARTMENT-B1
- 3. MICROPHONE AND SPEAKER COMPARTMENT LOCATED AT THE PUMP OPERATORS PANEL
- 4. BATTERY CHARGER LOCATED PER ORDER
- 5. BATTERY CHARGER INDICATOR LOCATED PER ORDER
- 6. THREE FULL WIDTH/DEPTH ADJUSTABLE SHELVES WITH SIDES LOCATED PER ORDER
- 7. ONE ADJUSTABLE SLIDE-OUT TRAY WITH SIDES LOCATED PER ORDER
- 8. THREE FLOOR MOUNTED SLIDE-OUT TRAYS WITH SIDES LOCATED PER ORDER
- 9. ONE FLOOR MOUNTED SLIDE-OUT TRAY WITH SPECIAL SIDES LOCATED PER ORDER
- 10. ONE SWING-OUT TOOLBOARD WITH PEGBOARD PATTERN LOCATED PER ORDER
- 11. TWO PARTITIONS LOCATED PER ORDER
- 12. PAC TRAC EQUIPMENT MOUNTING SYSTEM ON THE REAR WALL LOCATED PER ORDER
- 13. TWO 120V 7-PLACE RECEPTACLE STRIPS LOCATED IN BODY COMPARTMENT PER ORDER

CUSTOMER APPROVAL			
APPROVED BY:			
DATE:			
CHASSIS DATA	TITLE	2000-D-770P, 750 GAL WATER W/20 GAL FOAM CELL	
MAKE	FOR	152" PUMPER BODY, LS FH FDLR, RS LOW, 45" TOP MOUNT	
PIERCE	FOR	BOROUGH OF LINCOLN PARK LINCOLN PARK, NJ	
MODEL	DWG NO.	37171AD	
ENFORCER	REV	DATE	BY CH



JOB NO.	37171
SCALE	1:24
DATE	
DRAWN BY	BST
CHECKED BY	PHA
SHEET SIZE	D
SHEET NO.	1 OF 1