

**PUMPER BODY**  
Long Aluminum 2nd Gen Pumper

**CHASSIS**  
Enforcer Chassis

**CHASSIS AXLE, FRONT, CUSTOM**  
19,500 Lb TAK-4 Axle

**AXLE, REAR**  
27,000 Lb Dana Axle

**ENGINE**  
450 HP Cummins L9 Engine

**TRANSMISSION**  
Allison 5th Gen, 3000 EVS P

**BUMPER**  
22" Extended Stainless Steel

**CAB**  
7010 Enforcer Cab

**BODY WATER TANK**  
750 Gallon New York Style Water Tank

**COMPT, PUMPER, REAR**  
30.75" FF RollUp Rear Compt

**COMPT, PUMPER, LEFT SIDE**  
152" Lap Full Height & Depth Front & Rear

**COMPT, PUMPER, RIGHT SIDE**  
152" Lap Full Height Front & Rear FDLER

**FIRE SUPPRESSION PUMPHOUSE**  
52" Control Zone Side Mount

**PUMP**  
2000 GPM Hale QMAX-200

**CROSSLAYS, 1.50"**  
(2) 1.50" Standard Capacity

**CROSSLAYS, 2.50"**  
(1) 2.50" Standard Capacity

**SPEEDLAYS**  
SpeedLays Not Required

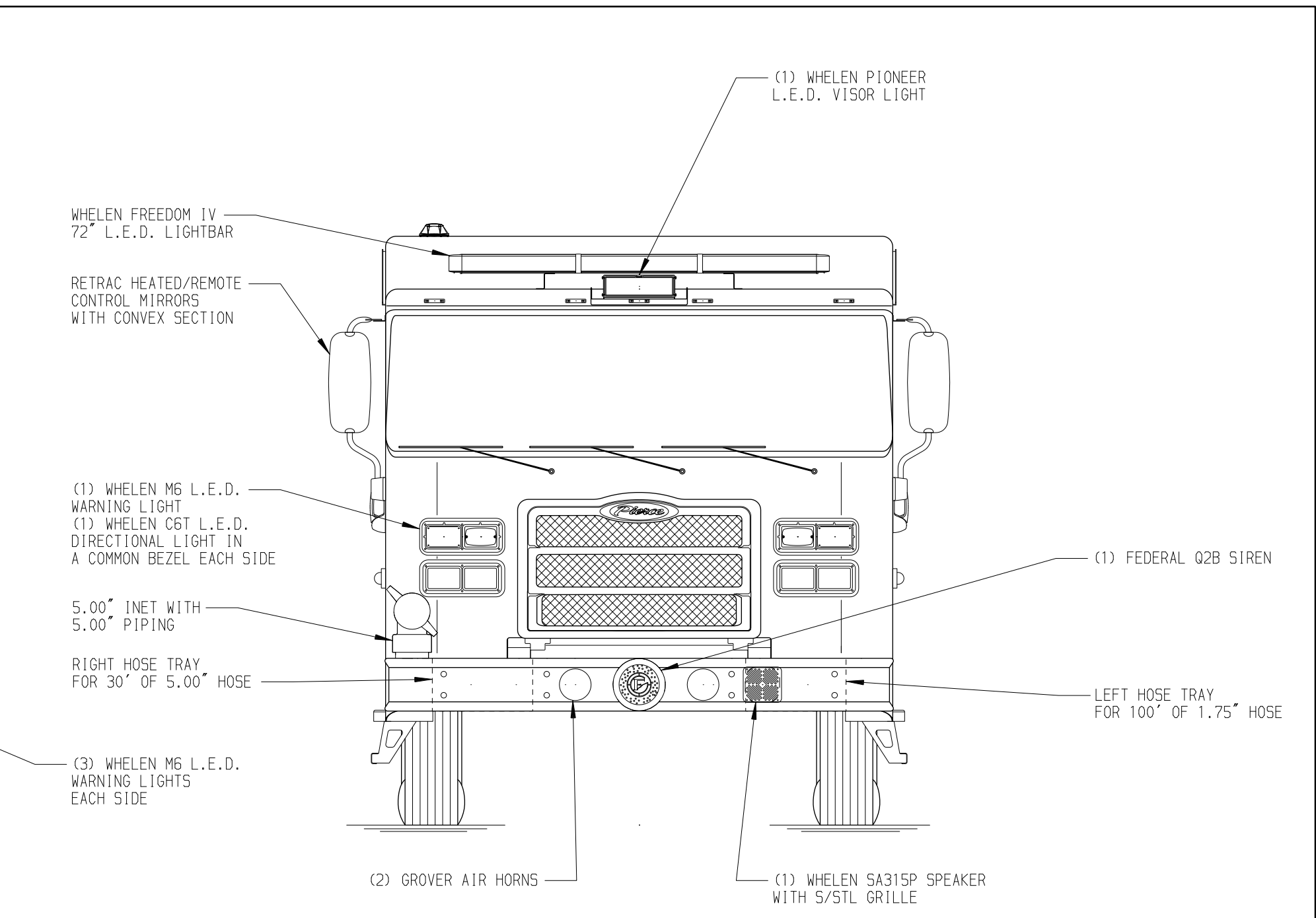
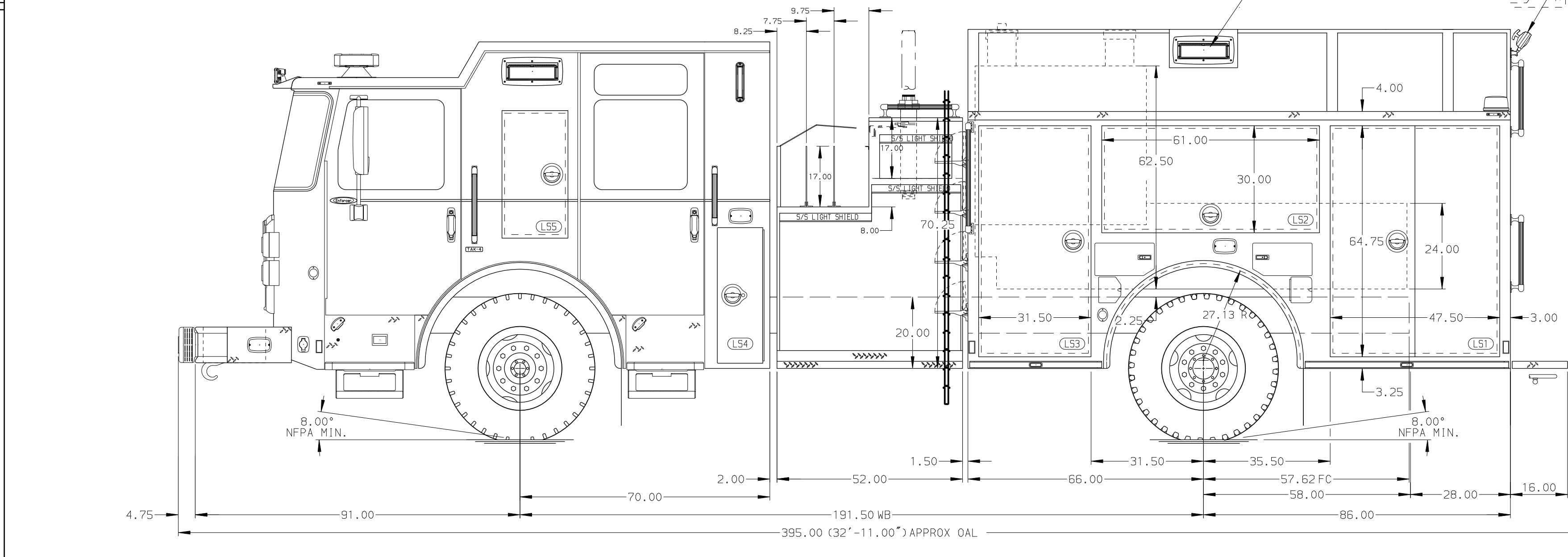
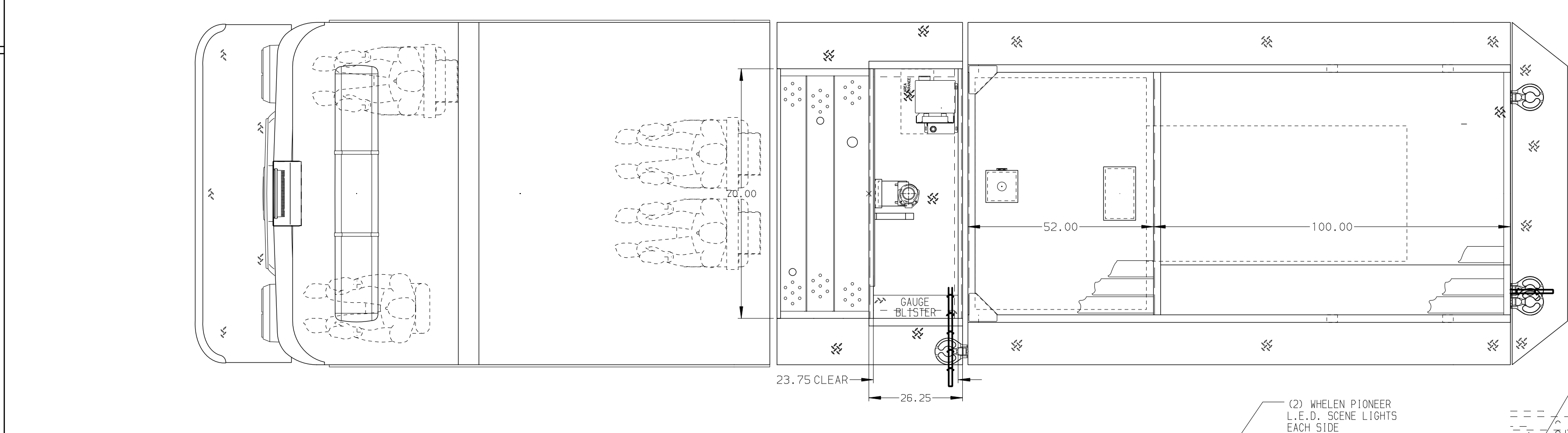
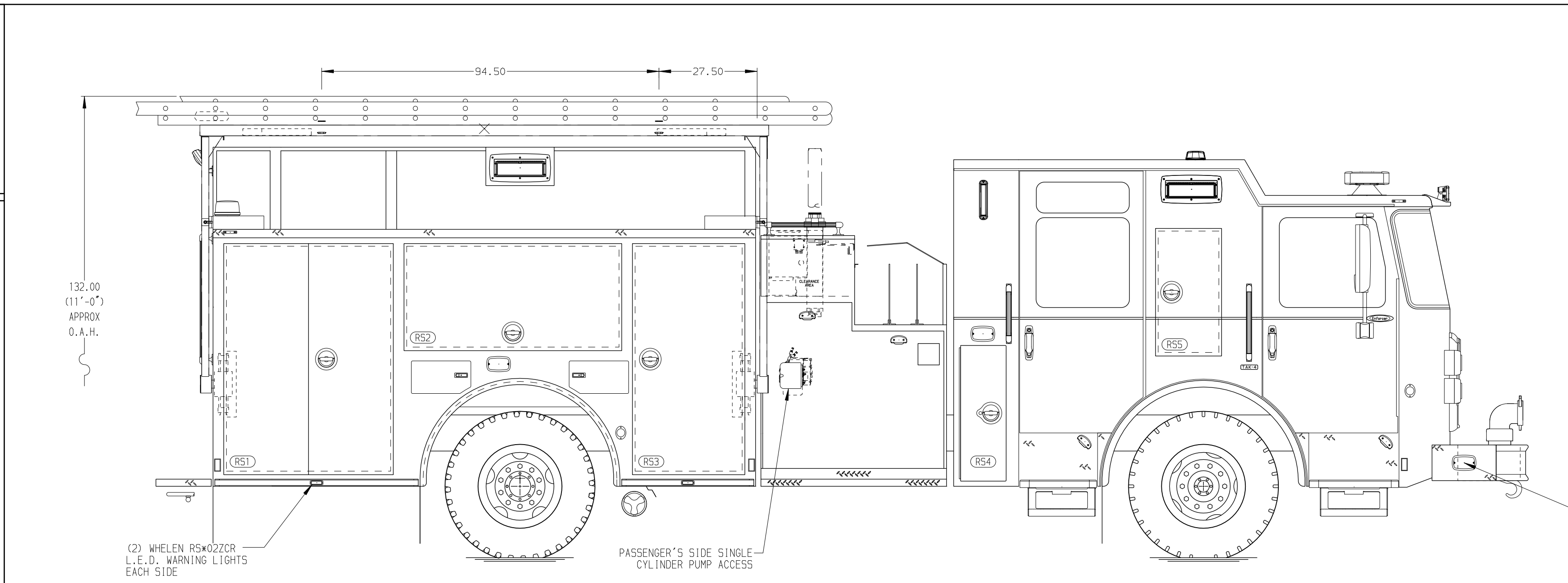
**GENERATOR**  
Generator Not Required

**Foam System**  
Husky 3 Single Agent Foam System

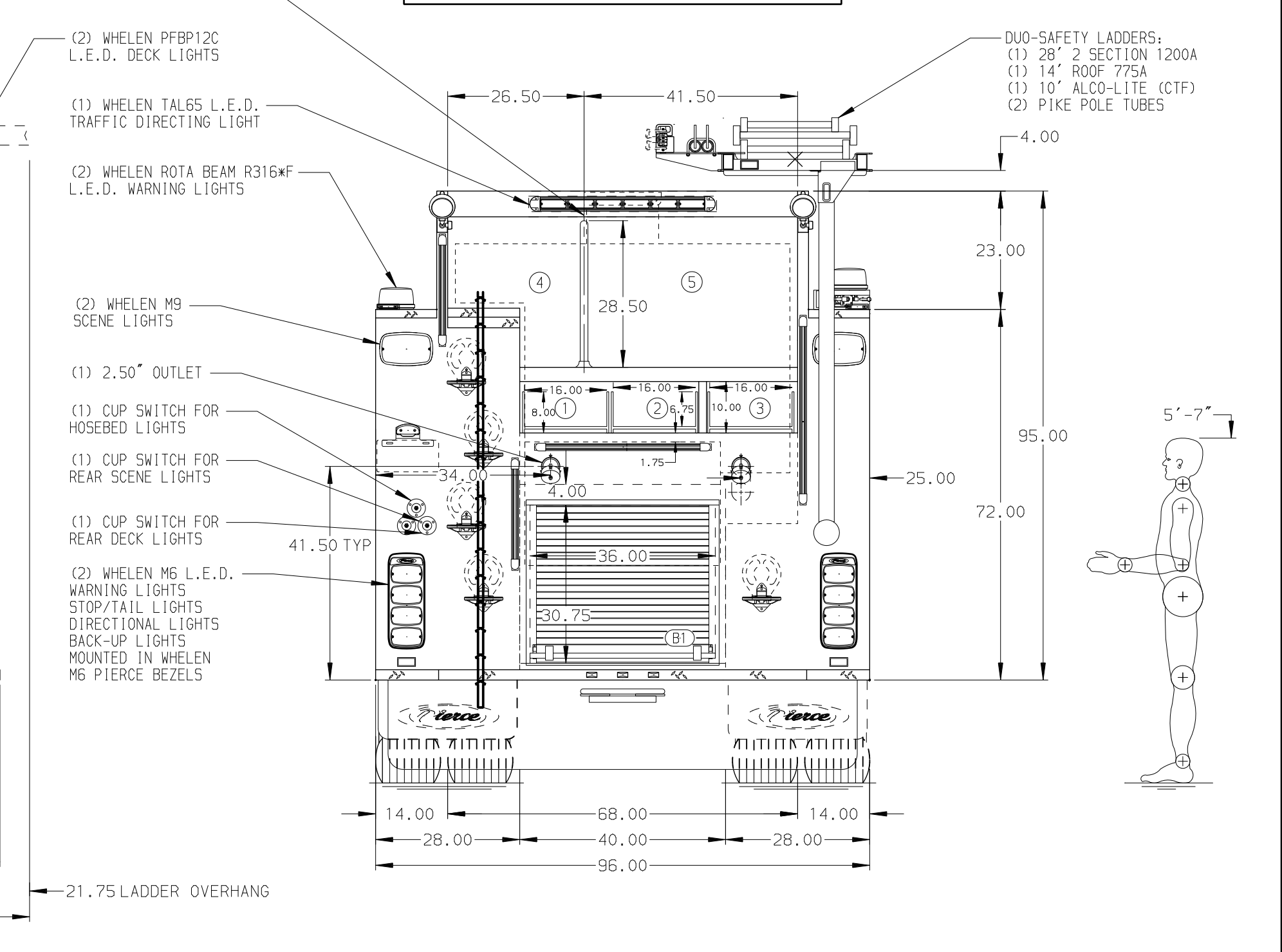
**Foam Cell**  
30 Gallon Foam Cell, Not Reduced Water

Side Roll and Frontal Impact Protection

**NOTE**  
DIMENSIONS SHOWN ARE APPROXIMATE AND ARE SUBJECT TO MINOR DEVIATIONS AS MAY OCCUR OR BE NECESSARY IN CONSTRUCTION. MINOR DETAILS NOT SHOWN.



HOSEBED CAPACITY	
BED 1	250' OF 2.50" D.J. POLY HOSE
BED 2	TBD
BED 3	250' OF 1.75" D.J. POLY HOSE
BED 4	525' OF 3.00" D.J. POLY HOSE
BED 5	1000' OF 5.00" D.J. POLY HOSE



CUSTOMER APPROVAL			
APPROVED BY:			
DATE:			
CHASSIS DATA	TITLE	Pierce Pumper Approval Drawing	
MAKE	FOR	Village of Wheeling	
PIERCE	DWG NO.	37176AD	
MODEL	ENFORCER		
REV	DATE	BY	CH

Pierce MANUFACTURING INC.		JOB NO.	37176
SCALE	1:24	DATE	
DRAWN BY	MMF	DATE	070CT21
CHECKED BY	COL	DATE	140CT21
SHEET SIZE	D	SHEET NO.	1 OF 1