

**PUMPER  
BODY**

Long Aluminum 2nd Gen Pumper

**CHASSIS**

Sober FR Chassis

**CHASSIS  
AXLE, FRONT, CUSTOM**

18,000 Lb Dana Axle

**AXLE, REAR**

27,000 Lb Dana Axle

**ENGINE**

450 HP Cummins L9 Engine

**TRANSMISSION**

Allison 5th Gen, 3000 EVS P

**BUMPER**

22" Extended Stainless Steel

**CAB**

6000 Sober FR Cab

**BODY**

**WATER TANK**

1000 Gallon New York Style Water Tank

**COMPT, PUMPER, REAR**

30.75" FF Rollup Rear Compt

**COMPT, PUMPER, LEFT SIDE**

171" Lap Full Height Front & Rear FOLER

**COMPT, PUMPER, RIGHT SIDE**

171" Lap Low, FOLER

**FIRE SUPPRESSION  
PUMPHOUSE**

45" Control Zone Side Mount

**PUMP**

2000 GPM Waterous CSU

**CROSSLAYS, 1.50"**

(2) 1.50" Standard Capacity

**CROSSLAYS, 2.50"**

2.50" Crosslay Not Required

**SPEEDLAYS**

Speedlays Not Required

**GENERATOR**

Generator Not Required

**Foam System**

Foam System Not Required

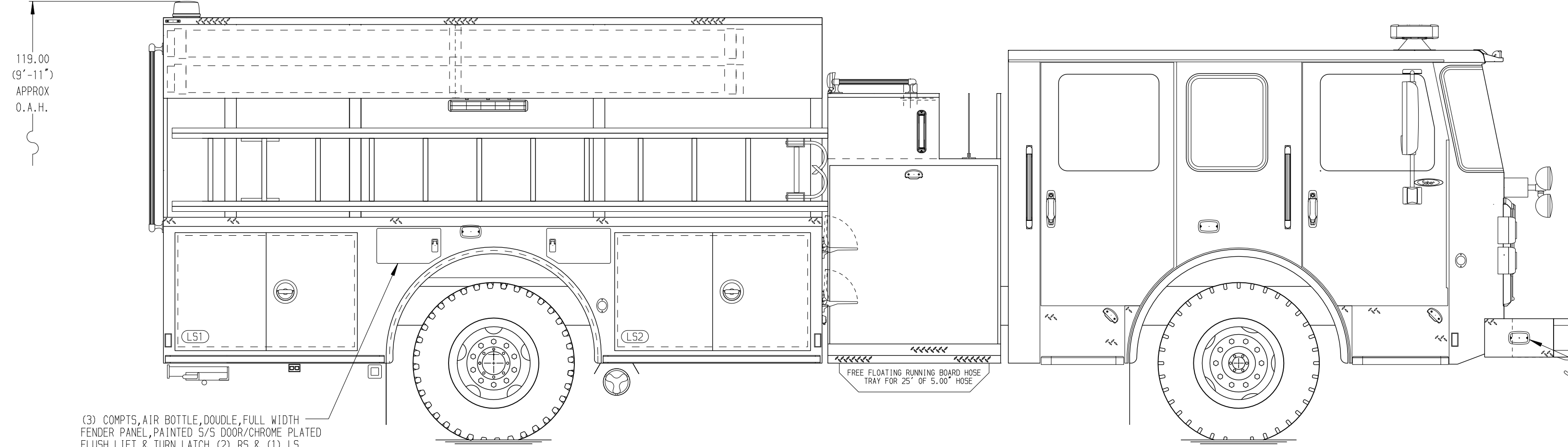
**Foam Cell**

Foam Cell Not Required

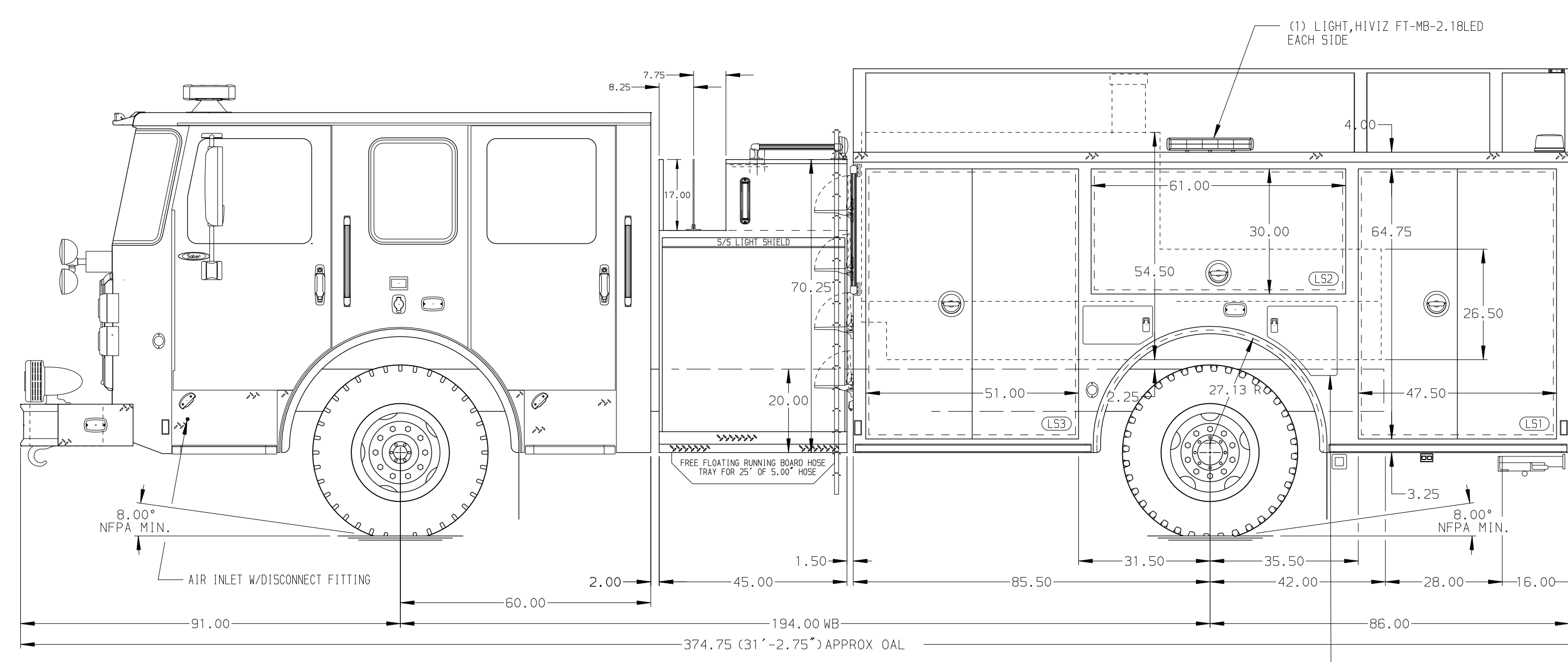
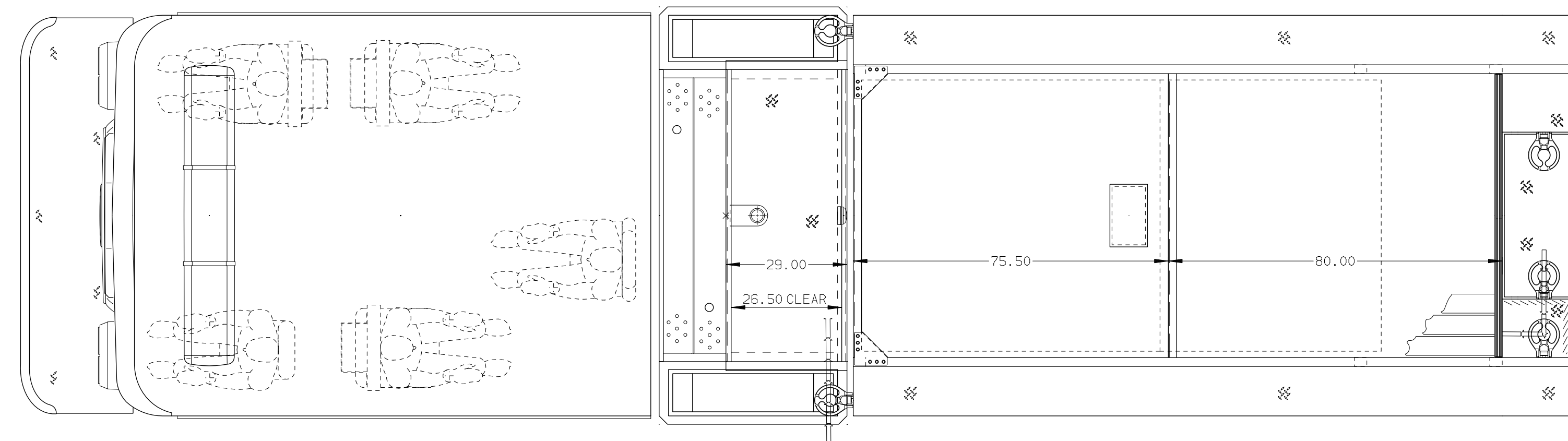
**NOTE**

DIMENSIONS SHOWN ARE APPROXIMATE AND ARE SUBJECT TO MINOR DEVIATIONS AS MAY OCCUR OR BE NECESSARY IN CONSTRUCTION. MINOR DETAILS NOT SHOWN.

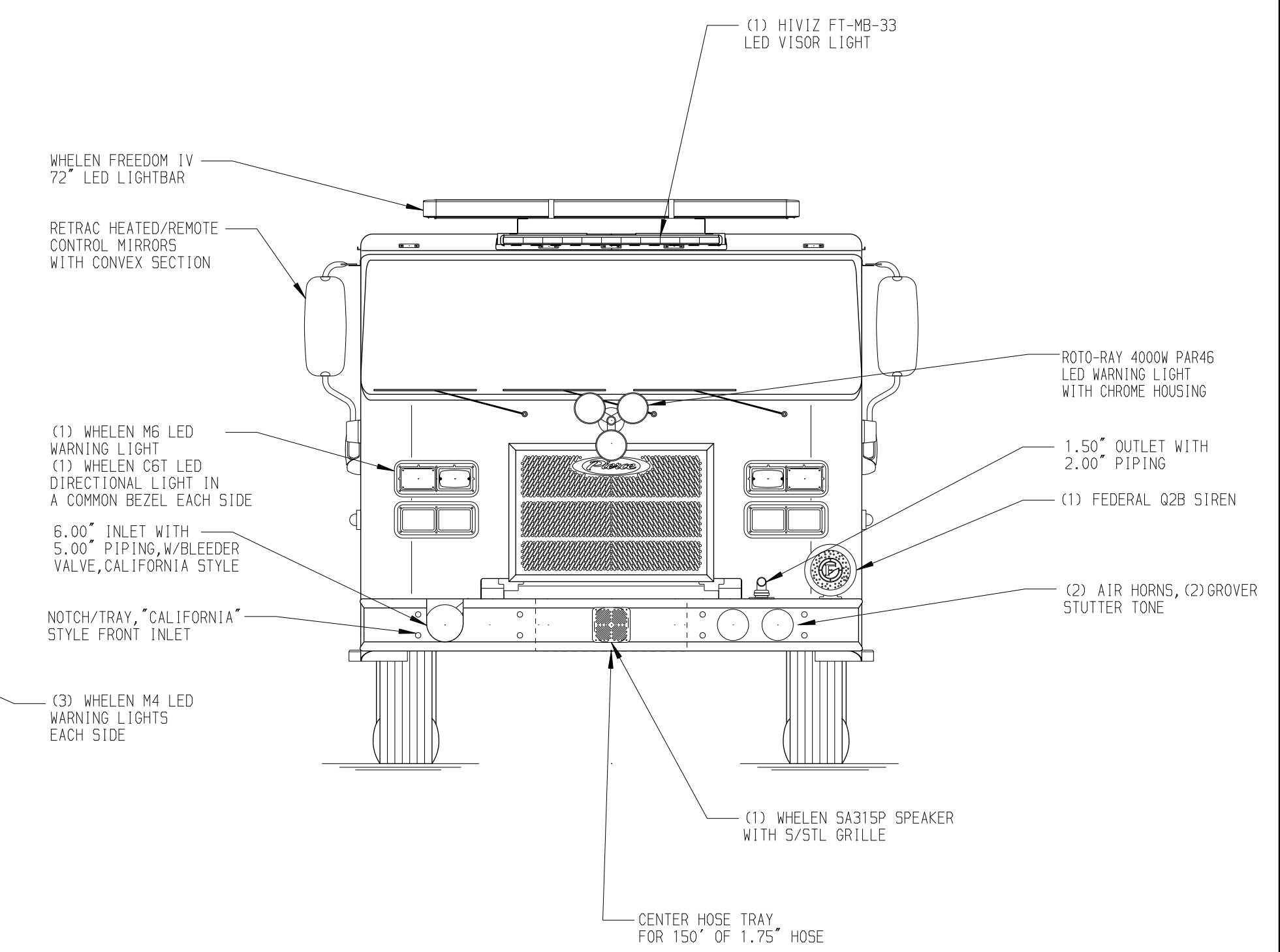
119.00  
(9'-11")  
APPROX  
O.A.H.



(3) COMPTS, AIR BOTTLE, DOUBLE, FULL WIDTH FENDER PANEL, PAINTED S/S DOOR/CHROME PLATED FLUSH LIFT & TURN LATCH, (2) RS & (1) LS



COMPT, AIR BOTTLE, SINGLE, COMMON TRIPLE (DEF/FUEL) PAINTED S/S DOOR/CHROME PLATED/FLUSH LIFT & TURN



WHELEN FREEDOM IV 72" LED LIGHTBAR

RETRAC HEATED/REMOTE CONTROL MIRRORS WITH CONVEX SECTION

(1) WHELEN M6 LED WARNING LIGHT  
(1) WHELEN C6T LED DIRECTIONAL LIGHT IN A COMMON BEZEL EACH SIDE

6.00" INLET WITH 5.00" PIPING, W/BLEEDER VALVE, CALIFORNIA STYLE

NOTCH/TRAY, "CALIFORNIA" STYLE FRONT INLET

(3) WHELEN M4 LED WARNING LIGHTS EACH SIDE

(1) H1V1Z FT-MB-33 LED VISOR LIGHT

ROTO-RAY 4000W PAR46 LED WARNING LIGHT WITH CHROME HOUSING

1.50" OUTLET WITH 2.00" PIPING

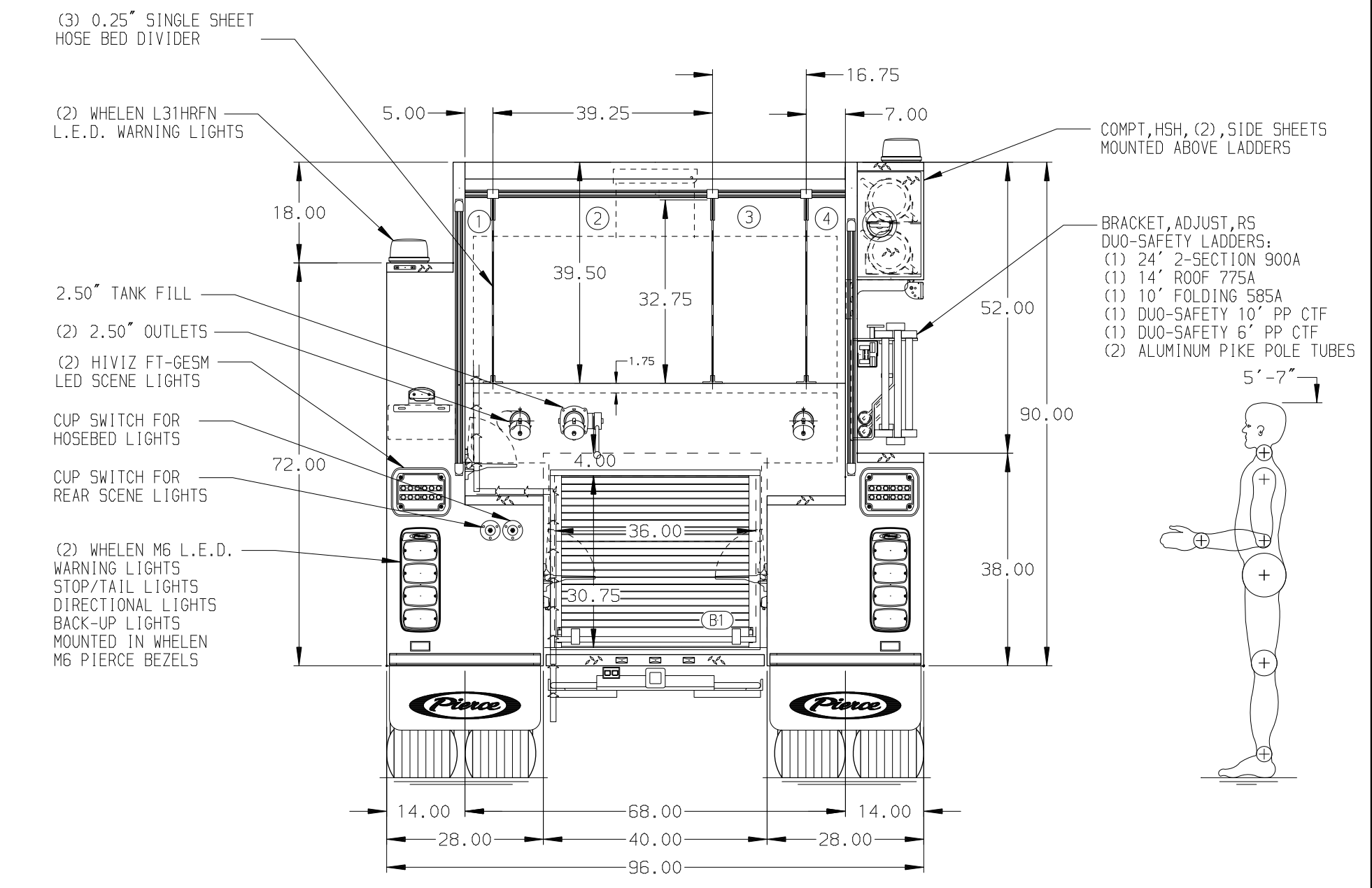
(1) FEDERAL Q2B SIREN

(2) AIR HORNS, (2) GROVER STUTTER TONE

(1) WHELEN SA31SP SPEAKER WITH S/STL GRILLE

CENTER HOSE TRAY FOR 150' OF 1.75" HOSE

HOSEBED CAPACITY	
<b>BED 1</b>	200' OF 2.50" D.J. POLY HOSE S/S
<b>BED 2</b>	1500' OF 4.00" D.J. POLY HOSE
<b>BED 3</b>	600' OF 3.00" D.J. POLY HOSE
<b>BED 4</b>	400' OF 1.75" D.J. POLY HOSE D/S



(3) 0.25" SINGLE SHEET HOSE BED DIVIDER

(2) WHELEN L31HRFN L.E.D. WARNING LIGHTS

2.50" TANK FILL

(2) 2.50" OUTLETS

(2) H1V1Z FT-B6SM LED SCENE LIGHTS

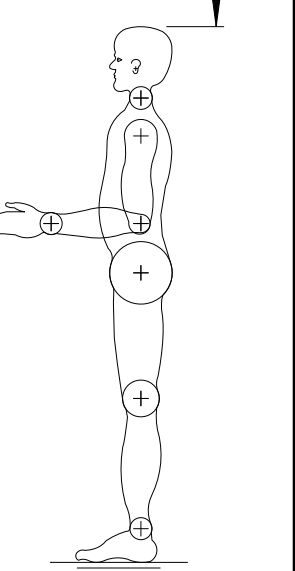
CUP SWITCH FOR HOSEBED LIGHTS

CUP SWITCH FOR REAR SCENE LIGHTS

(2) WHELEN M6 L.E.D. WARNING LIGHTS STOP/TAIL LIGHTS DIRECTIONAL LIGHTS BACK-UP LIGHTS MOUNTED IN WHELEN M6 PIERCE BEZELS

COMPT, HSH, (2) SIDE SHEETS MOUNTED ABOVE LADDERS

BRACKET, ADJUST, RS DUO-SAFETY LADDERS:  
(1) 24" 2-SECTION 900A  
(1) 14" ROOF 775A  
(1) 10" FOLDING 585A  
(1) DUO-SAFETY 10" PP CTF  
(1) DUO-SAFETY 8" PP CTF  
(2) ALUMINUM PIKE POLE TUBES



		JOB NO.	37184
		SCALE	DATE
TITLE	Pierce Pumper Approval Drawing	DRAWN BY	MMF
FOR	Beaufort Fire Department	CHECKED BY	COL
DWG NO.	37184AD	SHEET SIZE	SHEET NO.
REV		D	1 OF 1

REV	DATE	BY	CH	SABER FR
09DEC21	JLA	DDR		CHASSIS DATA
07DEC21	JLA	DDR		MAKE
22OCT21	JLA	DDR		PIERCE
21OCT21	JLA	DDR		MODEL