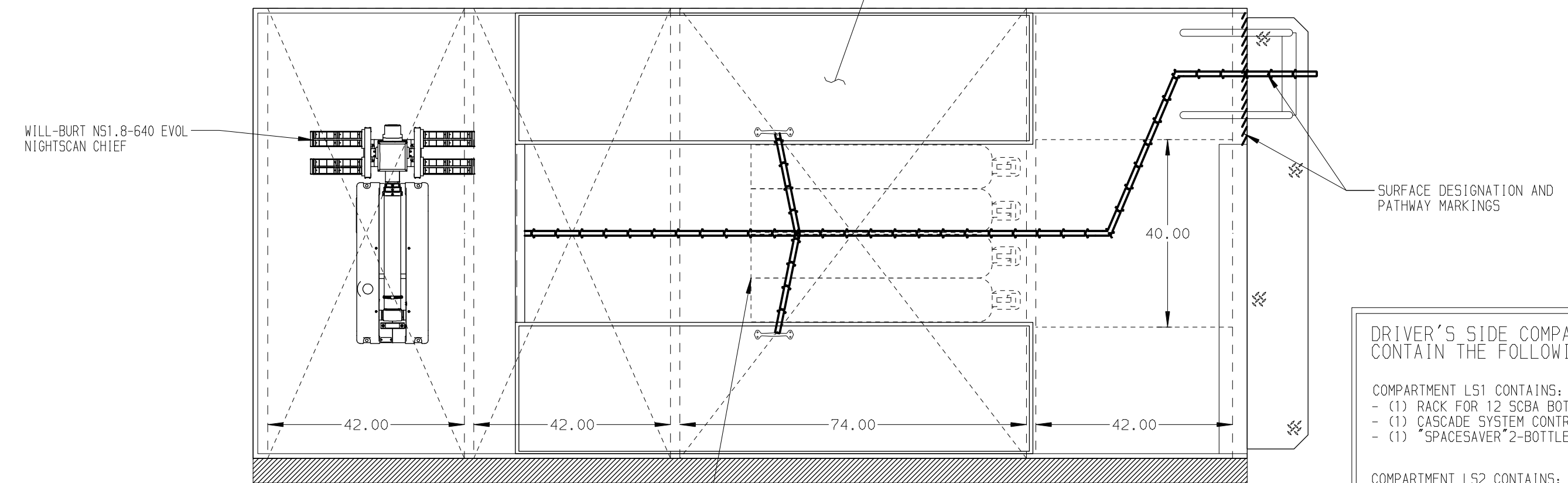
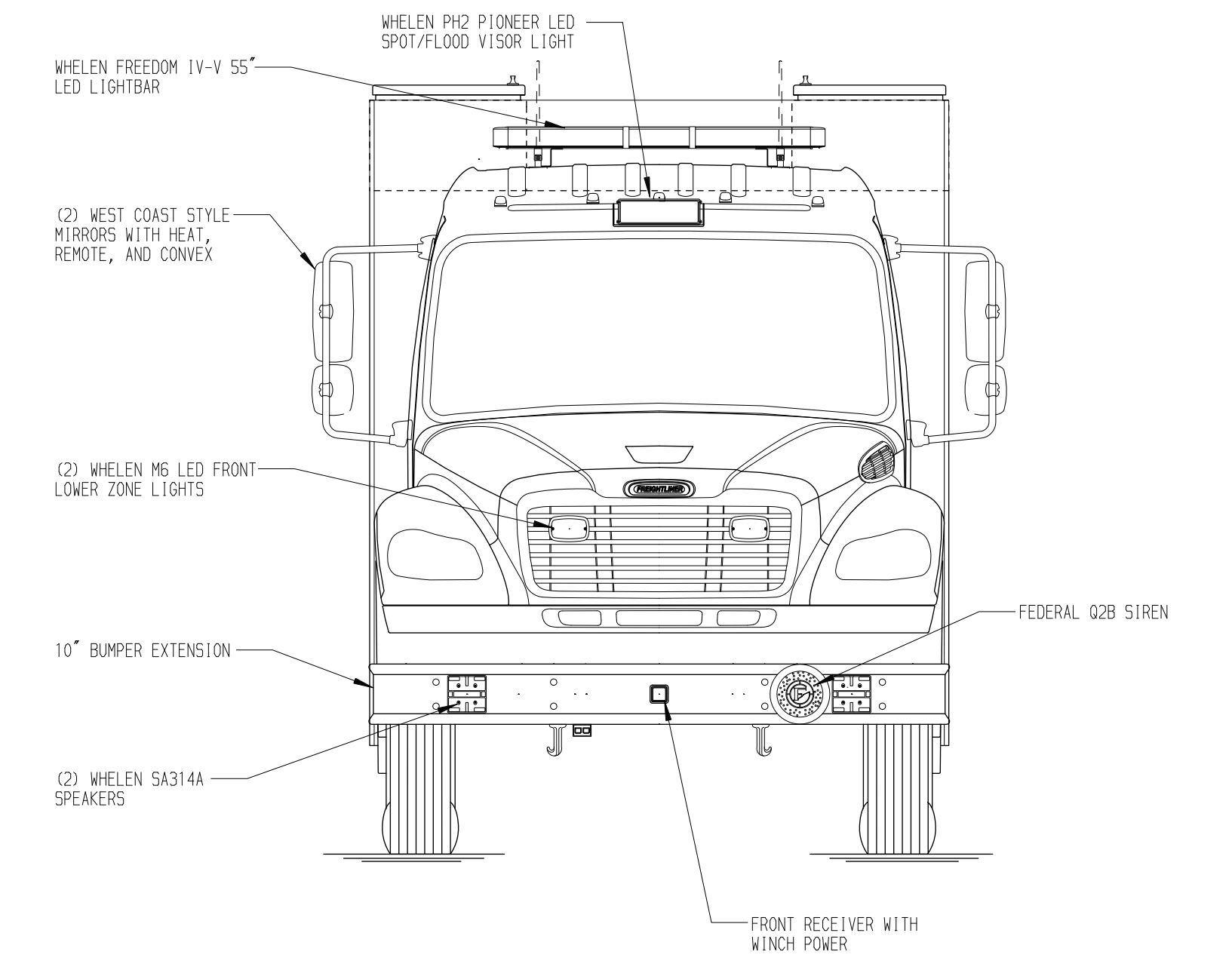
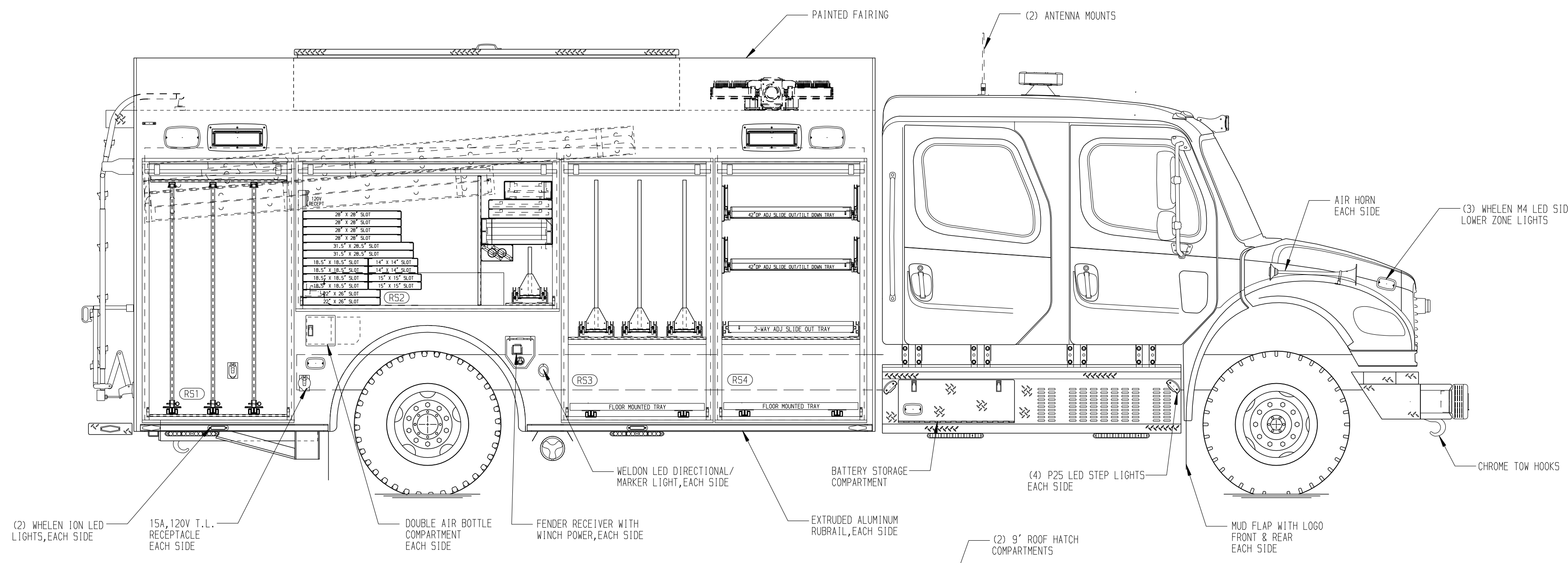


**PASSENGER'S SIDE COMPARTMENTS CONTAIN THE FOLLOWING:**

- COMPARTMENT RS1 CONTAINS:**  
 - (3) 22"D ADJ SLIDE OUT TOOLBOARDS  
 - (1) 15/20A, 120V DUPLEX RECEPTACLE
- COMPARTMENT RS2 CONTAINS:**  
 - (1) VERTICAL COMPARTMENT DIVIDER  
 - (1) 16 SLOT AIR BAG RACK  
 - (1) STORAGE RACK FOR 2 BACKBOARDS  
 - (1) RACK FOR 2 PIKE POLES  
 - (1) 42" DP ADJ SLIDE OUT TOOLBOARD  
 - (1) RACK FOR DUO-SAFETY 10" 701 LADDER  
 - (1) RACK FOR DUO-SAFETY 35-B COMBO LADDER  
 - (2) 15/20A, 120V 4-PLACE RECEPTACLES
- COMPARTMENT RS3 CONTAINS:**  
 - (1) FLOOR MOUNTED SLIDE OUT TRAY  
 - (3) 42" DP TOOLBOARDS IN SLIDEOUT TRAYS  
 - (1) HORIZONTAL FLOOR EXTENSION
- COMPARTMENT RS4 CONTAINS:**  
 - (1) FLOOR MOUNTED SLIDE OUT TRAY  
 - (1) FLOOR MOUNTED 2-WAY SLIDE OUT TRAY  
 - (2) 42" DP SLIDE OUT/TILT DOWN TRAYS  
 - (1) HORIZONTAL FLOOR EXTENSION



**REAR COMPARTMENT CONTAINS THE FOLLOWING:**

**COMPARTMENT R1 CONTAINS:**  
 - (2) 38" DP ADJ SLIDE OUT/TILT TRAYS  
 - (1) 38" DP SLIDE OUT FLOOR TRAY  
 - (1) RACK FOR DUO-SAFETY 1275-R FOLDING LADDER  
 - (1) RACK FOR DUO-SAFETY 925-A LADDER  
 - (1) RACK FOR 6 PIKE POLES

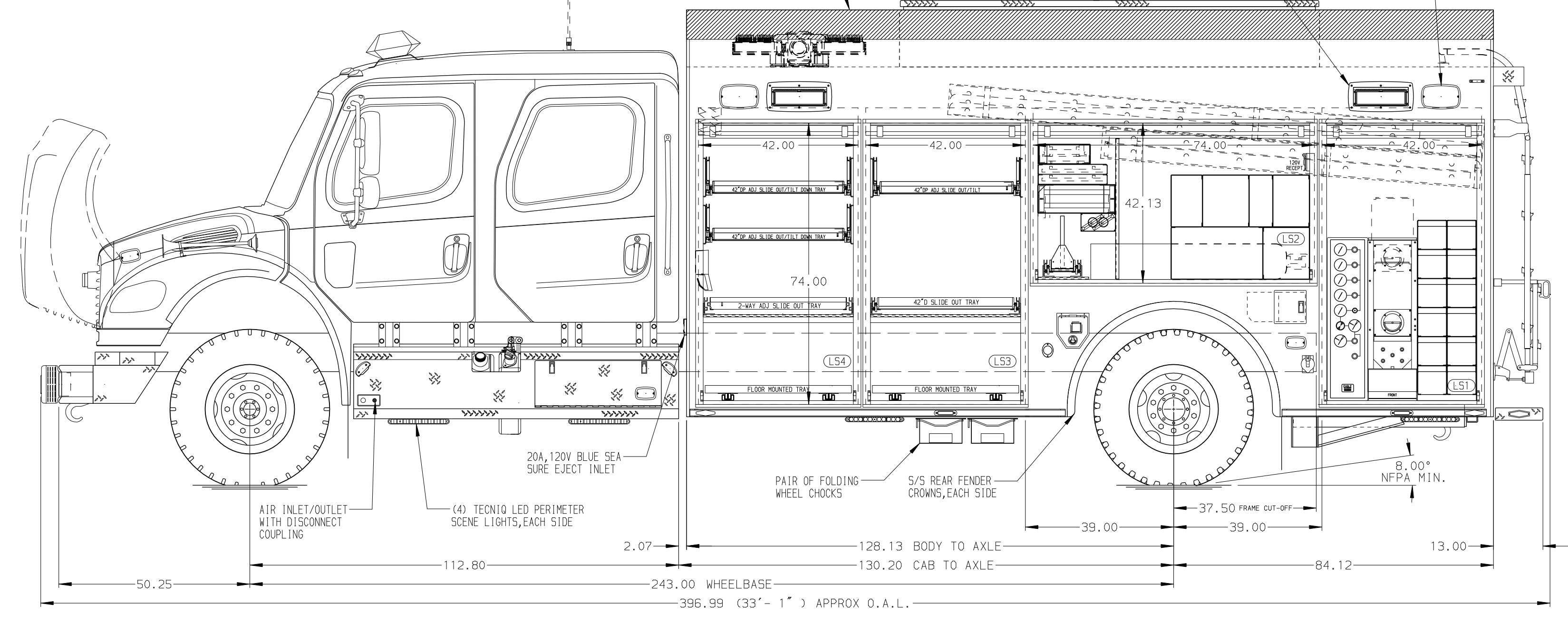
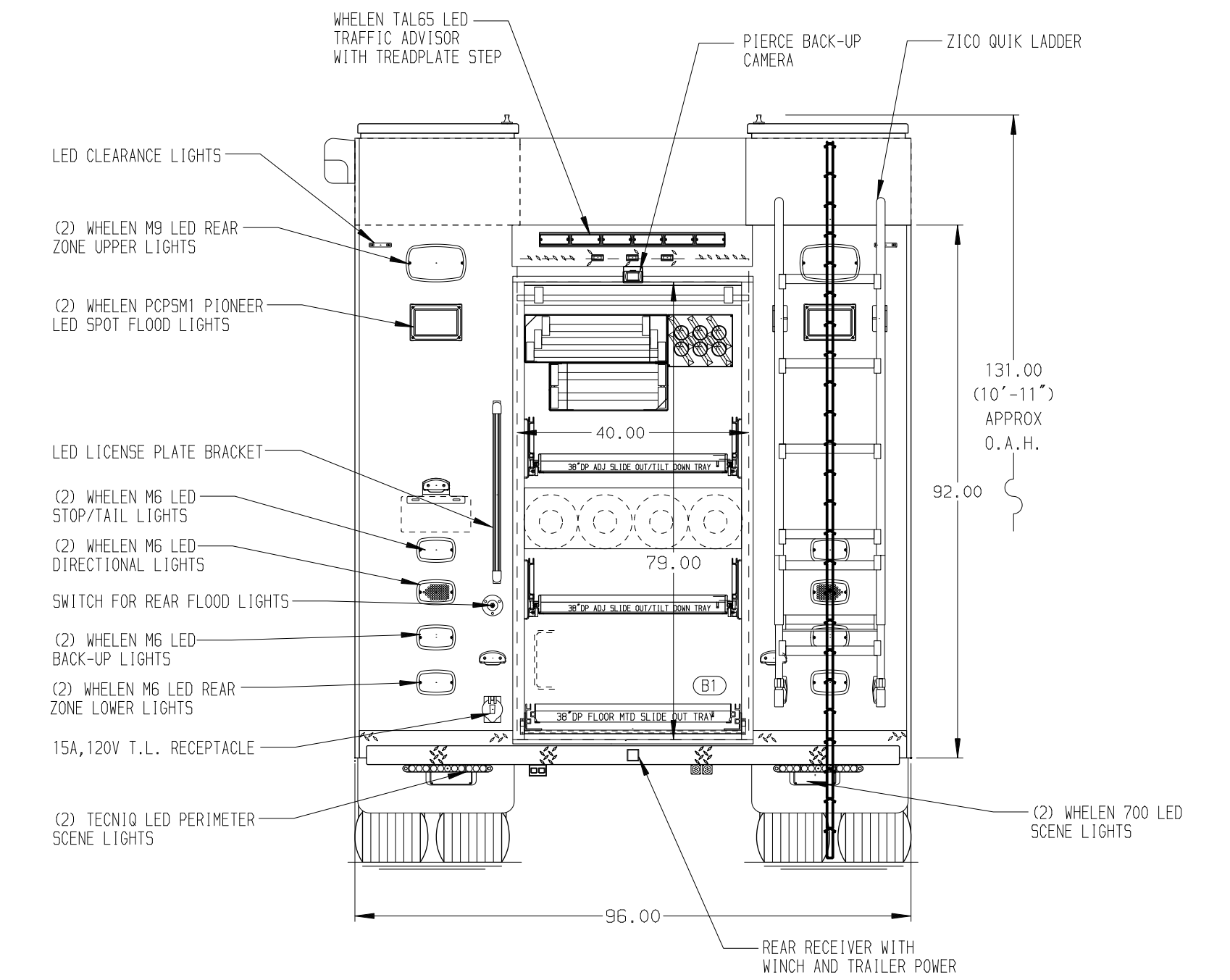
**DRIVER'S SIDE COMPARTMENTS CONTAIN THE FOLLOWING:**

**COMPARTMENT LS1 CONTAINS:**  
 - (1) RACK FOR 12 SCBA BOTTLES  
 - (1) CASCADE SYSTEM CONTROL PANEL  
 - (1) "SPACE SAVER" 2-BOTTLE FILL ENCLOSURE

**COMPARTMENT LS2 CONTAINS:**  
 - (1) VERTICAL COMPARTMENT DIVIDER  
 - (1) 42" DP SLIDE OUT TOOLBOARD  
 - (1) RACK FOR 2 PIKE POLES  
 - (1) 6-SLOT STORAGE RACK  
 - (1) STORAGE RACK FOR 2 BACKBOARDS  
 - (1) RACK FOR DUO-SAFETY 10" 701 LADDER  
 - (1) RACK FOR DUO-SAFETY 35-B COMBO LADDER  
 - (1) 15/20A, 120V DUPLEX RECEPTACLE

**COMPARTMENT LS3 CONTAINS:**  
 - (1) FLOOR MOUNTED SLIDE OUT TRAY  
 - (1) 42" DP FLOOR MOUNTED SLIDE OUT TRAY  
 - (1) 42" DP SLIDE OUT/TILT DOWN TRAY  
 - (1) HORIZONTAL FLOOR EXTENSION

**COMPARTMENT LS4 CONTAINS:**  
 - (1) FLOOR MOUNTED SLIDE OUT TRAY  
 - (1) 2-WAY FLOOR MOUNTED SLIDE OUT TRAY  
 - (1) HORIZONTAL FLOOR EXTENSION  
 - (2) 42" DP SLIDE OUT/TILT DOWN TRAYS  
 - (1) LIGHT MAST CONTROLLER  
 - (1) KUSSMALL PUMP PLUS 1200 CHARGER



**CUSTOMER APPROVAL**  
 APPROVED BY: \_\_\_\_\_  
 DATE: \_\_\_\_\_



JOB NO.	37188
SCALE	DATE
1:24	
DRAWN BY	18FEB22
DHE	
CHECKED BY	23FEB22
CDK	
SHEET SIZE	SHEET NO.
D	1 OF 1

CLEAR DOOR WIDTH KEY		CHASSIS DATA	TITLE
AMDR ROLL UP DOORS:	-2 1/4"	MAKE	ENCORE RESCUE VEHICLE
CORTITE ROLL UP DOORS:	-2 1/2"	FL	42.42.74.42
PIERCE DOUBLE LAP DOORS:	-4 1/4"	MODEL	CARENCO FIRE DEPARTMENT
PIERCE LIFT-LAP DOORS:	-1 1/2"	M2-106	BID #930
(EX: 60" F-F - 2 1/4" = 57 3/4" CLEAR) (F-F) = FRAME TO FRAME		REV	DWG NO.
		DATE	37188AD
		BY	
		CH	

**NOTE**  
 DIMENSIONS SHOWN ARE APPROXIMATE AND ARE SUBJECT TO MINOR DEVIATIONS AS MAY OCCUR OR BE NECESSARY IN CONSTRUCTION. MINOR DETAILS NOT SHOWN.

- NOTES:**
- #9000 PORTABLE WARN WINCH
  - PULL-STRAPS ON ALL BODY ROLL-UP DOORS
  - PIERCE LED LIGHTS IN ALL BODY AND HATCH COMPARTMENTS
  - BATTERY CHARGE INDICATOR LOCATED ON THE DRIVER'S SEAT RISER