

PUMPER BODY
Long Aluminum 2nd Gen Pumper

CHASSIS
Enforcer Chassis

CHASSIS AXLE, FRONT, CUSTOM
19,500 Lb TAK-4 Axle

AXLE, REAR
27,000 Lb Dana Axle

ENGINE
450 HP Cummins L9 Engine

TRANSMISSION
Allison 5th Gen, 3000 EVS P

BUMPER
19" Extended Stainless Steel

CAB
6010 Enforcer Cab

BODY WATER TANK
1000 Gallon Poly Water Tank

COMPT, PUMPER, REAR
37.75" FF RollUp 25.88" Deep Flush Rear Compt

COMPT, PUMPER, DRIVER SIDE
161" Lap Full Height Front & Rear FDLER

COMPT, PUMPER PASS. SIDE
161" Lap Full Height Front & Rear FDLER

FIRE SUPPRESSION PUMPHOUSE
45" Control Zone Side Mount

PUMP
1500 GPM Waterous CSU

CROSSLAYS, 1.50"
1.50" Crosslays Not Required

CROSSLAYS, 2.50"
(1) 2.50" Standard Capacity

SPEEDLAYS
(2) 1.50" W/Troy Std. Capacity

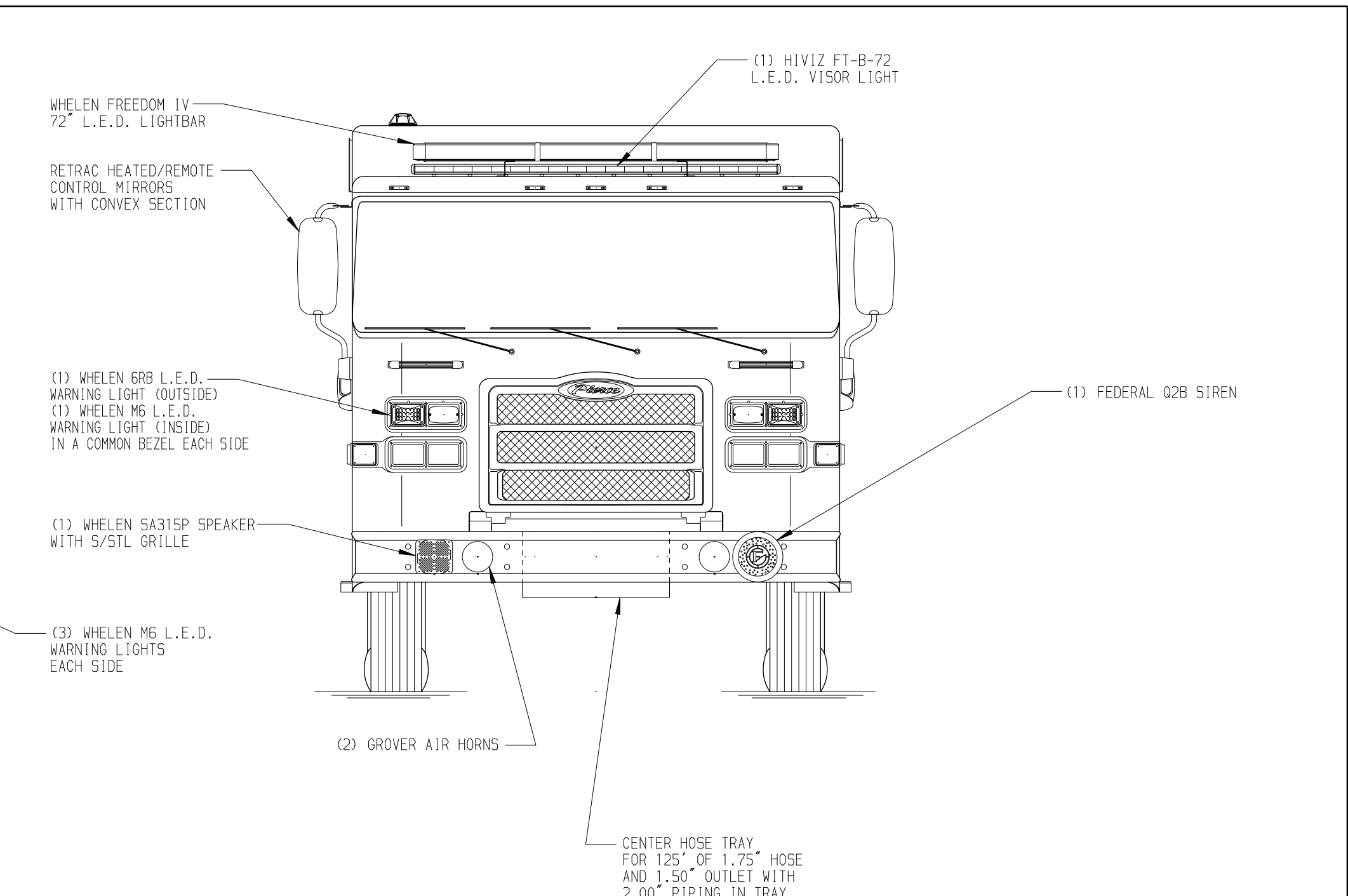
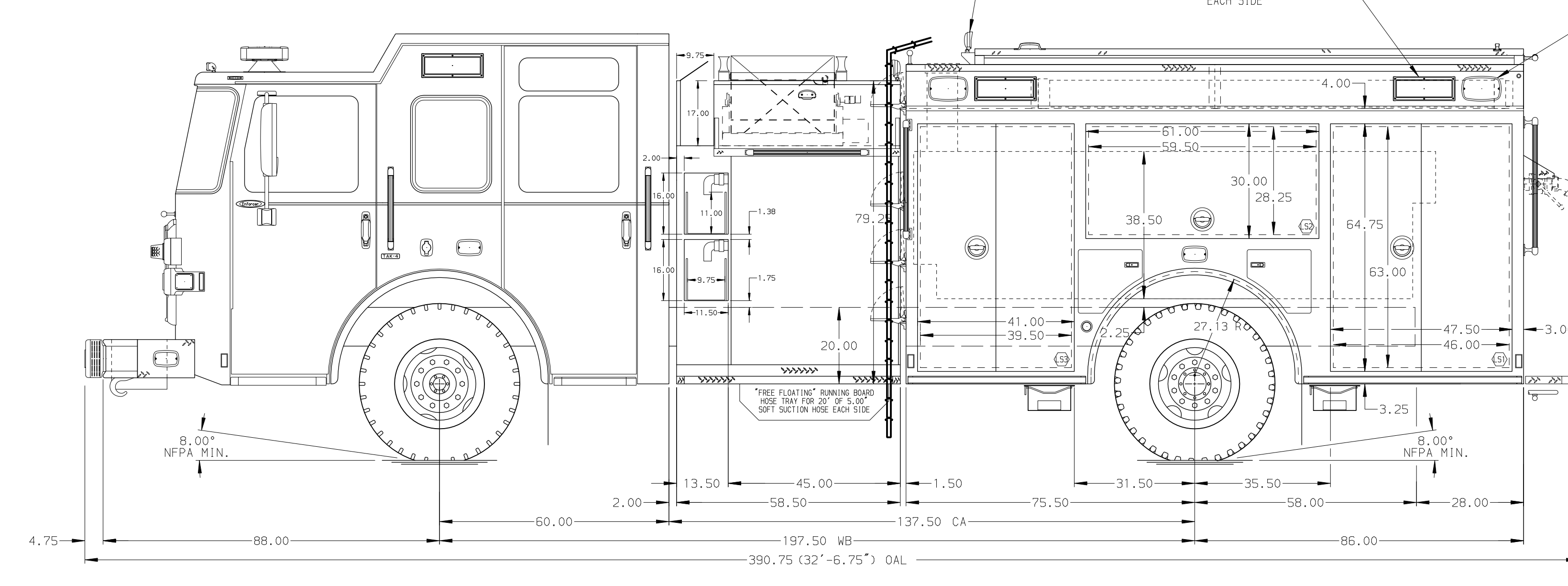
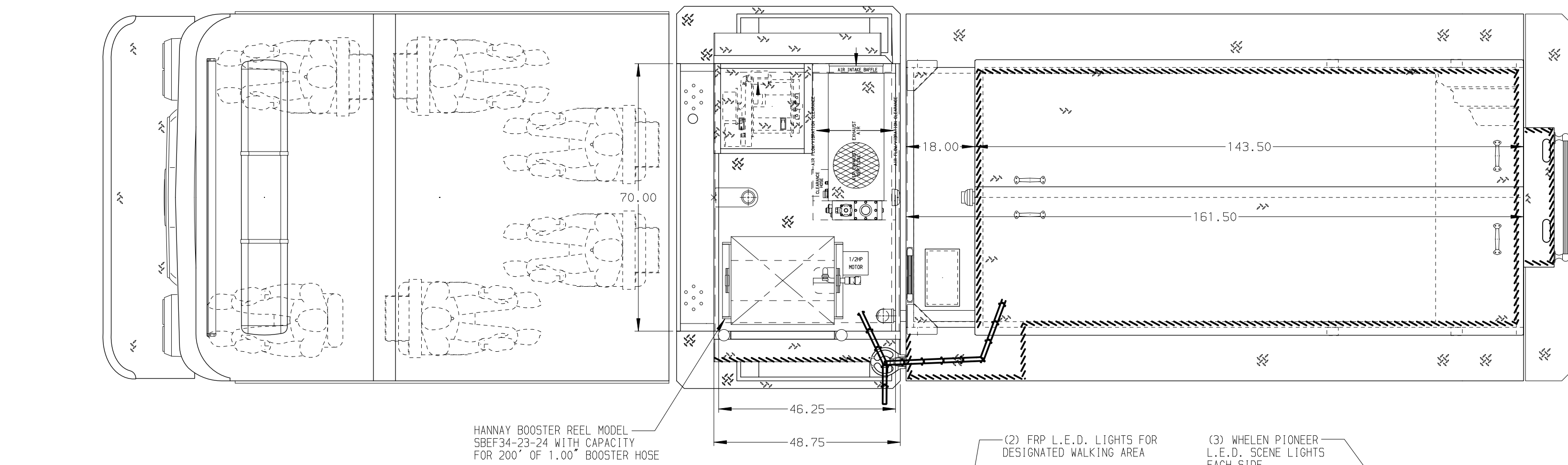
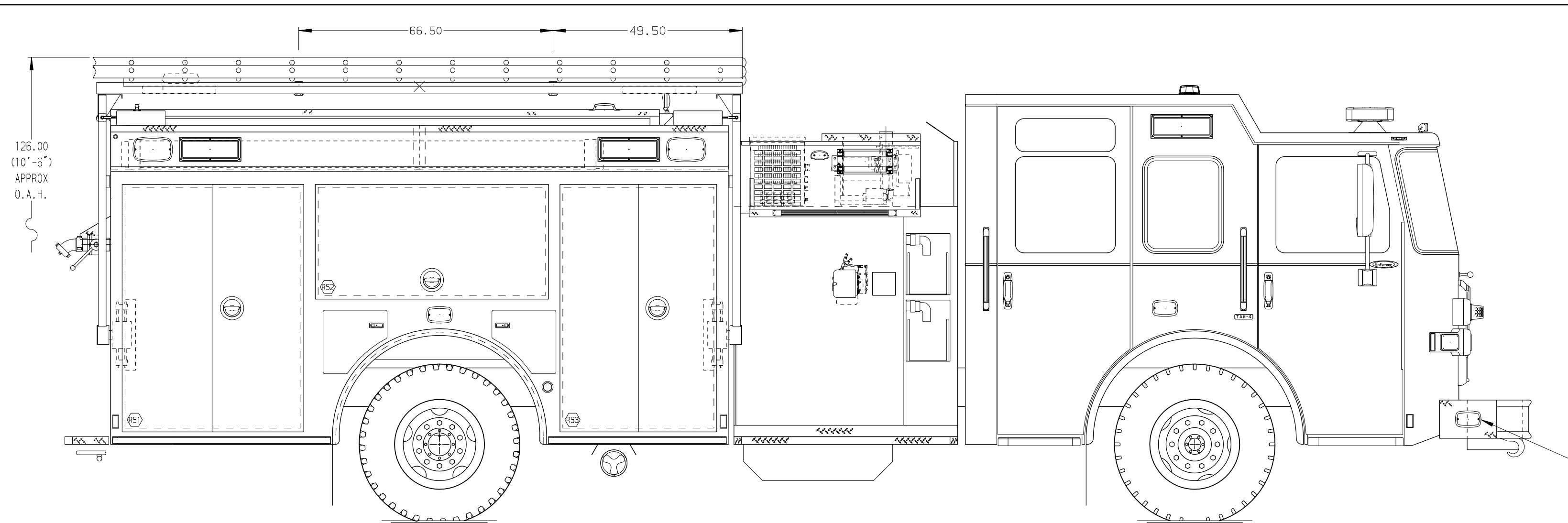
GENERATOR
Harrison 6kW MCR Generator

Foam System
Foam System Not Required

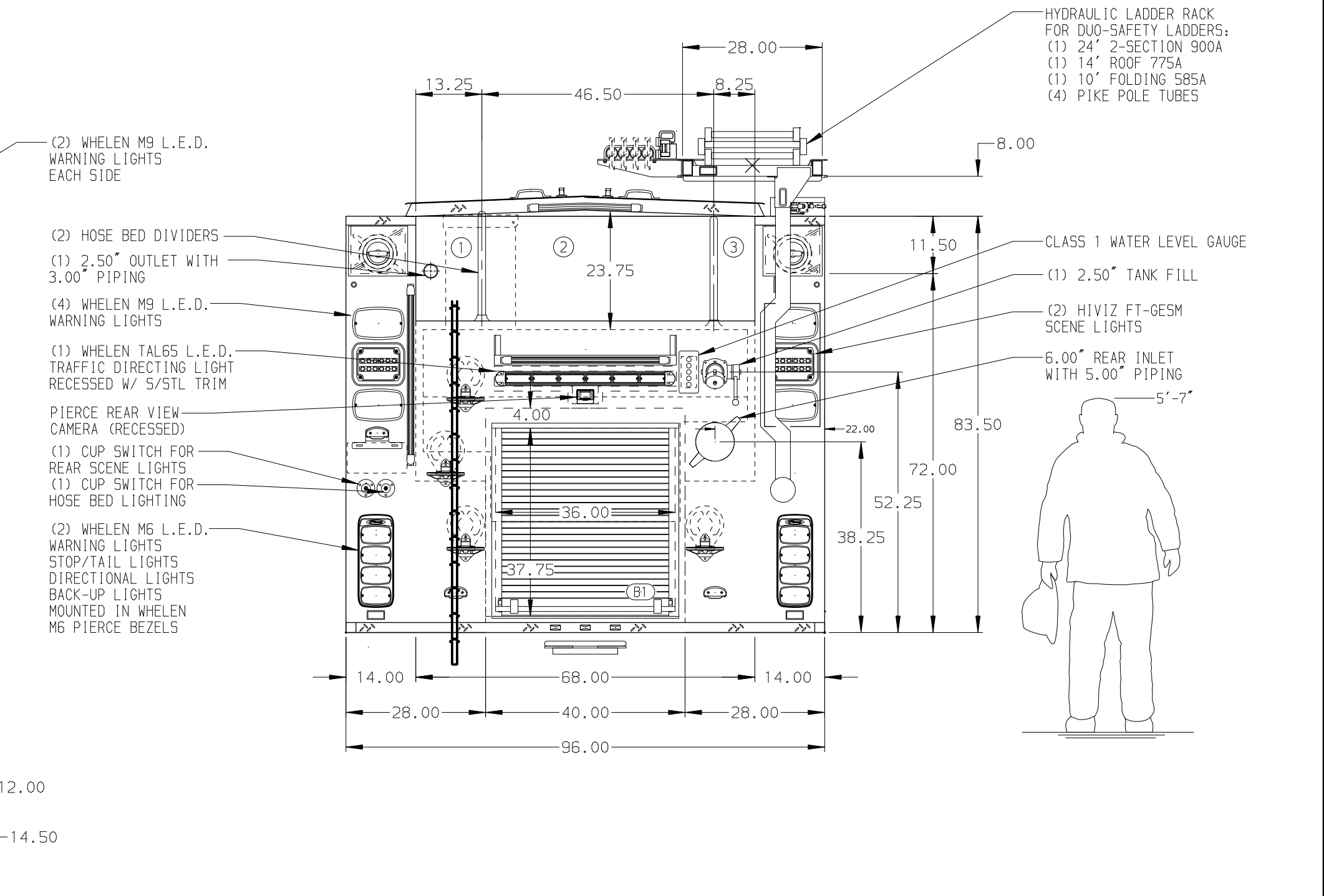
Foam Cell
Foam Cell Not Required

Side Roll and Frontal Impact Protection

NOTE
DIMENSIONS SHOWN ARE APPROXIMATE AND ARE SUBJECT TO MINOR DEVIATIONS AS MAY OCCUR OR BE NECESSARY IN CONSTRUCTION. MINOR DETAILS NOT SHOWN.



HOSEBED CAPACITY	
BED 1	600' OF 3.00" D.J. POLY HOSE
BED 2	1500' OF 5.00" D.J. POLY HOSE
BED 3	500' OF 1.75" D.J. POLY HOSE



CUSTOMER APPROVAL			
APPROVED BY:			
DATE:			
CHASSIS DATA	TITLE	Pierce Pumper Approval Drawing	
MAKE	FOR	Northview Fire Department	
PIERCE	DWG NO.	37212AD	
MODEL	ENFORCER		
REV	DATE	BY	CH

Pierce MANUFACTURING INC.		JOB NO.	37212
		SCALE	1:24
		DATE	
		DRAWN BY	MMF
		01FEB22	
		CHECKED BY	COL
		01FEB22	
		SHEET SIZE	D
		SHEET NO.	1 OF 1

1. AUTOMATIC TIRE CHAINS
2. SHORELINE RECEPTACLE WITH KUSSMAUL SUPER AUTO-EJECT LOCATED ON LEFT SIDE OF THE CAB
3. AIR INLET/OUTLET WITH DISCONNECT COUPLING IN THE LEFT SIDE PUMP PANEL
4. BATTERY CHARGER LOCATED IN COMPARTMENT PER SHOP ORDER
5. BATTERY CHARGE INDICATOR LOCATED ON THE DRIVER'S SEAT RISER
6. FOUR ADJUSTABLE SHELVES LOCATED PER SHOP ORDER
7. ONE VERTICAL PARTITION LOCATED PER SHOP ORDER
8. PARTITION BETWEEN COMPARTMENTS L51/B1 AND R51/B1
9. CIRCUIT BREAKER PANEL LOCATED PER SHOP ORDER
10. ONE 120V DUPLEX RECEPTACLE LOCATED PER SHOP ORDER
11. HANNAY CORD REEL E1618-17-18 LOCATED IN CARGO AREA WITH 200' OF 10/3 CABLE
12. ONE FLOOR MOUNTED SLIDE-OUT TRAY LOCATED PER SHOP ORDER
13. ONE SWING-OUT TOOLBOARD LOCATED PER SHOP ORDER