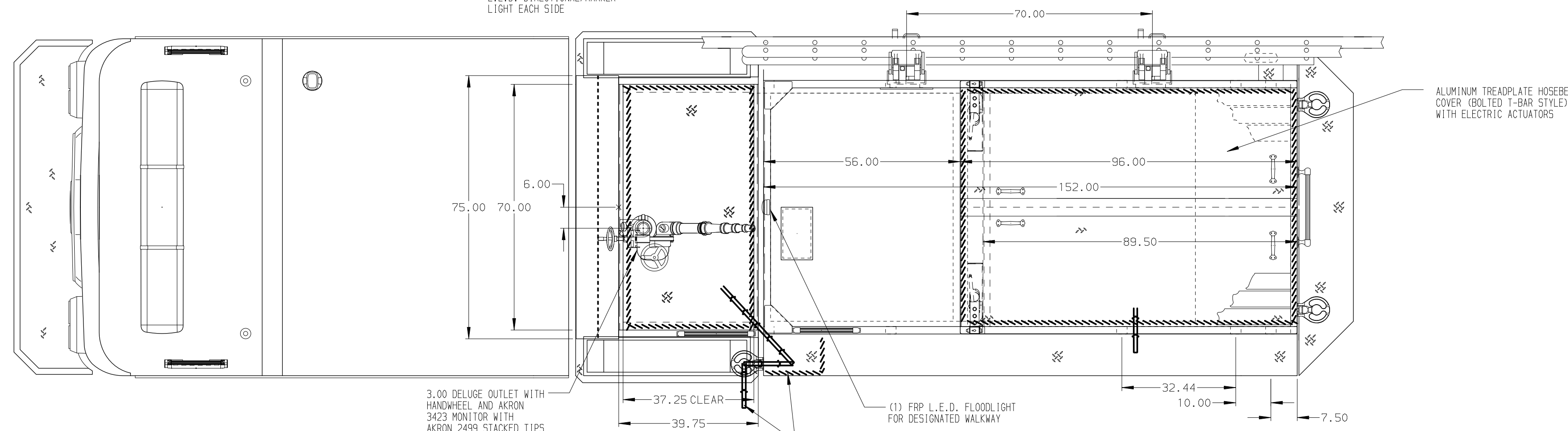
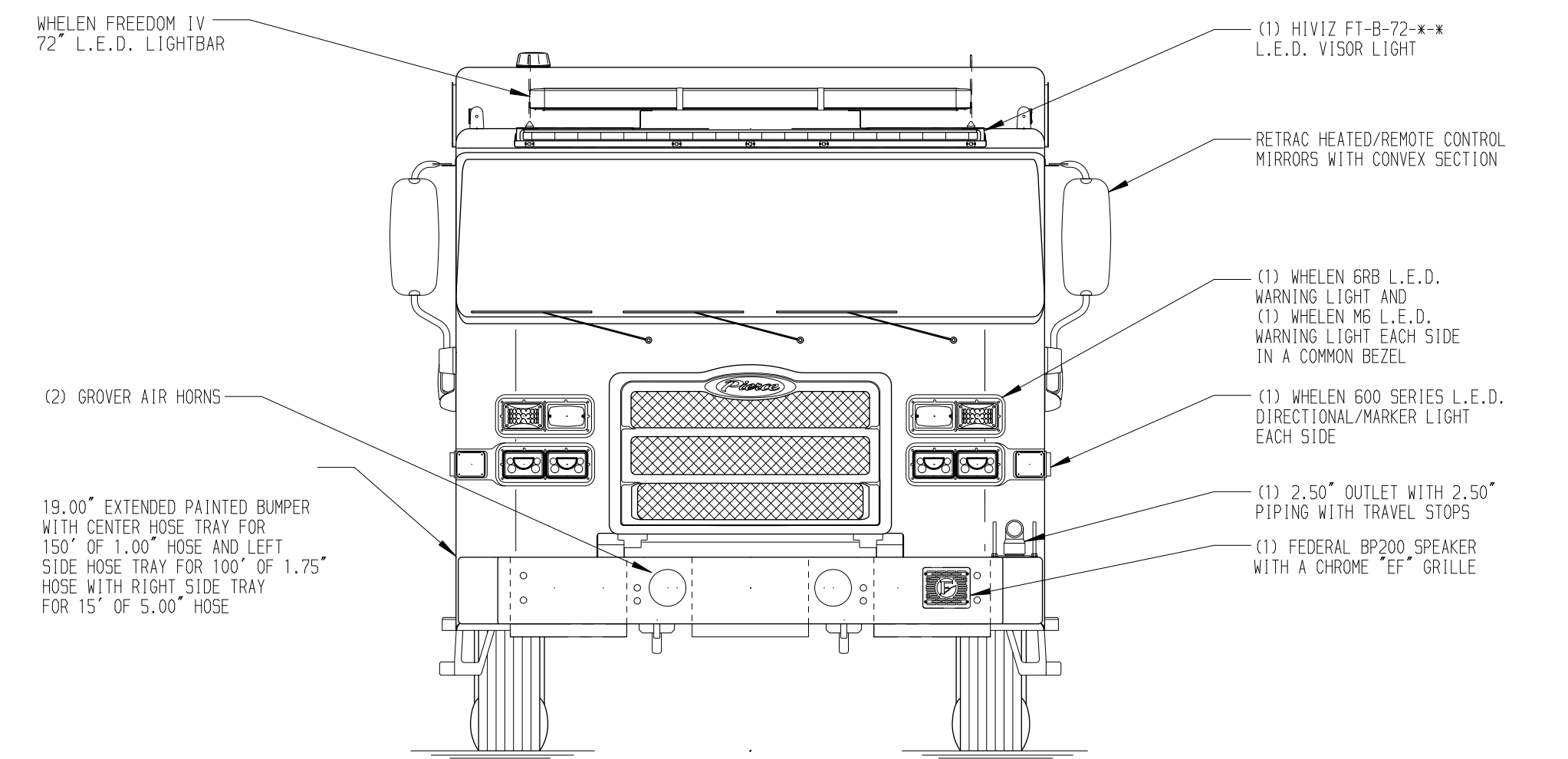
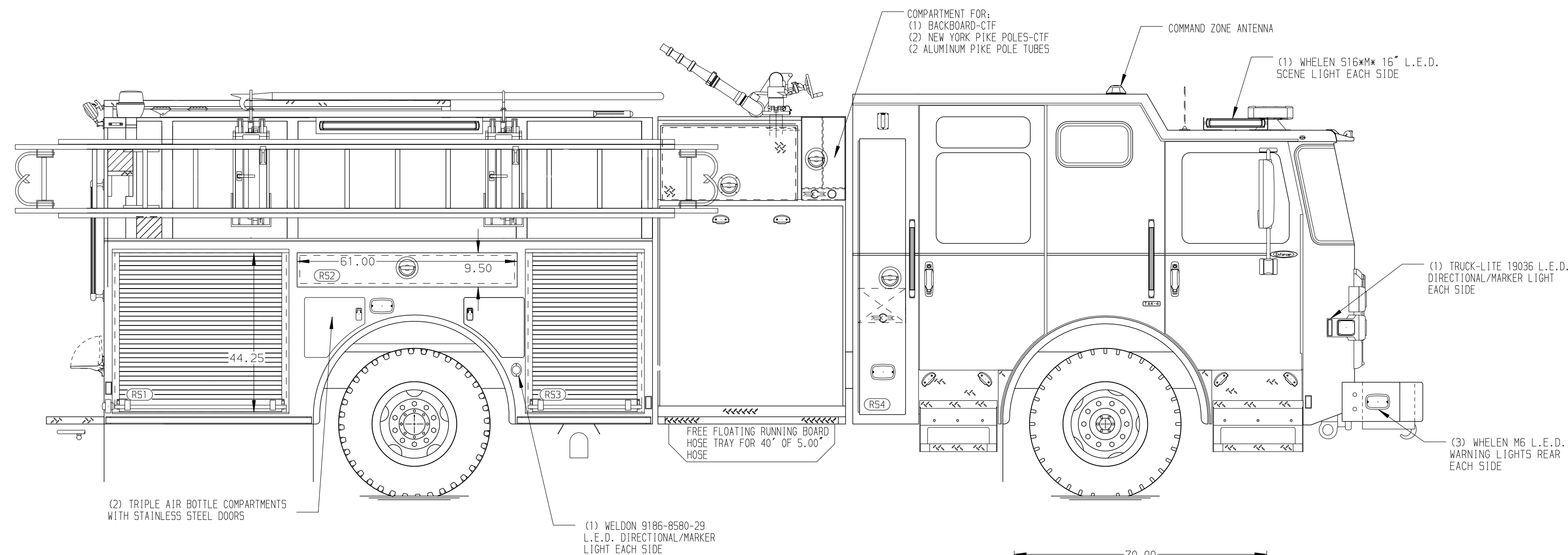
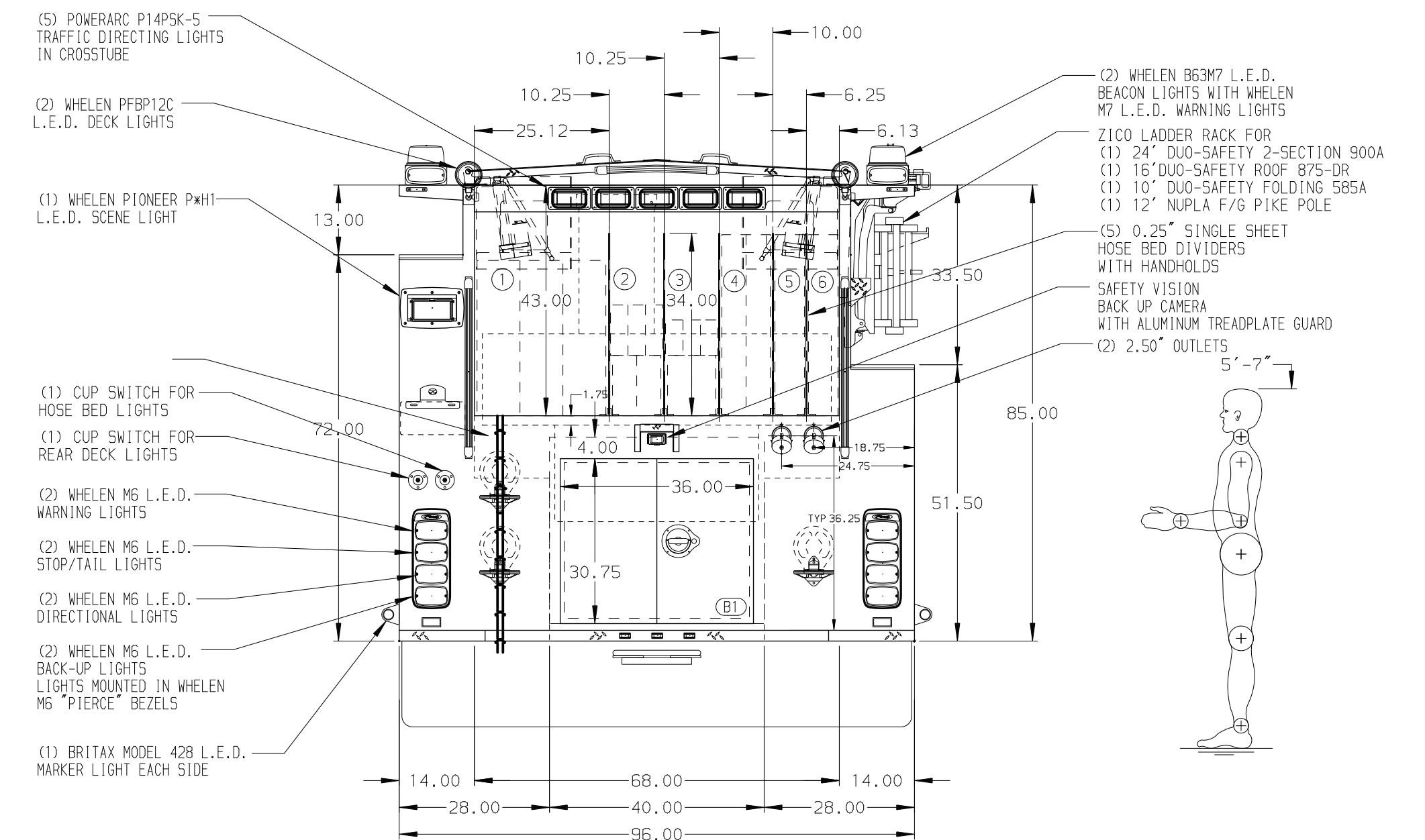
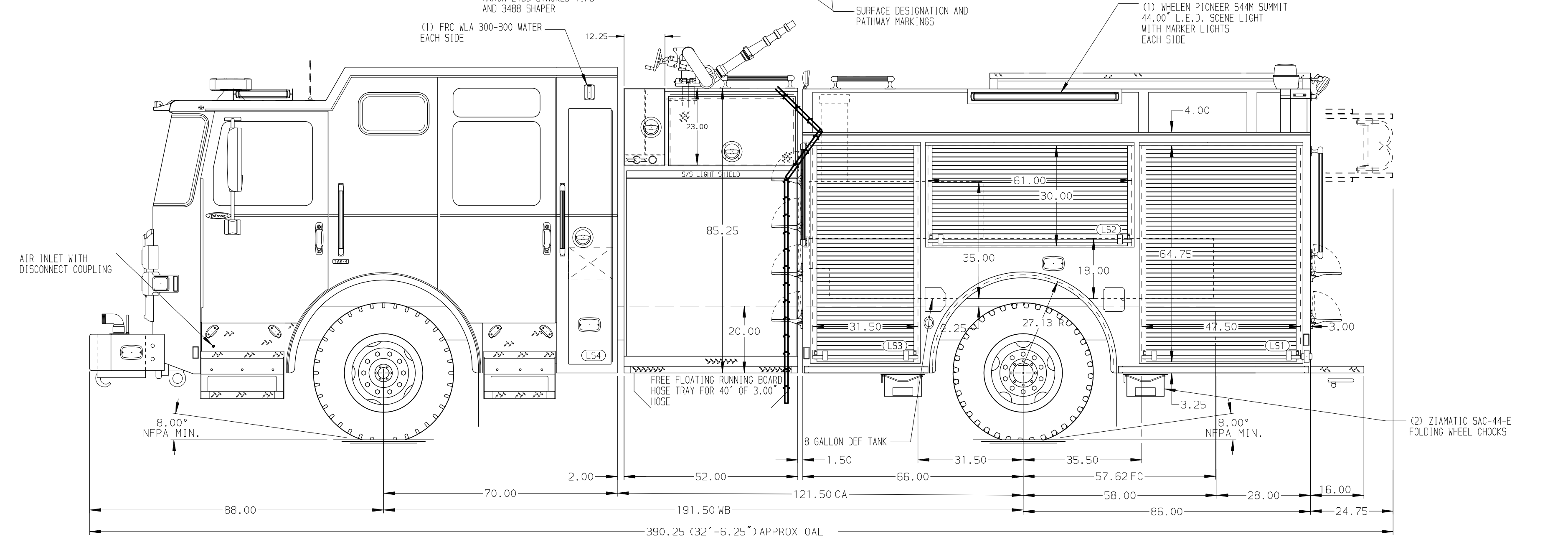


118.00
(9'-10")
APPROX
O.A.H.



- HOSEBED CAPACITIES
- ① 800' OF 5.00" HOSE
 - ② 200' OF 2.50" WITH 300' OF 1.75" HOSE (TOP)
 - ③ 200' OF 2.50" WITH 200' OF 1.75" HOSE (TOP)
 - ④ 600' OF 2.50" HOSE
 - ⑤ 300' OF 3.00" HOSE
 - ⑥ 300' OF 3.00" HOSE



ALUMINUM BODY

SIDE ROLL AND FRONTAL IMPACT PROTECTION

NOTE
DIMENSIONS SHOWN ARE APPROXIMATE AND ARE SUBJECT TO MINOR DEVIATIONS AS MAY OCCUR OR BE NECESSARY IN CONSTRUCTION. MINOR DETAILS NOT SHOWN.

1. ONSPOT AUTOMATIC TIRE CHAINS TO BE PROVIDED AT REAR
2. BATTERY CHARGER LOCATED BEHIND THE DRIVER'S SEAT
3. BATTERY CHARGER INDICATOR LOCATED ON DRIVER'S SEAT RISER
4. DUAL L.E.D. LIGHT STRIPS LOCATED IN HOSE BED
5. SEVEN DRIP PAN GUARDS FOR ROLL-UP DOORS LOCATED PER ORDER
6. FOUR FULL WIDTH/DEPTH ADJUSTABLE SHELVES LOCATED PER ORDER
7. THREE ADJUSTABLE SLIDE-OUT TRAYS LOCATED PER ORDER
8. THREE 120V DUPLEX RECEPTACLE LOCATED PER ORDER
9. AIR OUTLET WITH SHUT OFF VALVE LOCATED PER ORDER
10. SHORELINE RECEPTACLE WITH KUSSMAUL SUPER AUTO-EJECT LOCATED ON DRIVER'S SEAT RISER

CUSTOMER APPROVAL

APPROVED BY: _____
DATE: _____



JOB NO. 37217
01-02

SCALE 1:24 DATE

DRAWN BY LME 25MAR22

CHECKED BY CZA 25MAR22

SHEET SIZE D SHEET NO. 1 OF 1

REV	DATE	BY	CH	ENFORCER

TITLE	FOR	DWG NO.
1750-D-500P, 152" PUMPER BODY, FDLER DELUGE, ZICO QUIC-LIFT RACK	CLARK FIRE DISTRICT 6 VANCOUVER, WASHINGTON	37217AD