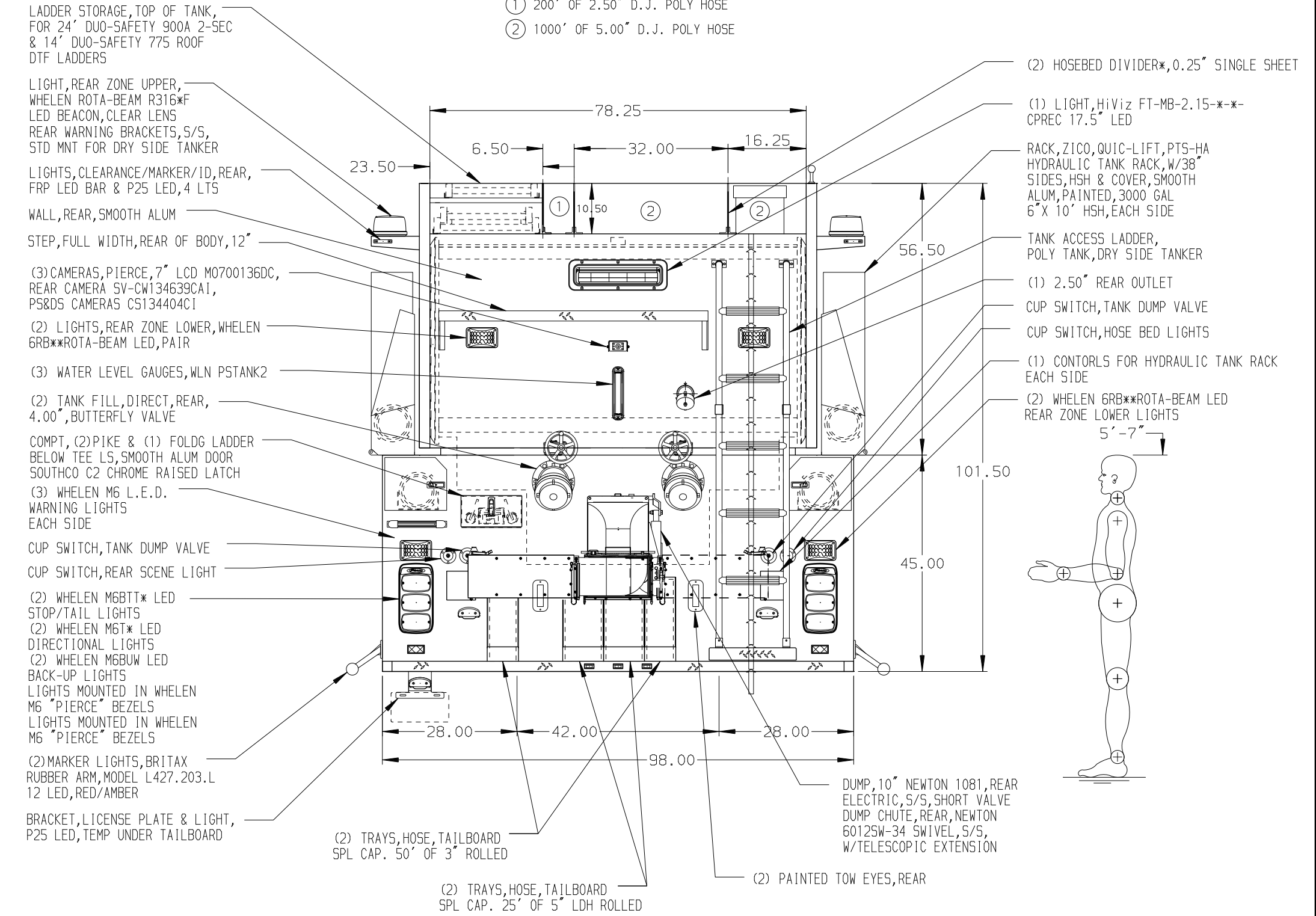
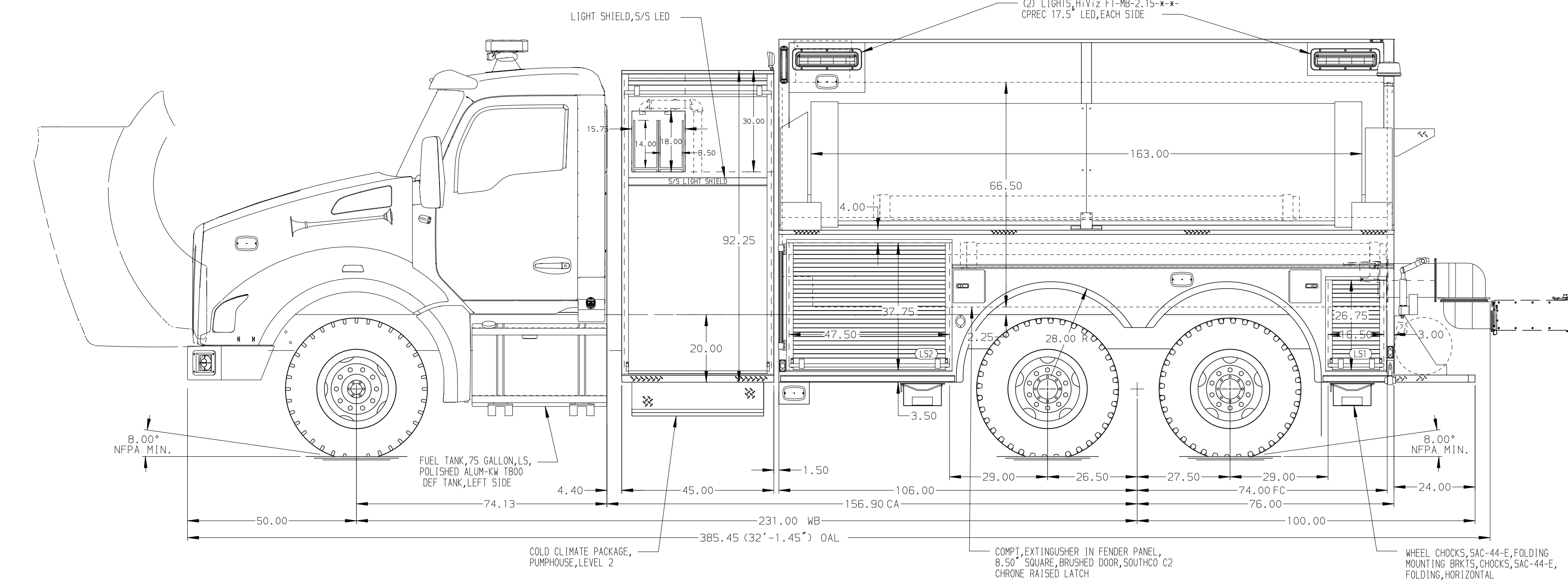


- HOSEBED CAPACITIES
- ① 200' OF 2.50" D.J. POLY HOSE
 - ② 1000' OF 5.00" D.J. POLY HOSE



ALUMINUM BODY

MAXIMUM O.A.L. 408"

MAXIMUM O.A.H. 130"

NOTE
DIMENSIONS SHOWN ARE APPROXIMATE AND ARE SUBJECT TO MINOR DEVIATIONS AS MAY OCCUR OR BE NECESSARY IN CONSTRUCTION. MINOR DETAILS NOT SHOWN.

CHASSIS DATA		TITLE	1250-D-3000P, 182" DRYSIDE	JOB NO.	37225
MAKE		FOR	45" SIDE CONTROL, (2) 1.50" SPEEDLAYS	SCALE	DATE
KENWORTH			GRANITE FALLS FIRE DEPARTMENT	DRAWN BY	17MAY22
MODEL			GRANITE FALLS, MINNESOTA	CHECKED BY	23MAY22
REV	DATE	BY	CH	DWG NO.	SHEET NO.
-	-	-	-	37225AD	D
				1 OF 1	