

Pumper, PUC

BODY
Pumper, PUC, Aluminum
CHASSIS
Enforcer Chassis, PUC

CHASSIS
AXLE, FRONT, CUSTOM
18,000 Lb TAK-4 Axle

AXLE, REAR
27,000 Lb Meritor Axle

ENGINE
450 HP Cummins L9 Engine

TRANSMISSION
Allison 5th Gen, 3000 EVS P

BUMPER
19" Extended Painted Steel

CAB
7010 Enforcer Cab, PUC

BODY
WATER TANK
750 Gallon Poly Water Tank

COMPT, PUMPER, REAR
33.50" FF RollUp Rear Compt w/Tailboard, PUC

COMPT, PUMPER, LEFT SIDE
189" RollUp Full Height & Depth Front & Rear, PUC

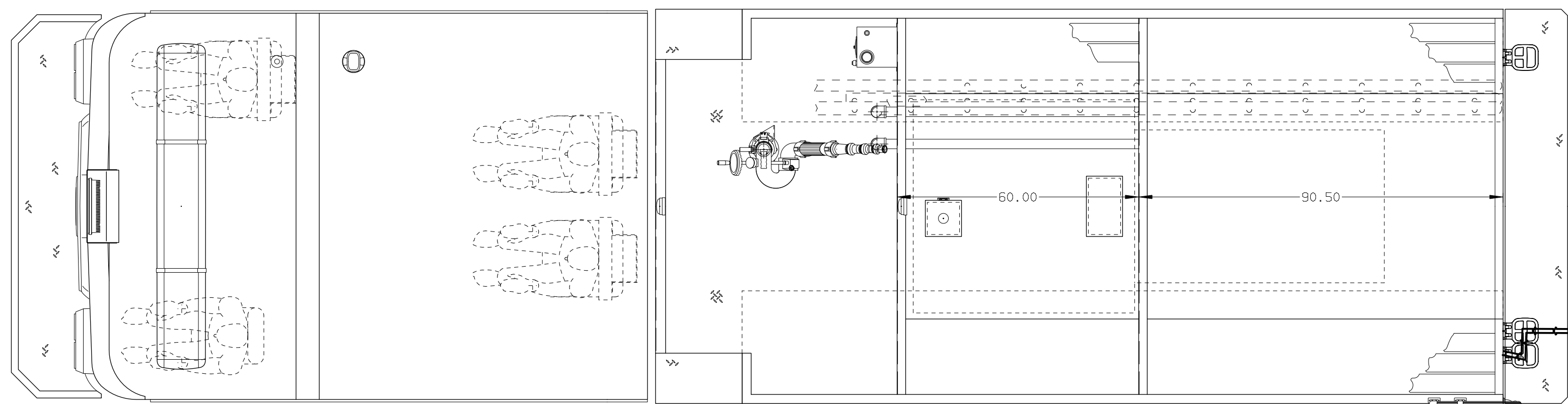
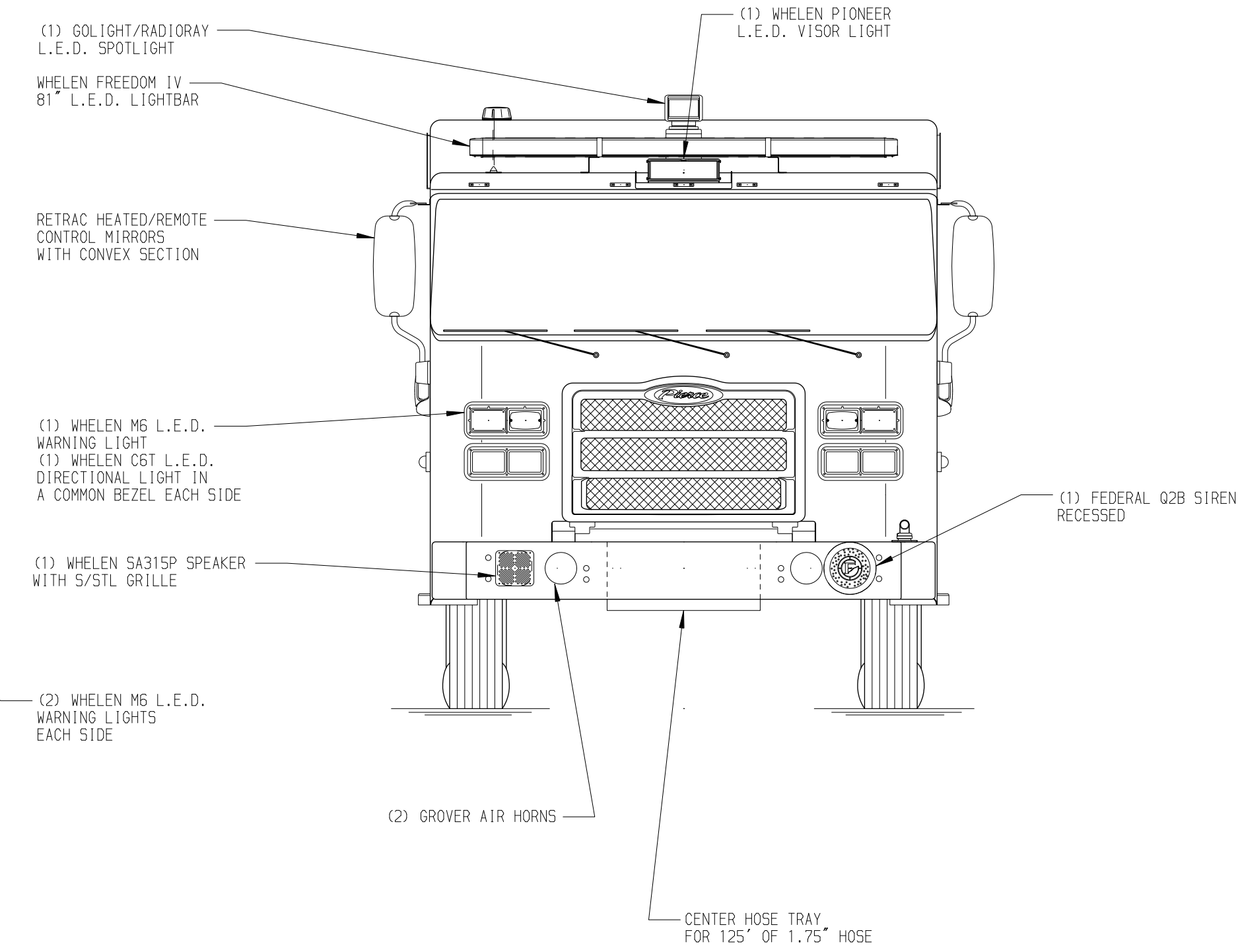
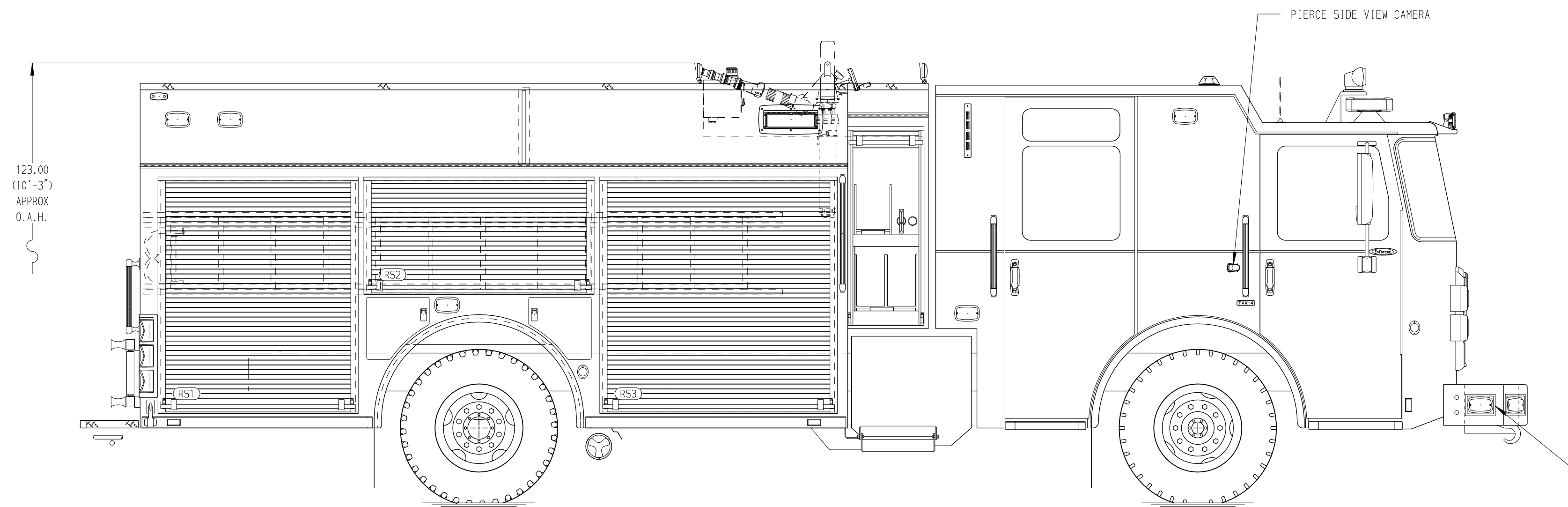
COMPT, PUMPER, RIGHT SIDE
189" RollUp Full Height & Depth Front & Rear, PUC

FIRE SUPPRESSION
PUMPHOUSE
Control Zone, PUC

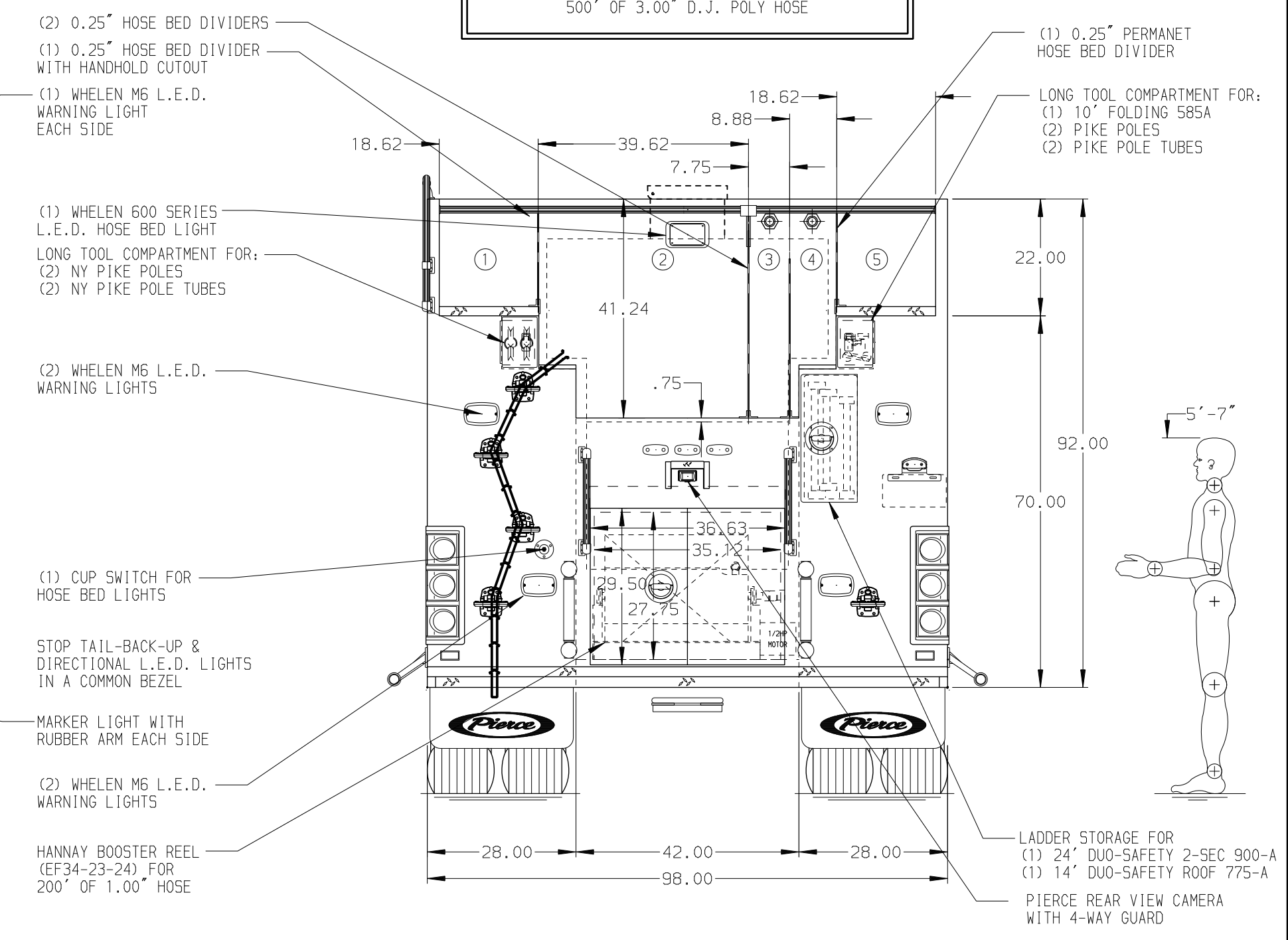
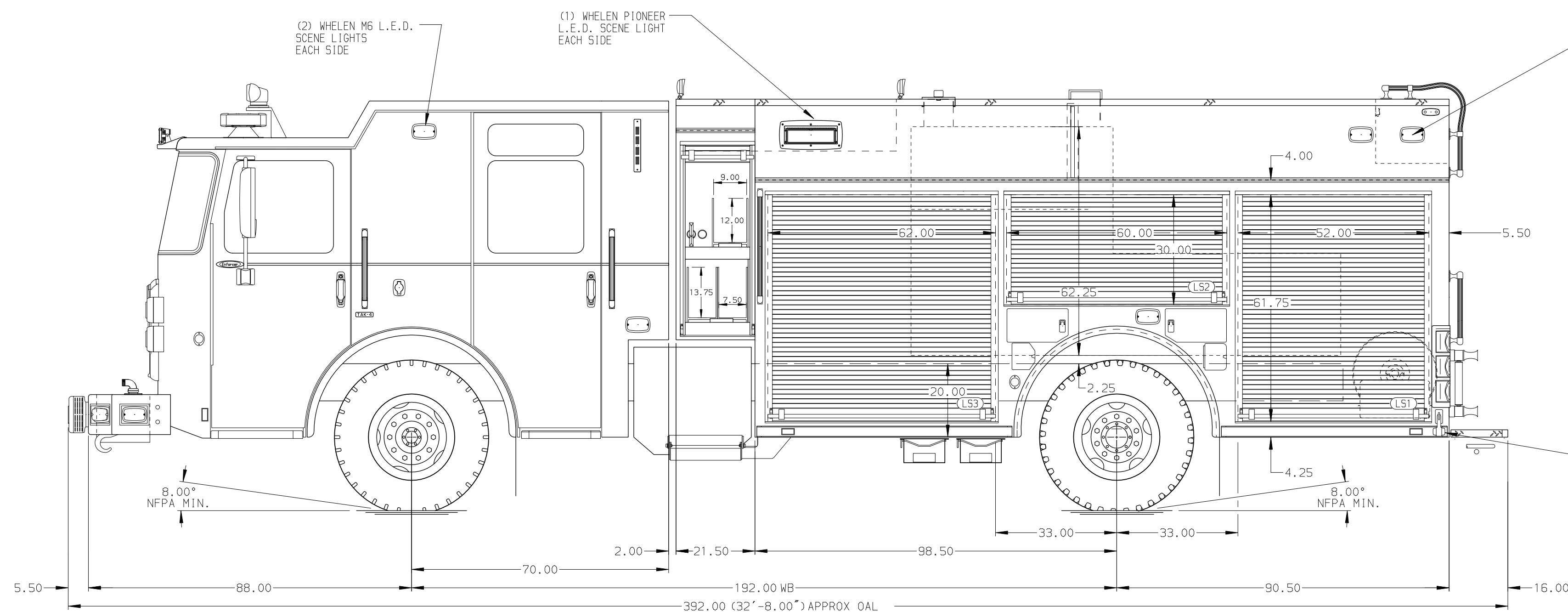
PUMP
1500 GPM Pierce PUC
CROSSLAYS, 1.50"
(2) 1.50", Poly Trays, 200'

CROSSLAYS, 2.50"
(1) 2.50", Poly Tray, 200'

GENERATOR
Generator Not Required
Foam System
Husky 12 Single Agent Foam System
Foam Cell
30 Gallon Foam Cell, Not Reduced Water, PUC



HOSEBED CAPACITY	
BED 1	OPEN
BED 2	1000' OF 5.00" D.J. POLY HOSE
BED 3	300' OF 1.88" D.J. POLY HOSE
BED 4	300' OF 1.88" D.J. POLY HOSE
BED 5	500' OF 3.00" D.J. POLY HOSE



NOTE
DIMENSIONS SHOWN ARE APPROXIMATE AND ARE SUBJECT TO MINOR DEVIATIONS AS MAY OCCUR OR BE NECESSARY IN CONSTRUCTION. MINOR DETAILS NOT SHOWN.

- ONE 1.50 OUTLET WITH 2.00 PIPING AND SWIVEL LOCATED ON TOP BUMPER LEFT SIDE
- SHORELINE RECEPTACLE WITH KUSSMAUL SUPER AUTO-EJECT LOCATED ON DRIVER SIDE OF THE CAB
- AIR INLET WITH DISCONNECT COUPLING IN THE DRIVER SIDE STEPWELL
- BATTERY CHARGER LOCATED PER ORDER
- BATTERY CHARGE INDICATOR LOCATED ON THE DRIVER SIDE SEAT RISER
- SIX ADJUSTABLE SHELVES LOCATED PER ORDER
- ONE FLOOR MOUNTED SLIDE-OUT TRAY LOCATED PER ORDER
- TWO SWING-OUT TOOLBOARDS LOCATED IN COMPARTMENTS PER SHOP ORDER
- AUTOMATIC TIRE CHAINS

CUSTOMER APPROVAL

APPROVED BY: _____
DATE: _____



JOB NO.	37228
SCALE	1:24
DATE	
DRAWN BY	MMF
CHECKED BY	COL
SHEET SIZE	SHEET NO.
D	1 OF 1

TITLE	Pierce PUC Pumper Approval Drawing
MAKE	
FOR	Springdale Fire Department
MODEL	
DWG NO.	37228AD
ENFORCER	