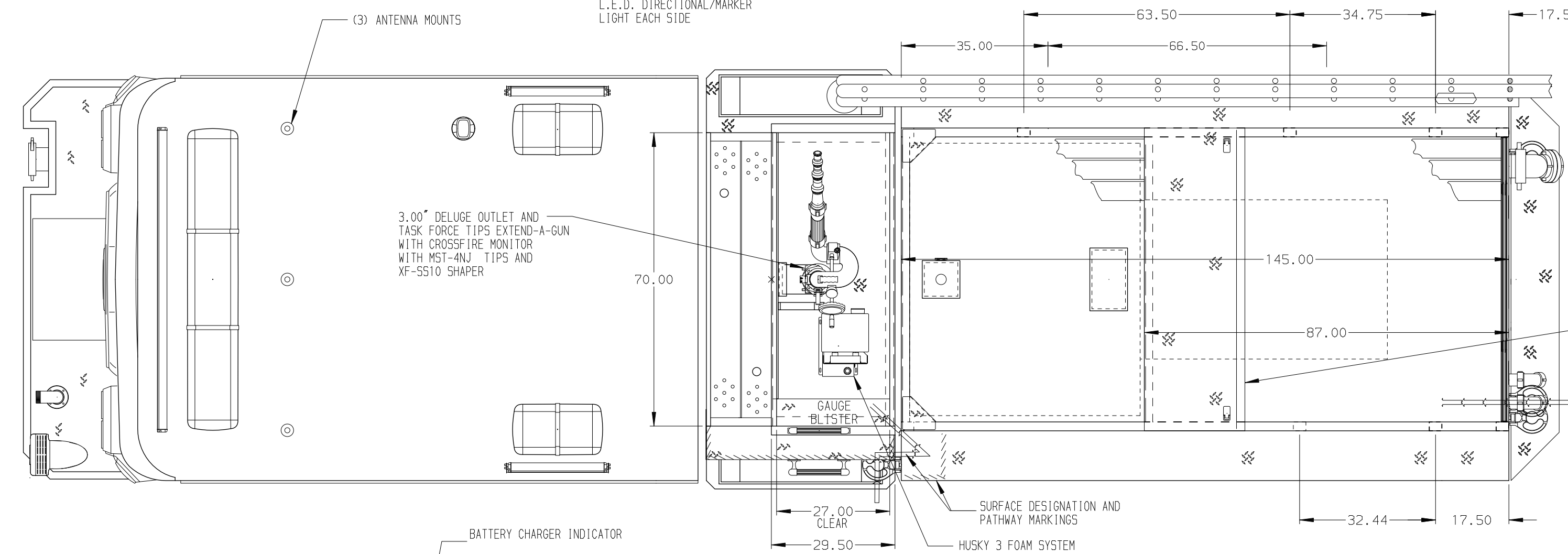
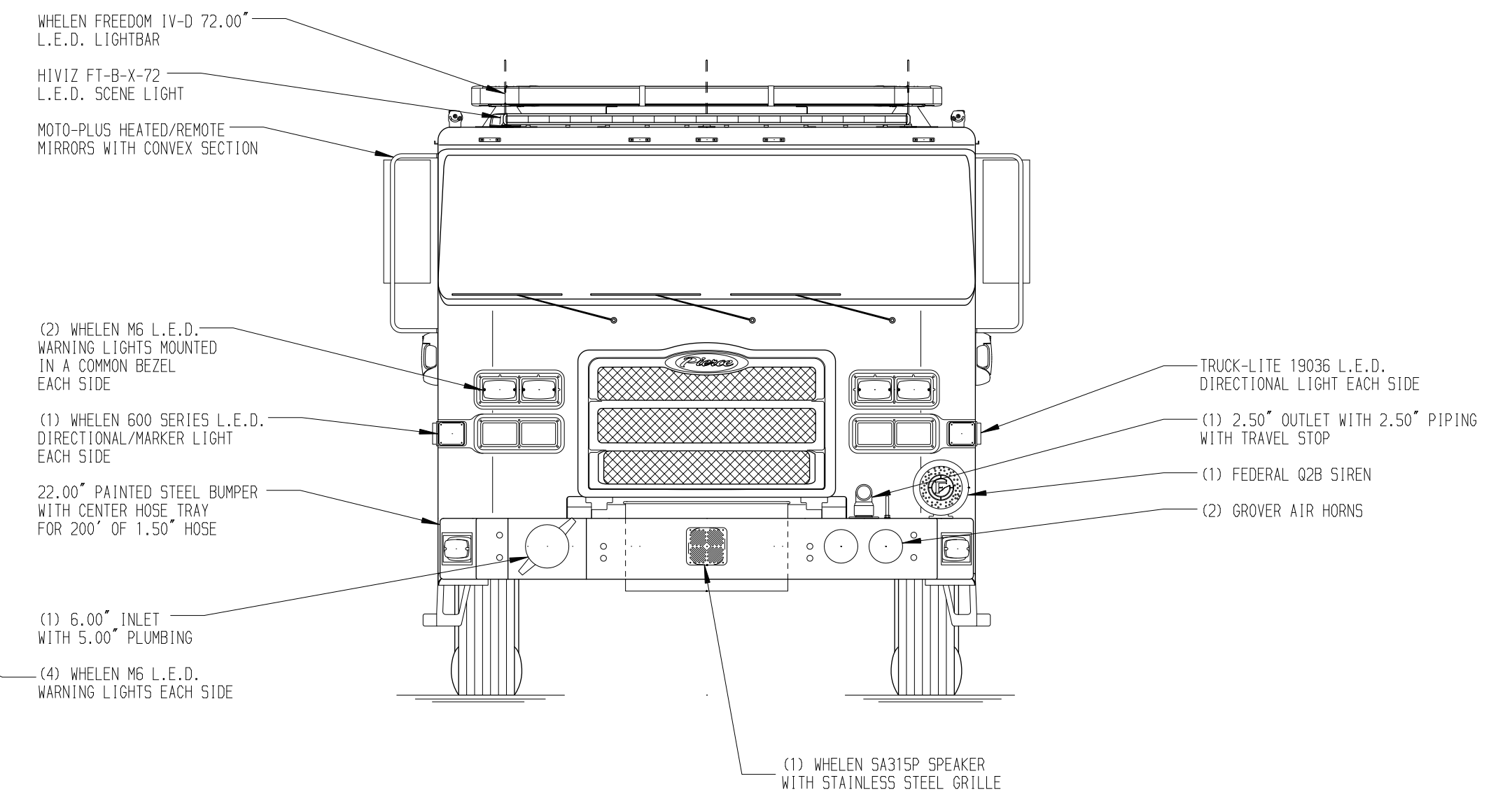
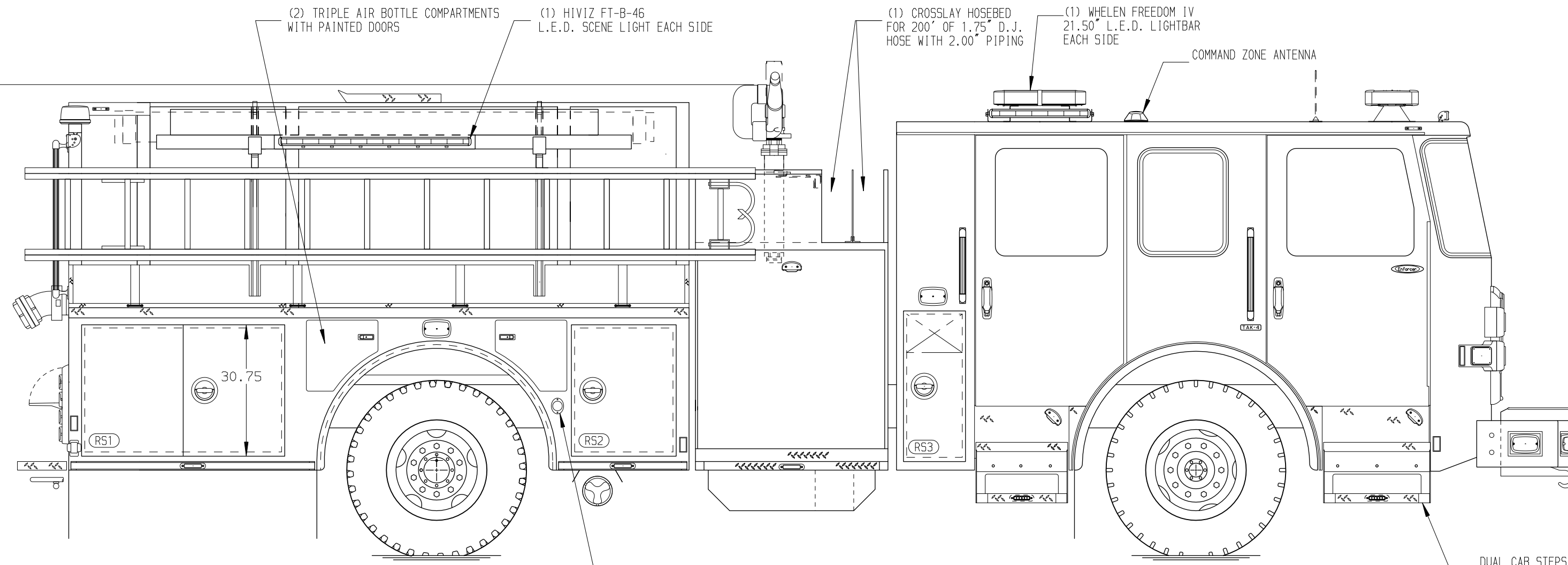
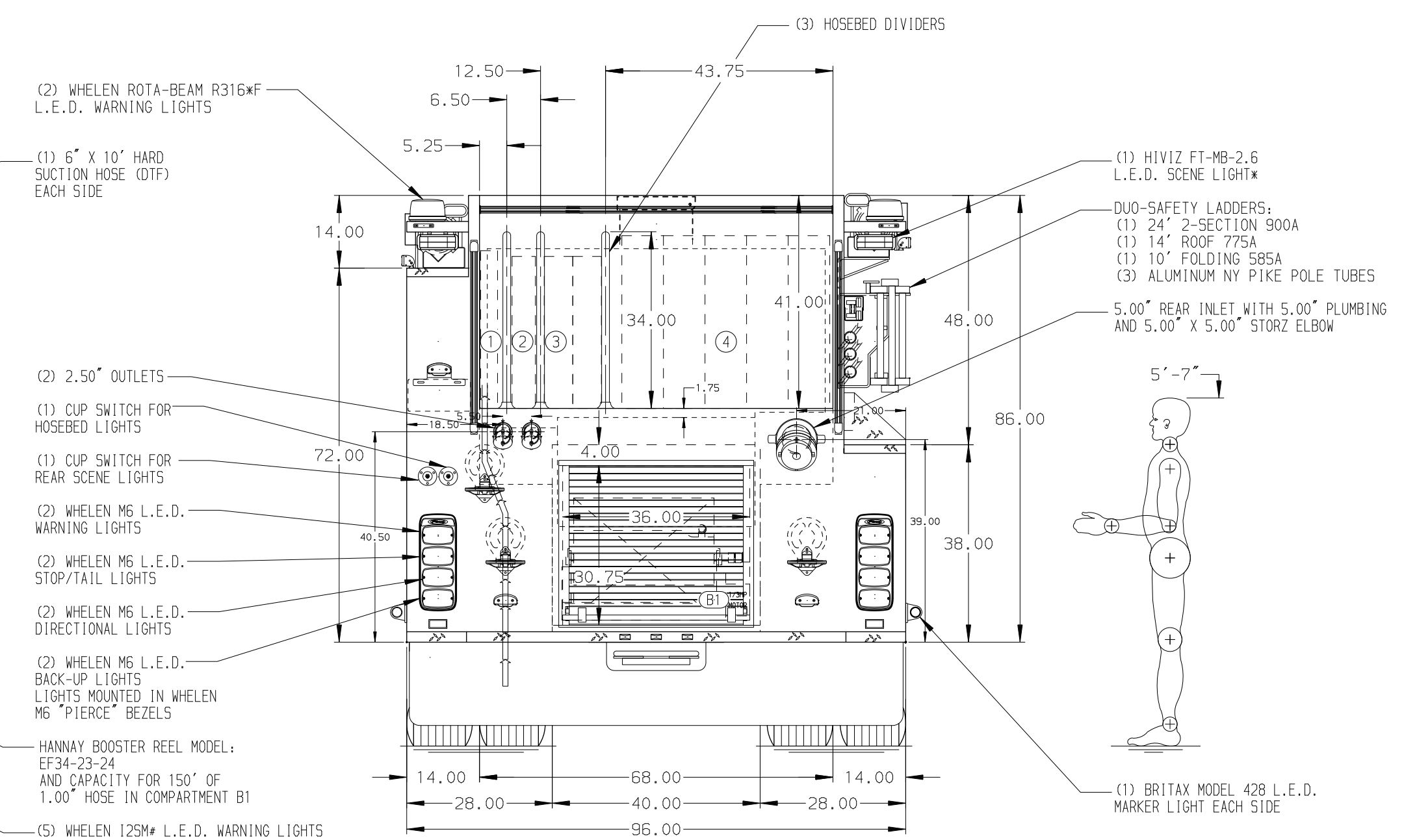
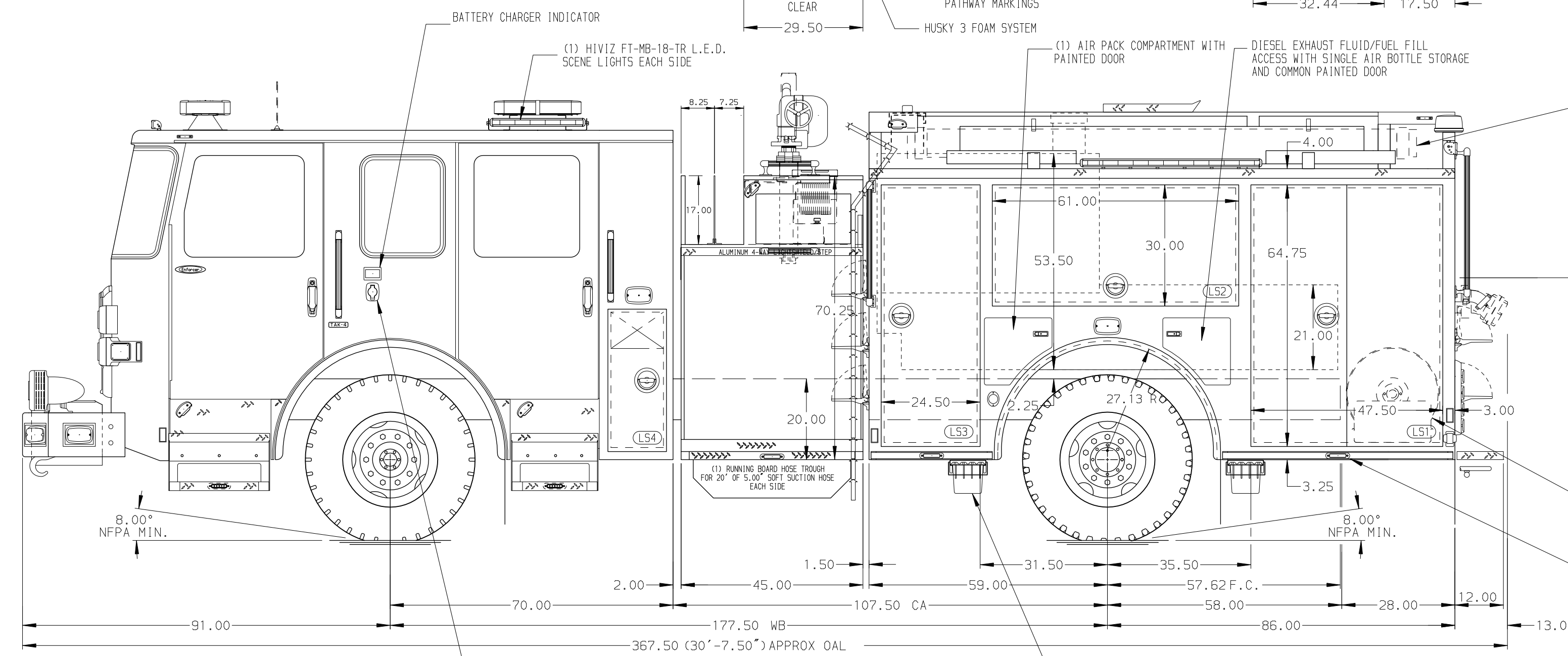


116.50
(9'-8.5")
APPROX
O.A.H.



- HOSEBED CAPACITIES
- ① 300' OF 1.75" D.J. POLY HOSE
 - ② 250' OF 2.50" D.J. POLY HOSE
 - ③ 500' OF 3.00" D.J. POLY HOSE
 - ④ 1500' OF 5.00" D.J. POLY HOSE



ALUMINUM BODY

NOTE
DIMENSIONS SHOWN ARE APPROXIMATE AND ARE SUBJECT TO MINOR DEVIATIONS AS MAY OCCUR OR BE NECESSARY IN CONSTRUCTION. MINOR DETAILS NOT SHOWN.

CUSTOMER APPROVAL

APPROVED BY: _____
DATE: _____



JOB NO. 37230

SCALE 1:24 DATE

| | | |
|--------------|---------|---|
| CHASSIS DATA | TITLE | 2000-D-750P, 730 GAL OF WATER W/ 20 GAL FOAM CELL |
| MAKE | FOR | 145" BODY, LADDER BRACKETS, (2) CROSSLAYS |
| PIERCE | | LEVITTOWN FIRE COMPANY #1 |
| MODEL | | LEVITTOWN, PENNSYLVANIA |
| ENFORCER | DWG NO. | 37230AD |

DRAWN BY JUS 16FEB22

CHECKED BY CDU 16FEB22

SHEET SIZE D SHEET NO. 1 OF 1