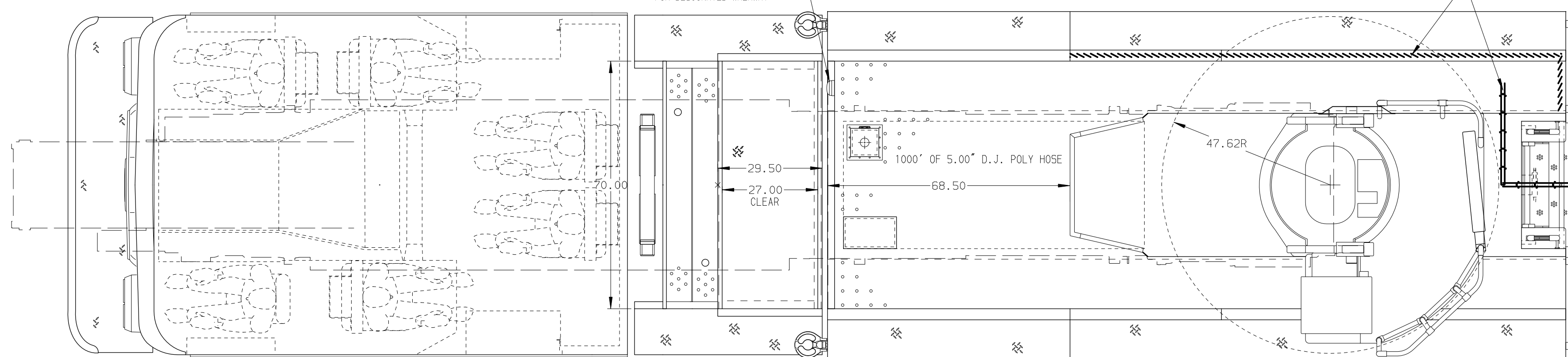


(3) SPECIAL DOUBLE AIR BOTTLE COMPARTMENTS 14.00" W x 7.50" H x 26.00" D

(1) FRP L.E.D. FLOODLIGHT FOR DESIGNATED WALKWAY

SURFACE DESIGNATION AND PATHWAY MARKINGS



29.50

27.00 CLEAR

1000' OF 5.00" D.J. POLY HOSE

47.62R

(2) WHELEN FREEDOM IV 21.50" L.E.D. LIGHTBARS

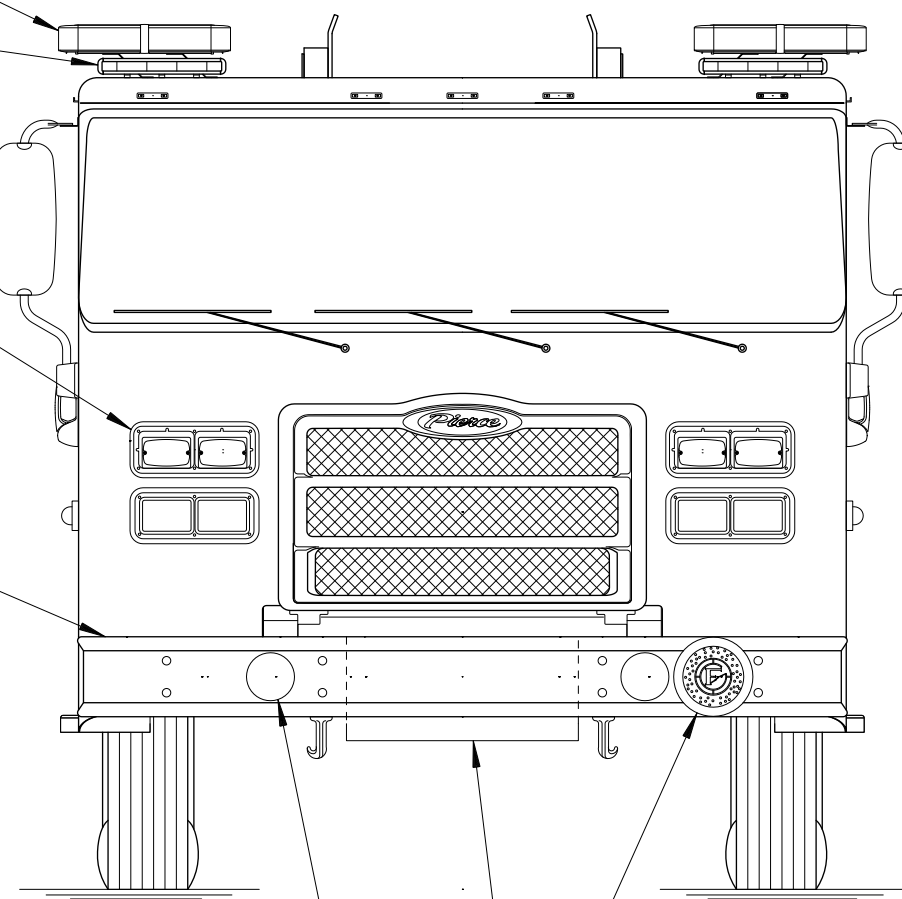
(2) H1VIZ FT-MB-12 L.E.D. SCENE LIGHTS

RETRACT HEATED/REMOTE CONTROL MIRRORS WITH CONVEX SECTION

(1) WHELEN M6 L.E.D. DIRECTIONAL LIGHT AND (1) WHELEN M6 L.E.D. WARNING LIGHT IN A COMMON BEZEL EACH SIDE

MOUNTING PROVISIONS FOR FRONT INLET

(3) WHELEN M6 L.E.D. WARNING LIGHTS EACH SIDE

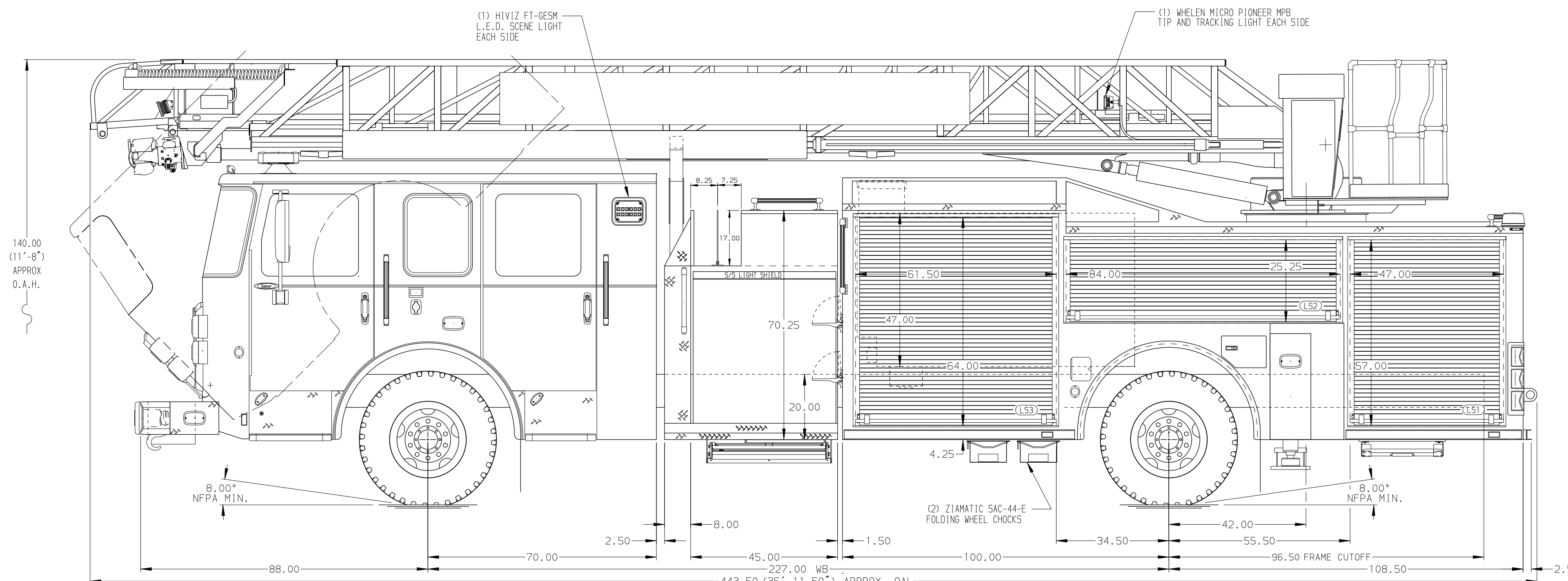


(2) GROVER AIR HORNS

(1) FEDERAL BP200-0 SPEAKER

CENTER HOSE TRAY FOR 125' OF 1.75" HOSE

BODY	WATER TANK
75' HAL Aluminum Body	500 Gallon Poly Water Tank
COMPT, LEFT SIDE FRONT	Foam System
Full Height RollUp Forward	Plumbing for Future Husky Foam System
COMPT, LEFT SIDE REAR	Foam Cell
Full Height RollUp Rearward	20 Gallon Foam Cell, Non-Reduced Water
COMPT, RIGHT SIDE FRONT	
Full Height RollUp Forward	
COMPT, RIGHT SIDE REAR	
Full Height RollUp Rearward	



(1) H1VIZ FT-G5M L.E.D. SCENE LIGHT EACH SIDE

(1) WHELEN MICRO PIONEER MP8 TIP AND TRACKING LIGHT EACH SIDE

140.00 (11'-8") APPROX O.A.H.

8.00" NFPA MIN.

(2) ZIAMATIC SAC-44-E FOLDING WHEEL CHOCKS

8.00" NFPA MIN.

(2) WHELEN L31HRFN L.E.D. WARNING LIGHTS

(2) H1VIZ FT-G5MJR L.E.D. SCENE LIGHTS

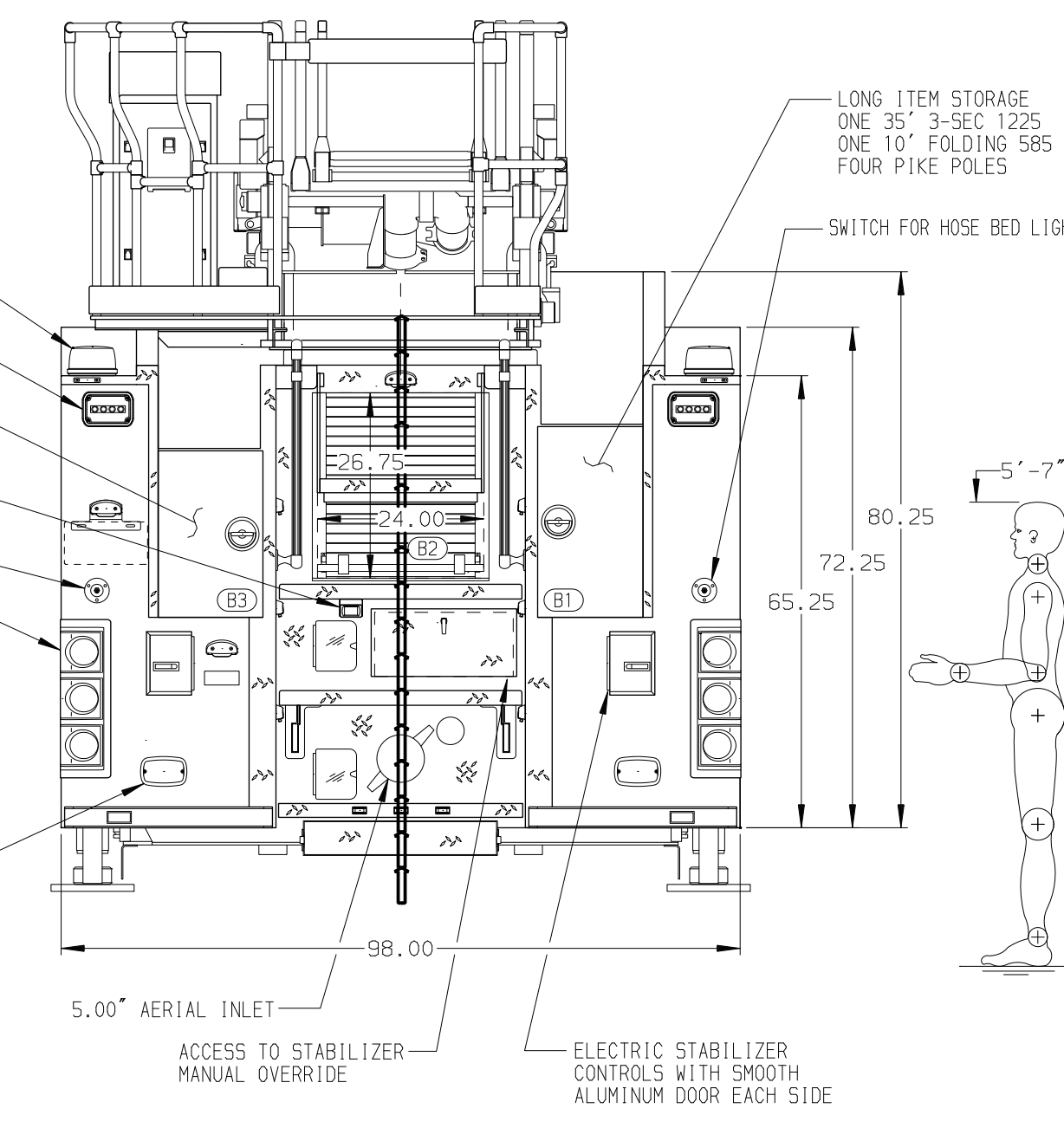
LONG ITEM STORAGE ONE 24' 2-SEC 900 TWO 16' ROOF B75 TWO PIKE POLES

PIERCE BACK UP CAMERA

SWITCH FOR REAR SCENE LIGHTS

(2) WRAP AROUND L.E.D. LIGHT SETS WITH STOP/TAIL, BACK UP AND DIRECTIONAL LIGHTS IN A COMMON BEZEL

(2) WHELEN M6 L.E.D. WARNING LIGHTS



LONG ITEM STORAGE ONE 35' 3-SEC 1225 ONE 10' FOLDING 585 FOUR PIKE POLES

SWITCH FOR HOSE BED LIGHTS

5'-7"

80.25

72.25

65.25

5.00" AERIAL INLET

ACCESS TO STABILIZER MANUAL OVERRIDE

ELECTRIC STABILIZER CONTROLS WITH SMOOTH ALUMINUM DOOR EACH SIDE

CHASSIS	CAB	AXLE, FRONT, CUSTOM	TRANSMISSION	PUMPHOUSE	CROSSLAYS, 1.50"	SPEEDLAYS	CUSTOMER APPROVAL	Pierce MANUFACTURING INC.		JOB NO.
Saber FR Chassis	7000 Saber Cab	20,000 Lb Dana Axle	Allison 5th Gen, 3000 EV5 P	45" Control Zone Side Mount	(2) 1.50" Standard Capacity	Speedlays Not Required	APPROVED BY: _____			37236
ENGINE	BUMPER	AXLE, REAR		PUMP	CROSSLAYS, 2.50"	GENERATOR	DATE: _____			TITLE
450 HP Cummins L9 Engine	19" Extended Stainless Steel	33,500 Lb Meritor Axle		1500 GPM Waterous CSU	2.50" Crosslay Not Required	Generator Not Required		FOR	23SEP21	
NOTE DIMENSIONS SHOWN ARE APPROXIMATE AND ARE SUBJECT TO MINOR DEVIATIONS AS MAY OCCUR OR BE NECESSARY IN CONSTRUCTION. MINOR DETAILS NOT SHOWN.								PIERCE	23SEP21	
								MODEL	SHEET NO.	
								DWG NO.	37236AD	
								REV	1 OF 1	