

**RIGHT SIDE COMPARTMENTS CONTAIN THE FOLLOWING:**

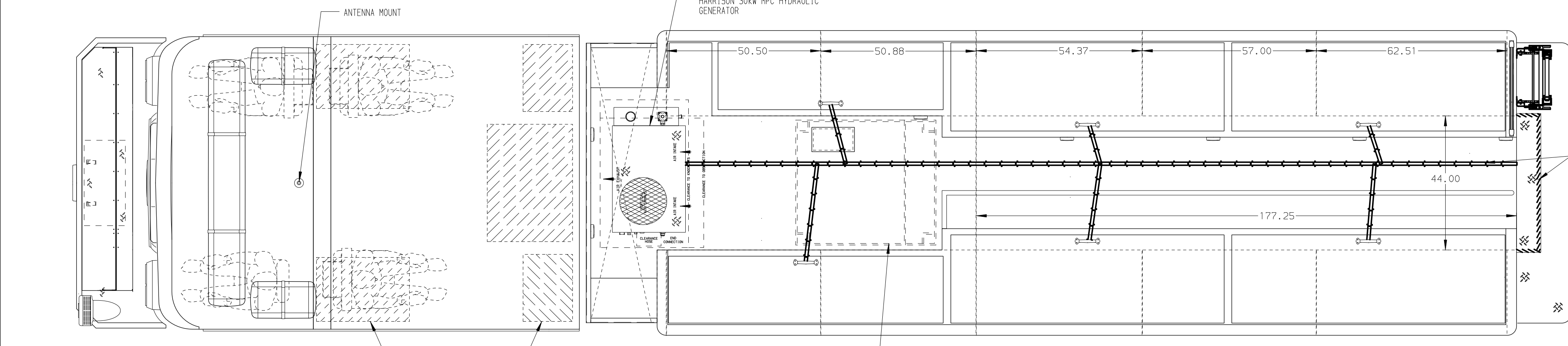
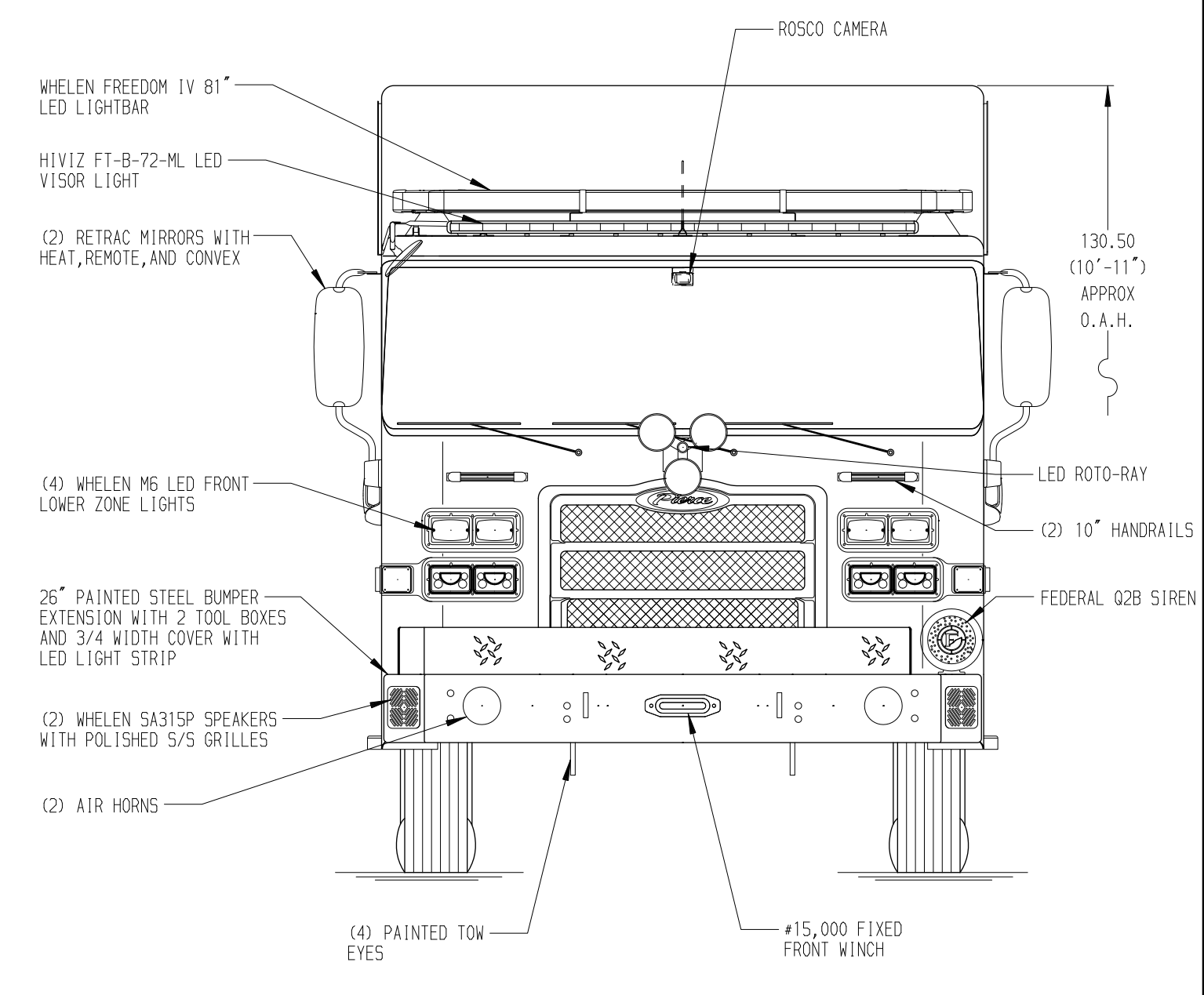
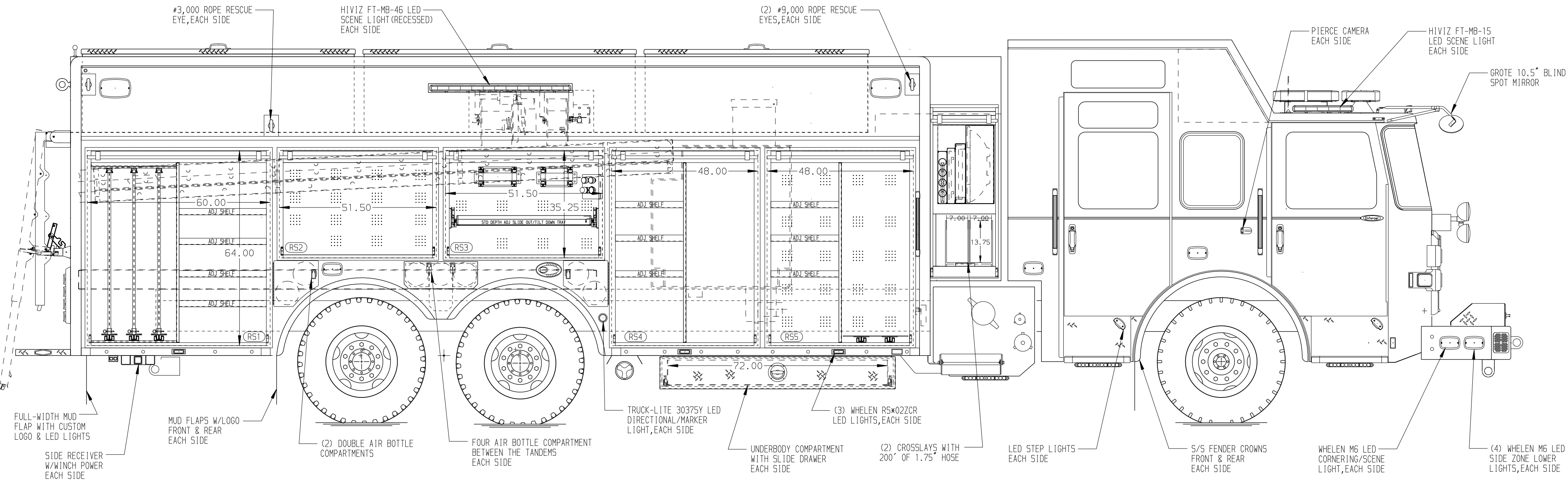
COMPARTMENT RS1 CONTAINS:  
 - (1) VERTICAL COMPARTMENT DIVIDER  
 - (4) STD DEPTH ADJ SHELVES  
 - (3) STD DEPTH ADJ SLIDE OUT TOOLBOARDS

COMPARTMENT RS2 CONTAINS:  
 - PEGBOARD ON REAR WALL OF COMPARTMENT

COMPARTMENT RS3 CONTAINS:  
 - (1) STD DEPTH ADJ SLIDE OUT/TILT TRAY  
 - PEGBOARD ON REAR WALL OF COMPARTMENT  
 - (1) ELECTRIC CORD REEL WITH 200' OF 10/3 YELLOW CORD  
 - (1) LOW PRESSURE AIR REEL W/150' OF HOSE  
 - REGULATORS AND GAUGES FOR AIR REEL

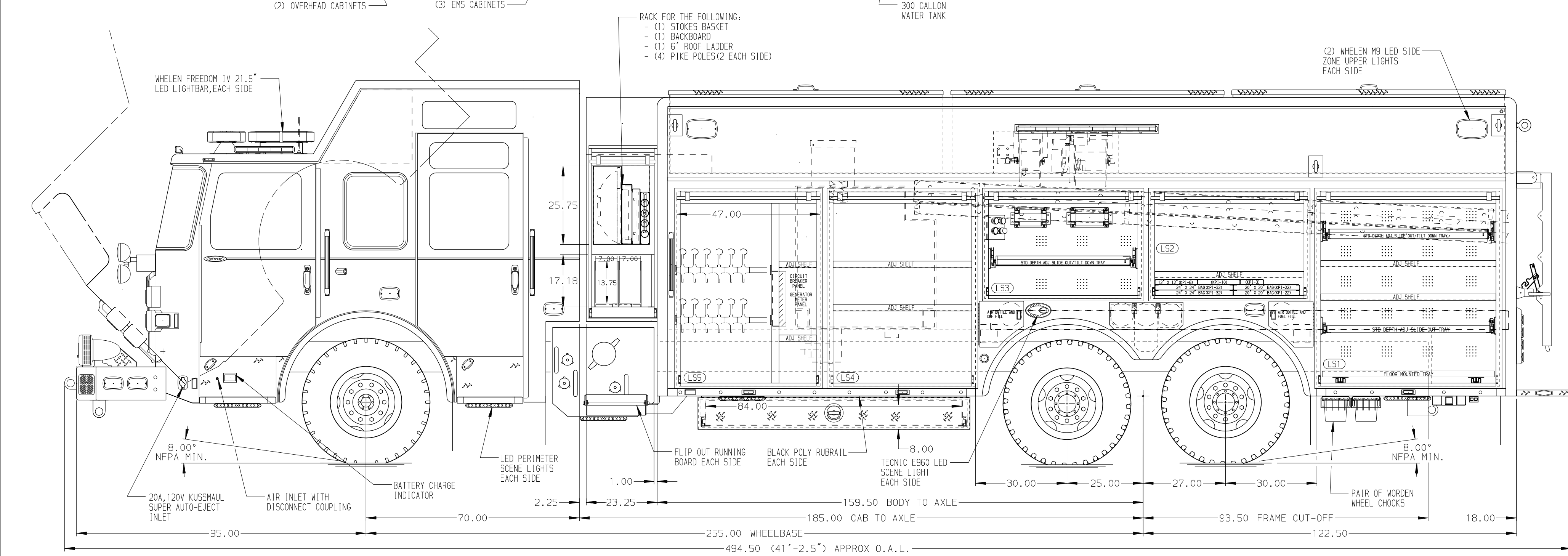
COMPARTMENT RS4 CONTAINS:  
 - (1) VERTICAL COMPARTMENT DIVIDER  
 - (3) STD DEPTH ADJ SHELVES

COMPARTMENT RS5 CONTAINS:  
 - (1) CAB LIFT CONTROLLER  
 - (1) VERTICAL COMPARTMENT DIVIDER  
 - (3) STD DEPTH ADJ SHELVES  
 - (1) FLAT TOP FLOOR MOUNTED TRAY  
 - PEGBOARD ON REAR WALL OF COMPARTMENT



**REAR COMPARTMENT CONTAINS THE FOLLOWING:**

COMPARTMENT B1 CONTAINS:  
 - (1) 110" DP ADJ SLIDE OUT TRAY  
 - (1) FLOOR MOUNTED TRAY  
 - (1) RACK FOR THE FOLLOWING:  
 - (1) 28' 2-SECTION LADDER  
 - (1) 16' ROOF LADDER  
 - (1) 10' FOLDING LADDER  
 - (4) PIKE POLES  
 - (1) HORIZONTAL FLOOR EXTENSION  
 - (1) RACK FOR 7-4'x4'x14' SHORING LUMBER



**LEFT SIDE COMPARTMENTS CONTAIN THE FOLLOWING:**

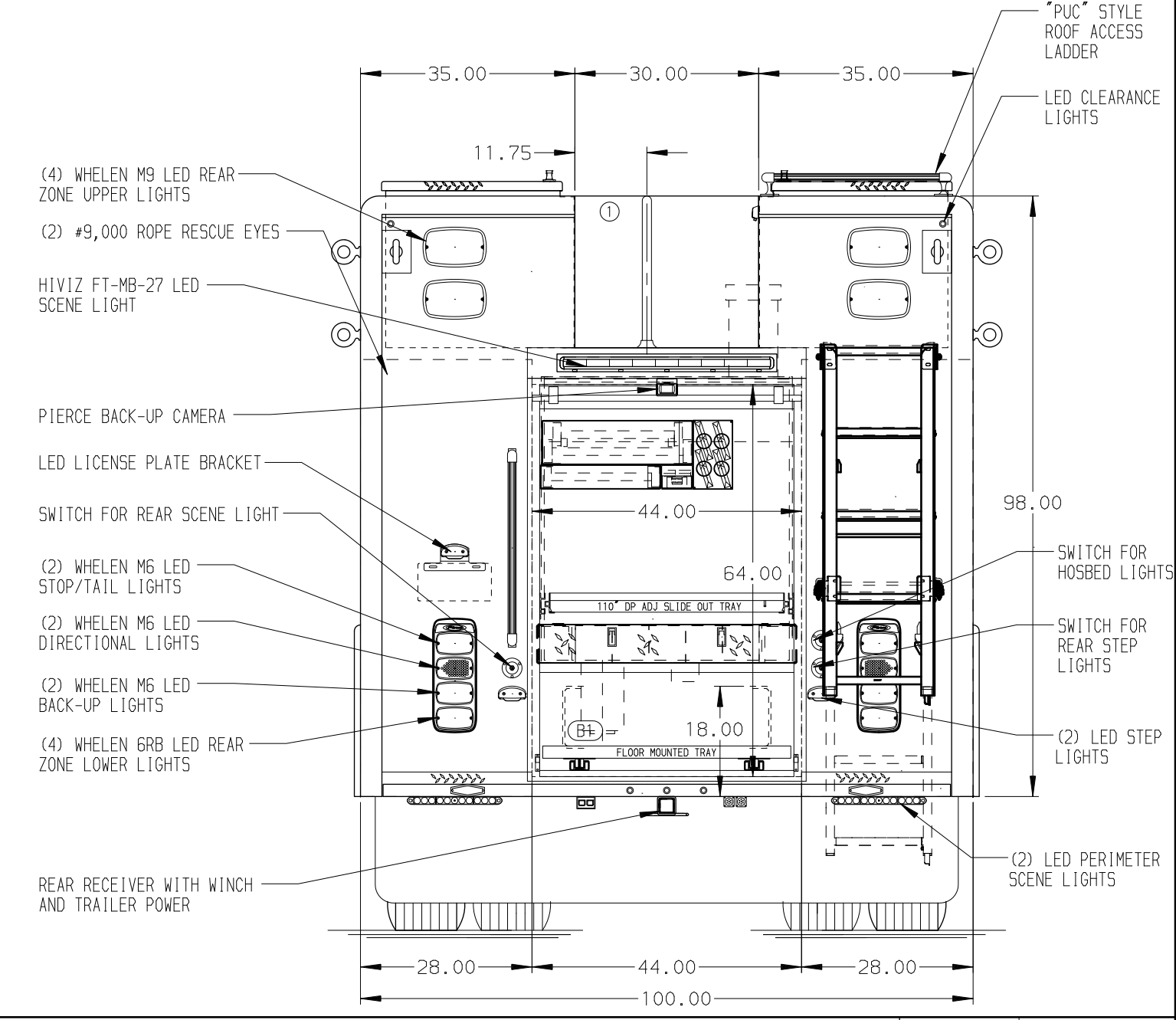
COMPARTMENT LS1 CONTAINS:  
 - (2) STD DEPTH ADJ SHELVES  
 - (1) STD DEPTH ADJ SLIDE OUT TRAY  
 - (1) STD DEPTH ADJ SLIDE OUT/TILT TRAY  
 - (1) FLOOR MOUNTED TRAY  
 - PEGBOARD ON REAR WALL OF COMPARTMENT

COMPARTMENT LS2 CONTAINS:  
 - (1) RACK FOR 7 AIR BAGS  
 - (1) STD DEPTH ADJ SHELF

COMPARTMENT LS3 CONTAINS:  
 - (1) STD DEPTH ADJ SLIDE OUT/TILT TRAY  
 - PEGBOARD ON REAR WALL OF COMPARTMENT  
 - (1) ELECTRIC CORD REEL WITH 200' OF 10/3 YELLOW CORD  
 - (1) LOW PRESSURE AIR REEL W/150' OF HOSE  
 - REGULATORS AND GAUGES FOR AIR REEL

COMPARTMENT LS4 CONTAINS:  
 - (2) STD DEPTH ADJ SHELVES

COMPARTMENT LS5 CONTAINS:  
 - (2) STD DEPTH ADJ SHELVES  
 - (1) CIRCUIT BREAKER PANEL  
 - (1) GENERATOR METER PANEL



**NOTE**  
 DIMENSIONS SHOWN ARE APPROXIMATE AND ARE SUBJECT TO MINOR DEVIATIONS AS MAY OCCUR OR BE NECESSARY IN CONSTRUCTION. MINOR DETAILS NOT SHOWN.

- NOTES:**
- POLISHED S/S SCUFFPLATES ON CAB AND CREW CAB DOOR JAMBS
  - FLOOR IN CAB AND CREW CAB TO BE PADDED RUBBER
  - WARN #9,000 PORTABLE RECEIVER STYLE WINCH
  - PIERCE LED STRIP LIGHTS IN ALL BODY AND HATCH COMPARTMENTS
  - PIERCE 1500 GPM "PUC" STYLE WATER PUMP
  - KUSSMAUL PUMP PLUS 1200 CHARGER LOCATED BEHIND DRIVER'S SEAT
  - (2) 20A, 120V 6-PLACE RECEPTACLE STRIPS IN CENTER EMS CABINET HIGH ON REAR WALL

(SIDE ROLL AND FRONTAL IMPACT PROTECTION)

**CLEAR DOOR WIDTH KEY**

AMOR ROLL UP DOORS:	-2 1/4"
CORTITE ROLL UP DOORS:	-2 1/2"
PIERCE DOUBLE LAP DOORS:	-4 1/4"
PIERCE LIFT-UP LAP DOORS:	-1 1/2"

(EX: 60" F-F - 2 1/4" = 57 3/4" CLEAR)  
 (F-F) = FRAME TO FRAME

**CUSTOMER APPROVAL**

APPROVED BY: \_\_\_\_\_  
 DATE: \_\_\_\_\_

**Pierce MANUFACTURING INC.**

TITLE: HEAVY DUTY RESCUE NON-WALKIN/PUC WITH 300 GALLON WATER TANK  
 FOR: SALISBURY FIRE DEPARTMENT  
 BID #1731

JOB NO. 37243  
 SCALE 1:24  
 DATE  
 DRAWN BY DHE 12APR22  
 CHECKED BY AZU 14APR22  
 SHEET SIZE D SHEET NO. 1 OF 1

DWG NO. 37243AD