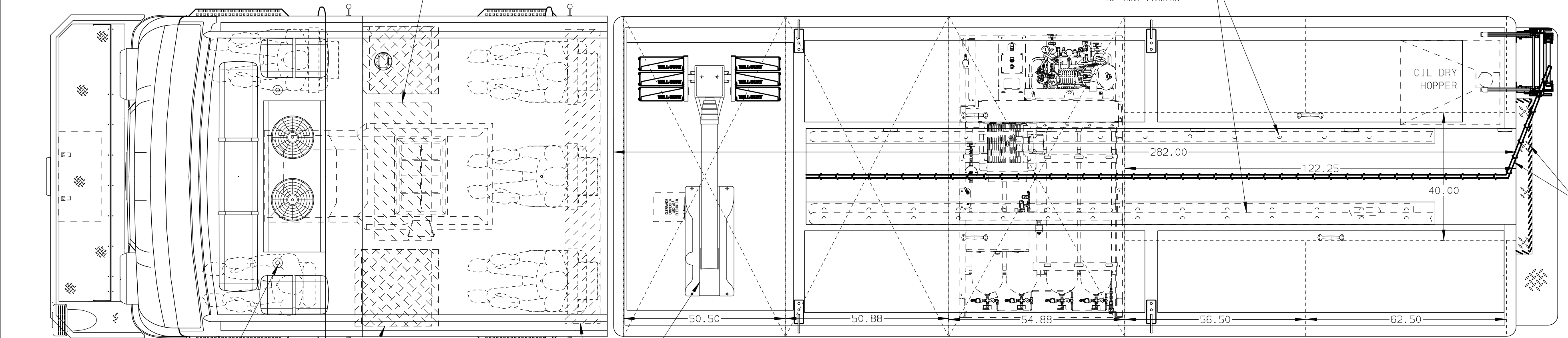
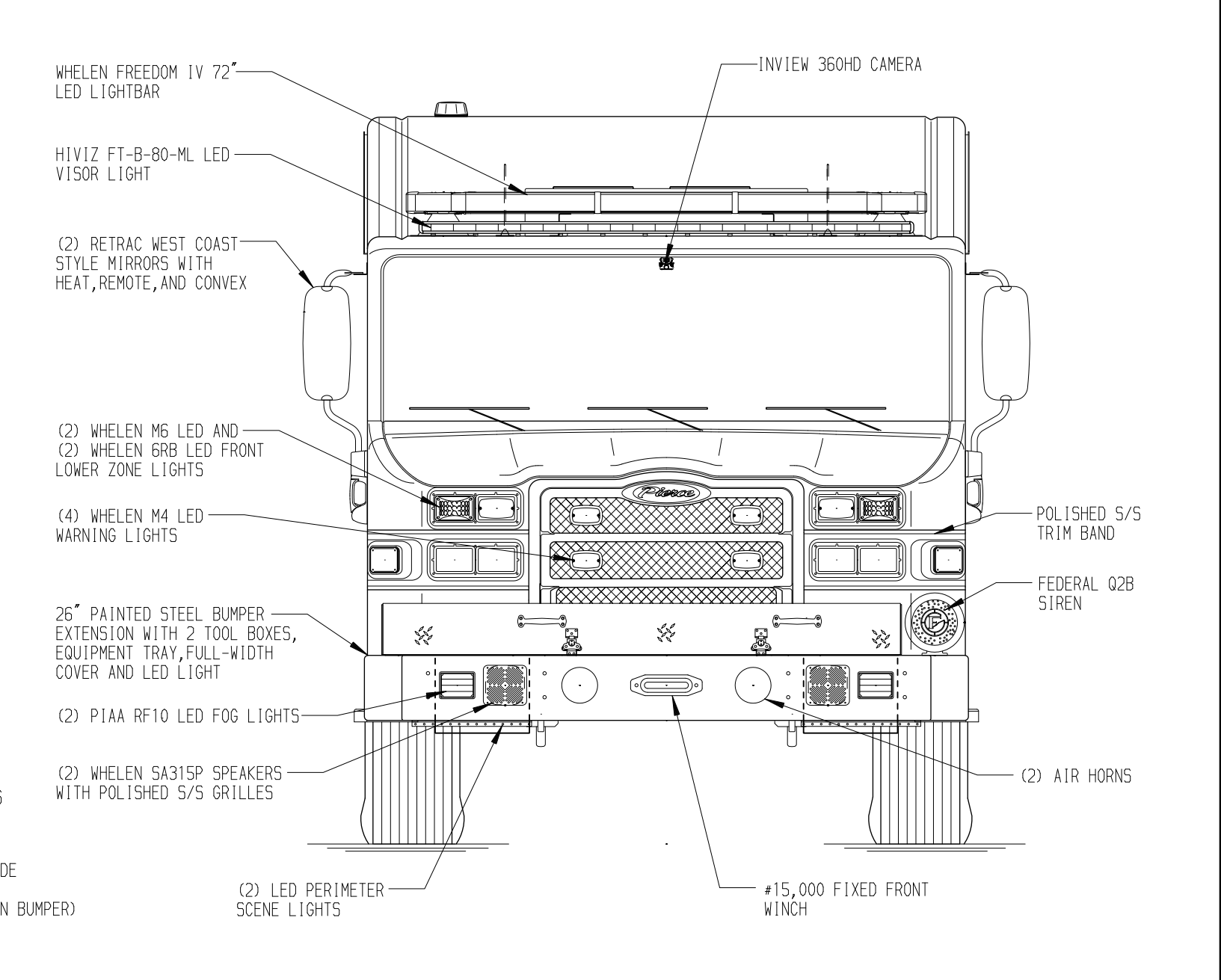
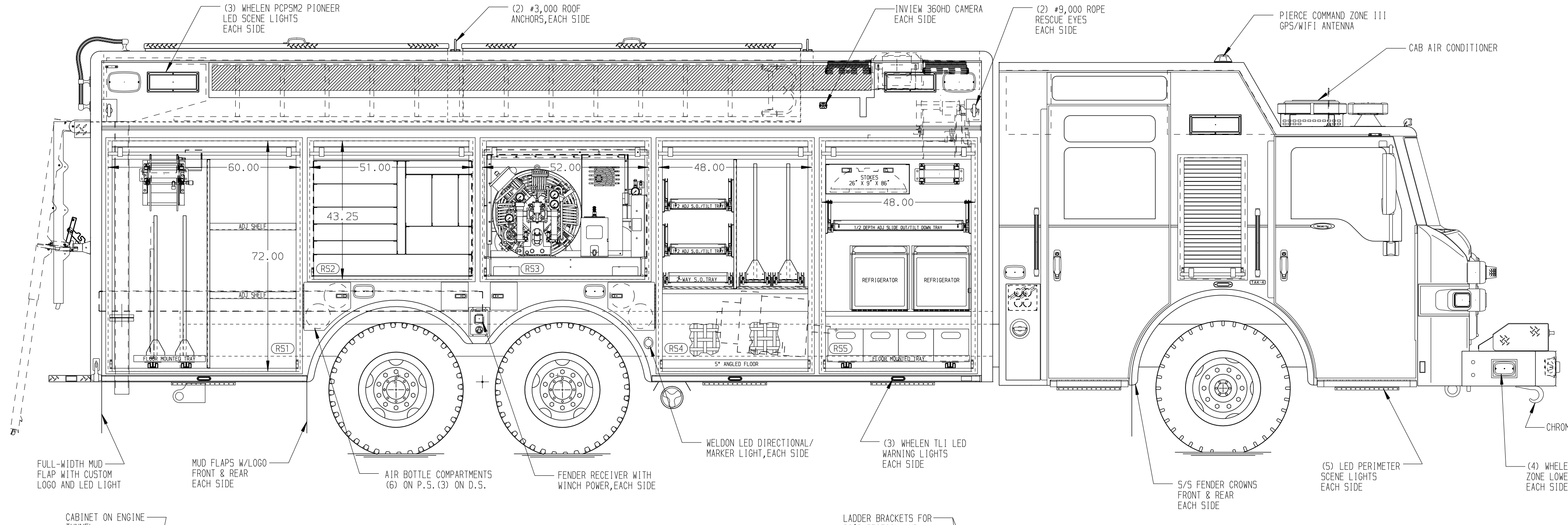
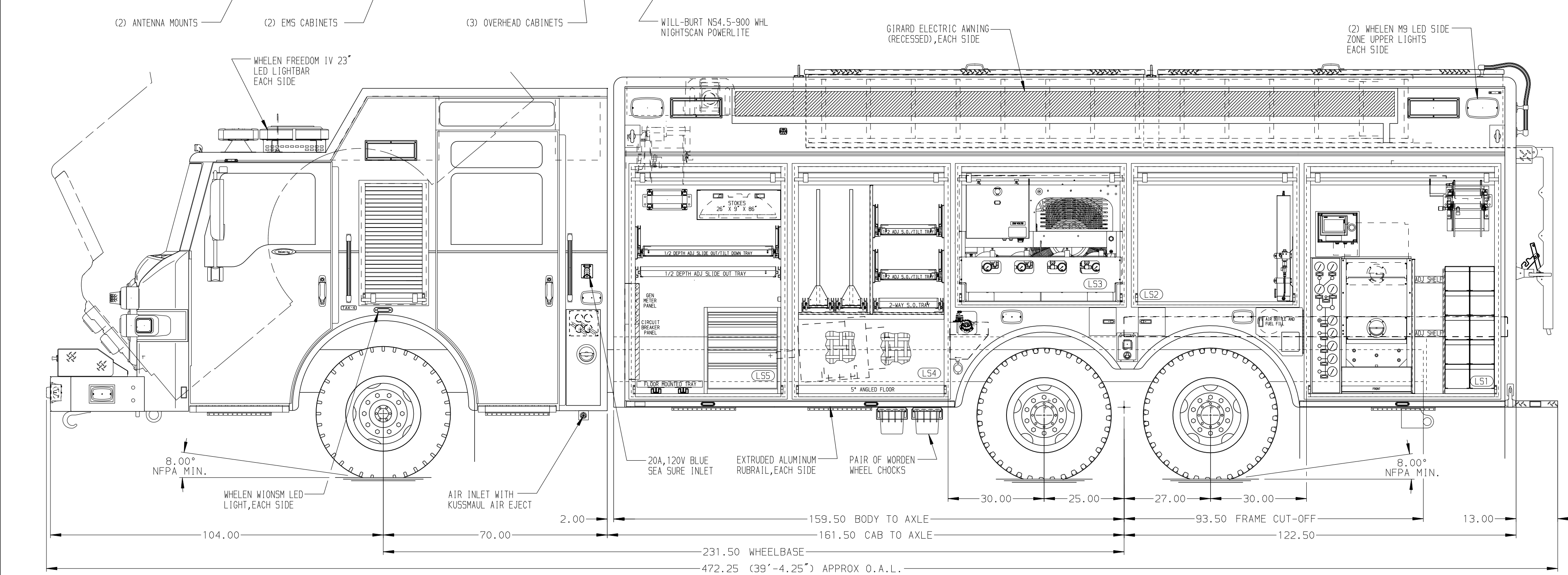


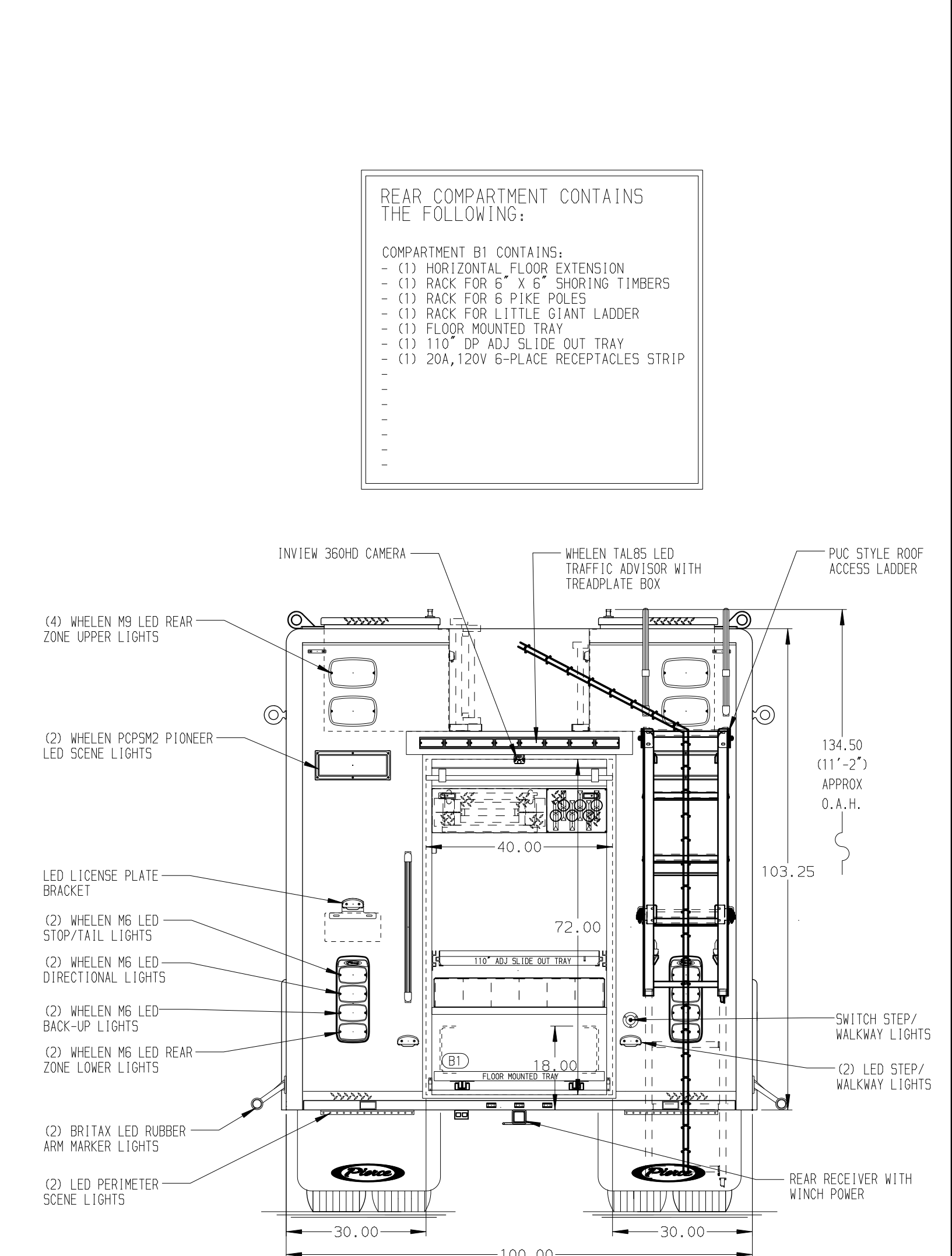
- RIGHT SIDE COMPARTMENTS CONTAIN THE FOLLOWING:**
- COMPARTMENT R51 CONTAINS:
 - (1) OIL DRY HOPPER
 - (1) VERTICAL COMPARTMENT DIVIDER
 - (2) STD DEPTH ADJ SHELVES
 - (1) FLOOR MOUNTED TRAY W/2 TOOLBOARDS
 - (1) LOW PRESSURE AIR REEL W/150' OF HOSE
 - (1) RACK FOR 24 PICKETS
 - COMPARTMENT R52 CONTAINS:
 - (1) 12 SLOT RACK
 - COMPARTMENT R53 CONTAINS:
 - (1) BAUER K18.1-20-E3 BREATHING AIR COMPRESSOR WITH 4 ASME BOTTLES
 - COMPARTMENT R54 CONTAINS:
 - 5 DEGREE COMPARTMENT FLOOR PITCH
 - (1) HORIZONTAL FLOOR EXTENSION
 - COMPARTMENT RETENTION NETTING
 - (1) VERTICAL COMPARTMENT DIVIDER
 - (2) 1/2 DEPTH ADJ SLIDE OUT/TILT TRAYS
 - (1) 2-WAY FLOOR MOUNTED SLIDE OUT TRAY
 - (2) 2-WAY ADJ SLIDE OUT TOOLBOARDS
 - COMPARTMENT R55 CONTAINS:
 - (4) POLY TOOL BOXES
 - (1) FLOOR MOUNTED TRAY
 - (1) HORIZONTAL FLOOR EXTENSION
 - (1) STOKES BASKET RACK
 - (1) 1/2 DEPTH ADJ SLIDE OUT/TILT TRAY
 - (2) NORCOLD REFRIGERATOR
 - (1) ELECTRIC CORD REEL WITH 200' OF 10/3 YELLOW CORD
 - (1) 20A, 120V 6-PLACE RECEPTACLES STRIP



- REAR COMPARTMENT CONTAINS THE FOLLOWING:**
- COMPARTMENT B1 CONTAINS:
 - (1) HORIZONTAL FLOOR EXTENSION
 - (1) RACK FOR 6" X 6" SHORING TIMBERS
 - (1) RACK FOR 6 PIKE POLES
 - (1) RACK FOR LITTLE GIANT LADDER
 - (1) FLOOR MOUNTED TRAY
 - (1) 110" DP ADJ SLIDE OUT TRAY
 - (1) 20A, 120V 6-PLACE RECEPTACLES STRIP



- LEFT SIDE COMPARTMENTS CONTAIN THE FOLLOWING:**
- COMPARTMENT L51 CONTAINS:
 - (1) RACK FOR 10 SCBA BOTTLES
 - (1) VERTICAL COMPARTMENT DIVIDER
 - (2) STD DEPTH ADJ SHELVES
 - (1) CASCADE SYSTEM CONTROL PANEL
 - (1) "SPACE SAVER" 4-BOTTLE FILL ENCLOSURE
 - (1) LOW PRESSURE AIR REEL W/150' OF HOSE
 - COMPARTMENT L52 CONTAINS:
 - BREATHING AIR PURIFIERS
 - COMPARTMENT L53 CONTAINS:
 - (1) BAUER K18.1-20-E3 BREATHING AIR COMPRESSOR WITH 4 ASME BOTTLES
 - COMPARTMENT L54 CONTAINS:
 - 5 DEGREE COMPARTMENT FLOOR PITCH
 - (1) HORIZONTAL FLOOR EXTENSION
 - COMPARTMENT RETENTION NETTING
 - (1) VERTICAL COMPARTMENT DIVIDER
 - (2) 1/2 DEPTH ADJ SLIDE OUT/TILT TRAYS
 - (1) 2-WAY FLOOR MOUNTED SLIDE OUT TRAY
 - (2) 2-WAY ADJ SLIDE OUT TOOLBOARDS
 - COMPARTMENT L55 CONTAINS:
 - (1) STOKES BASKET RACK
 - (1) 1/2 DEPTH ADJ SLIDE OUT TRAY
 - (1) 1/2 DEPTH ADJ SLIDE OUT/TILT TRAY
 - (1) FLOOR MOUNTED TRAY
 - (1) 5-DRAWER C-TECH CABINET
 - (1) CIRCUIT BREAKER PANEL
 - (1) GENERATOR METER PANEL
 - (1) NIGHT SCAN CONTROLLER
 - (1) ELECTRIC CORD REEL WITH 200' OF 10/3 YELLOW CORD
 - (2) 20A, 120V 6-PLACE RECEPTACLES STRIPS



NOTE
DIMENSIONS SHOWN ARE APPROXIMATE AND ARE SUBJECT TO MINOR DEVIATIONS AS MAY OCCUR OR BE NECESSARY IN CONSTRUCTION. MINOR DETAILS NOT SHOWN.

- NOTES:**
- WARN #10,000 PORTABLE WINCH
 - POLISHED 5/5 SCUFFPLATES ON CAB AND CREW CAB DOOR JAMBS
 - FLOOR IN CAB AND COMMAND CAB TO BE ALUMINUM TREADPLATE
 - 5/8" L-SHAPED GUARDS ON ALL BODY ROLL-UP DOORS
 - PIERCE DUAL LED LIGHT STRIPS LOCATED IN EACH BODY AND HATCH COMPARTMENT
 - FIRECOM 51000 INTERCOM SYSTEM
 - BLUE SEA P12 CHARGER LOCATED BEHIND THE DRIVER'S SEAT
 - PIERCE LED STRIP LIGHT LOCATED ON REAR OF ENGINE TUNNEL
 - DRY-BECK MATTING ON COMPARTMENT FLOORS IN R51, R54, R55, L53, L54, L55 AND ALL SHELVES AND TRAYS
 - LIMA 40KW THREE PHASE PTO DRIVEN GENERATOR LOCATED BETWEEN THE FRAME RAILS

CUSTOMER APPROVAL

APPROVED BY: _____
DATE: _____

REV	DATE	BY	CH

Pierce MANUFACTURING INC.

JOB NO. 37245
SCALE 1:24
DATE
DRAWN BY DHE 04APR22
CHECKED BY CDK 06APR22
SHEET SIZE SHEET NO. D 1 OF 1

TITLE HEAVY DUTY RESCUE NON-WALK-IN
FOR SOUTH HILL VOLUNTEER FIRE DEPARTMENT
PID #412
RANDY SMITH
DWG NO. 37245AD

CLEAR DOOR WIDTH KEY

DOOR TYPE	WIDTH
AMDR ROLL UP DOORS	-2 1/4"
GORTITE ROLL UP DOORS	-2 1/2"
PIERCE DOUBLE LIP DOORS	-4 1/4"
PIERCE LIFT-UP LIP DOORS	-1 1/2"

(EX: 60" F-F - 2 1/4" = 57 3/4" CLEAR)
(F-F) = FRAME TO FRAME