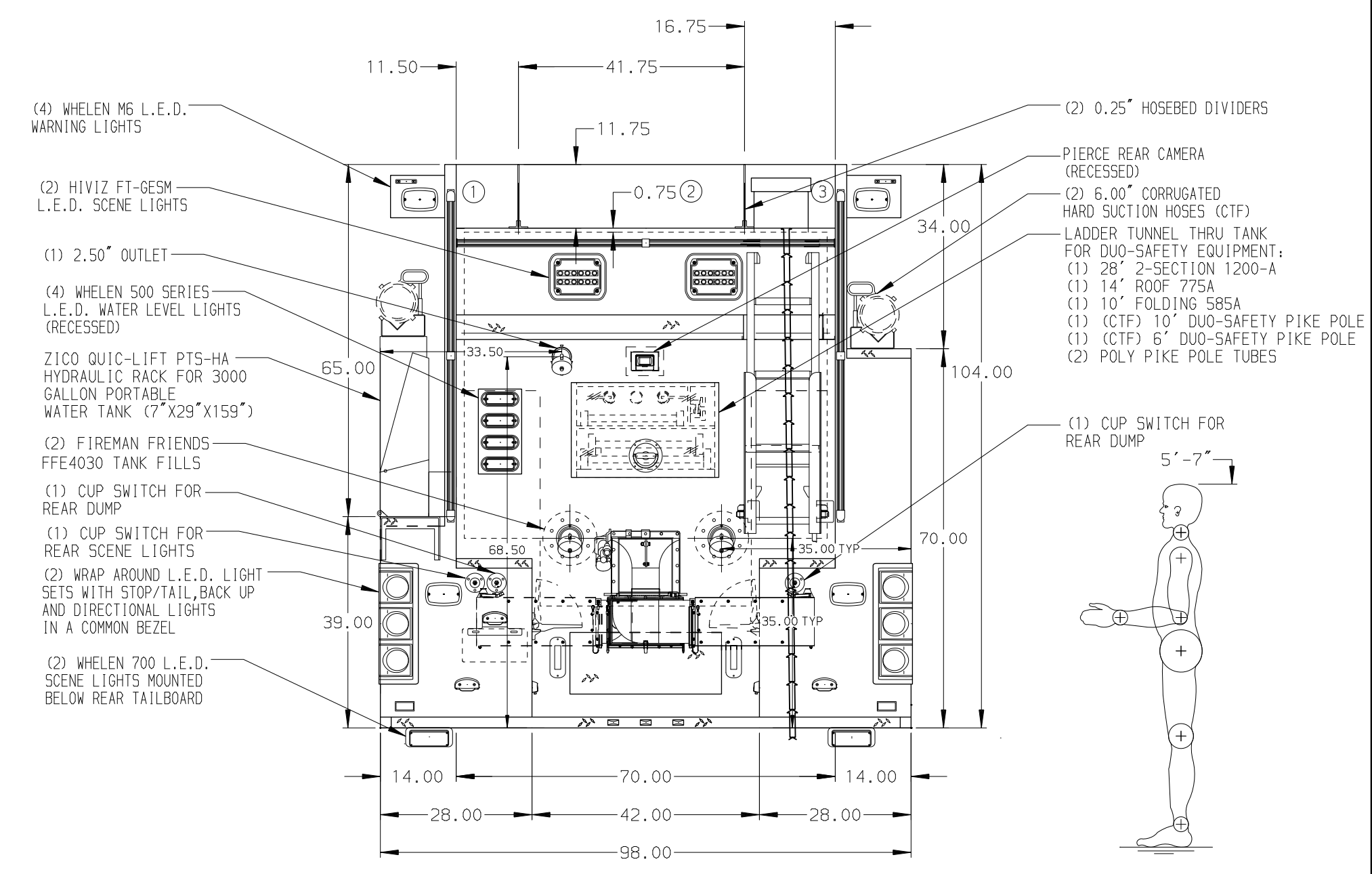
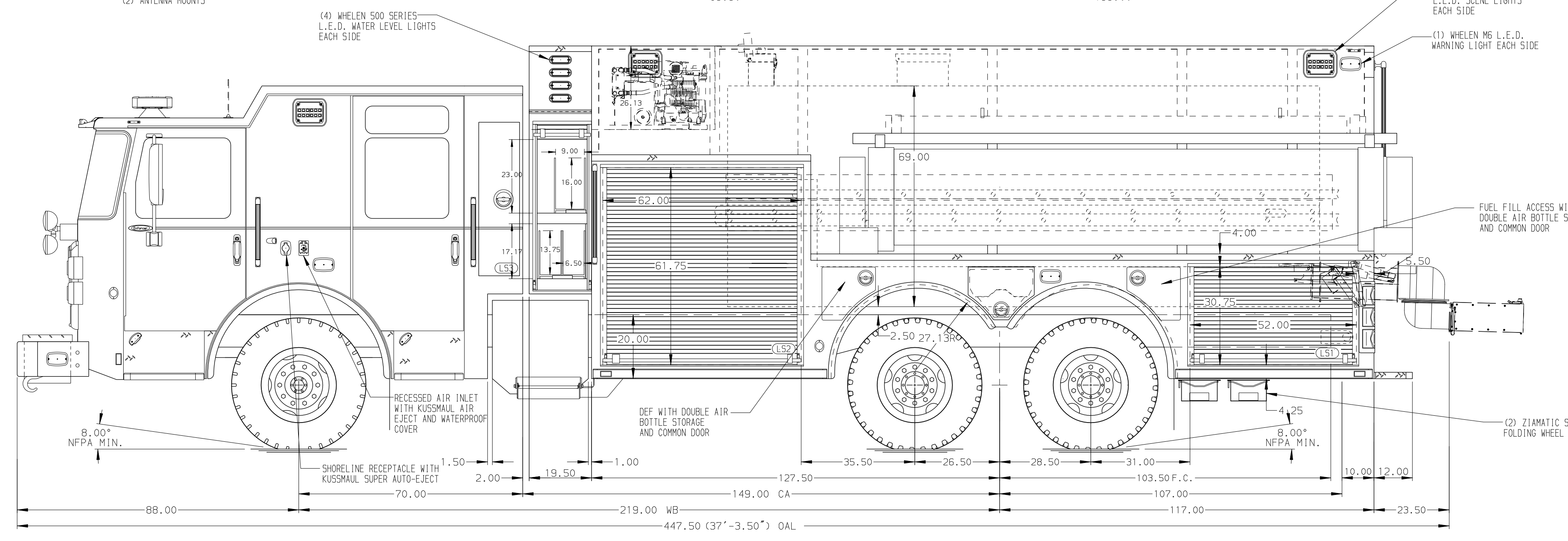


HOSEBED CAPACITIES
 ① 400' OF 3.00" D.J. POLY HOSE
 ② 1000' OF 5.00" D.J. POLY HOSE
 ③ 400' OF 3.00" D.J. POLY HOSE



ALUMINUM BODY

NOTE
 DIMENSIONS SHOWN ARE APPROXIMATE AND ARE SUBJECT TO MINOR DEVIATIONS AS MAY OCCUR OR BE NECESSARY IN CONSTRUCTION. MINOR DETAILS NOT SHOWN.

- ONSPOT AUTOMATIC TIRE CHAINS TO BE PROVIDED AT REAR
- BATTERY CHARGER LOCATED IN COMPARTMENT L52
- BATTERY CHARGER INDICATOR LOCATED ON DRIVER'S SEAT RISER
- DUAL L.E.D. LIGHT STRIPS LOCATED IN HOSE BED
- FIVE FULL WIDTH/DEPTH ADJUSTABLE SHELVES LOCATED PER ORDER
- ONE ADJUSTABLE TILTING SLIDE-OUT TRAY LOCATED PER ORDER
- ONE FLOOR MOUNTED SLIDE-OUT TRAY LOCATED PER ORDER
- ONE SWING-OUT ALUMINUM TOOL BOARD LOCATED PER ORDER
- XANTREX INVERTER LOCATED PER ORDER
- ONE 120V 6-PLACE RECEPTACLE STRIP LOCATED IN CAB

- SEVEN 120V DUPLEX RECEPTACLES LOCATED PER ORDER
- ONE SLIDE-OUT TOOLBOARD WITH PEG BOARD LOCATED PER ORDER

REV	DATE	BY	CH	ENFORCER
1	18JAN23	LME	NPE	CHASSIS DATA
2	08DEC22	LME	NPE	MAKE
3	11NOV22	LME	NPE	PIERCE
4	09AUG22	LME	MGE	MODEL
5	15JUL22	LME	MGE	

		JOB NO.	37247
		SCALE	DATE
TITLE	1500-D-2530P, 2500 GAL OF WATER W/ 30 GAL FOAM CELL 244" PUC TANKER, LADDERS THRU TANK, (3) CROSSLAYS	DRAWN BY	LME
FOR	NEWBURY VFD INC. NEWBURY, OHIO	CHECKED BY	MGE
DWG NO.	37247AD	SHEET SIZE	SHEET NO.
		D	1 OF 1