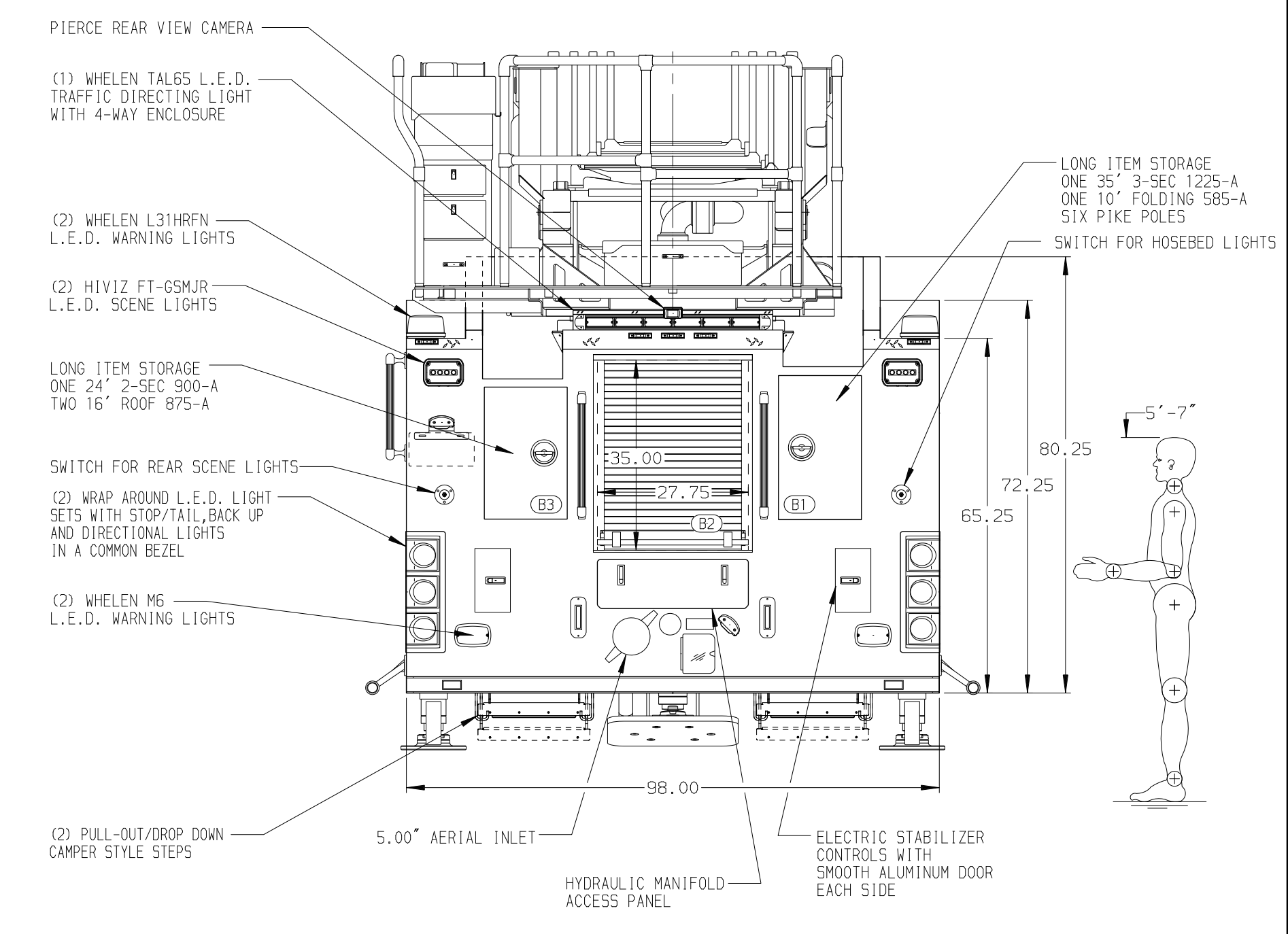
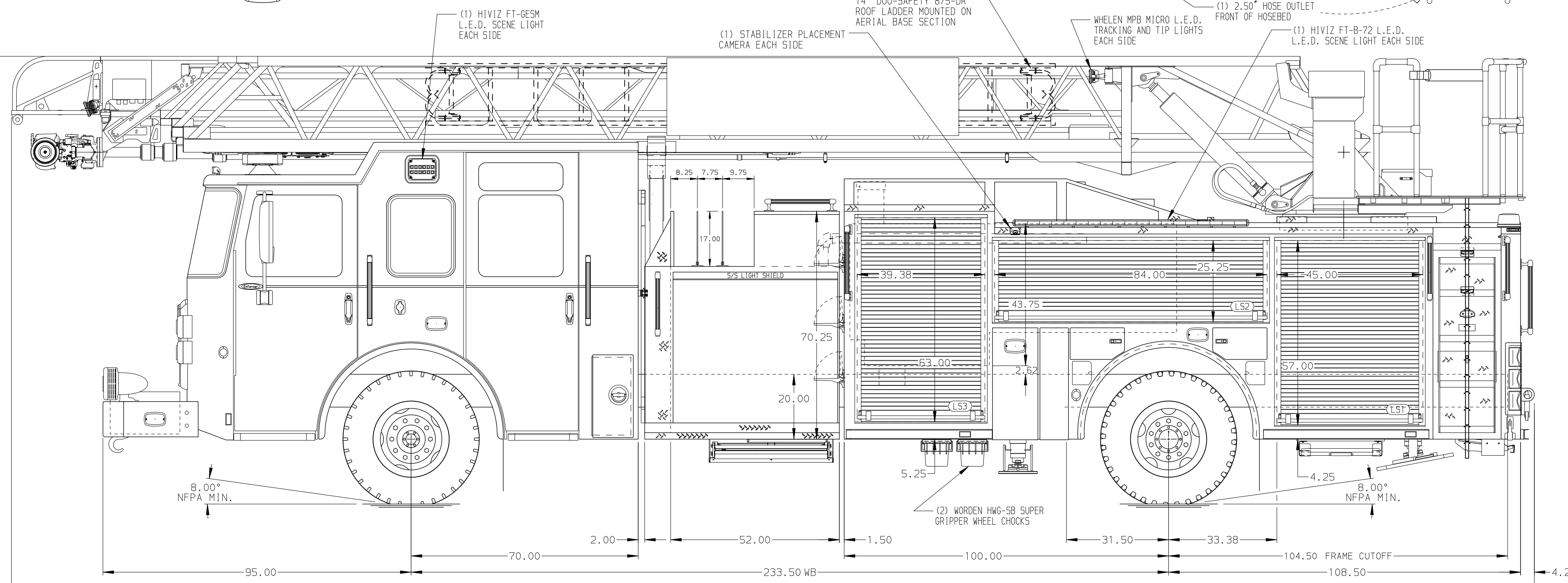


BODY 107' ASL Aluminum Body COMPT, LEFT SIDE FRONT Full Height RollUp Forward COMPT, LEFT SIDE REAR Full Height RollUp Rearward COMPT, RIGHT SIDE FRONT Full Height RollUp Forward COMPT, RIGHT SIDE REAR Full Height RollUp Rearward	WATER TANK 500 Gallon Poly Water Tank Foam System Foam System Not Required Foam Cell Foam Cell Not Required
---	---



CHASSIS Enforcer Chassis ENGINE 450 HP Cummins L9 Engine	CAB 7010 Notched Enforcer Cab BUMPER 26" Extended Painted Steel	AXLE, FRONT, CUSTOM 23,000 Lb Dana Axle AXLE, REAR 33,500 Lb Meritor Axle	TRANSMISSION Allison 5th Gen, 3000 EVS P	PUMPHOUSE 52" Control Zone Side Mount 1500 GPM Waterous CSU	CROSSLAYS, 1.50" (2) 1.50" Standard Capacity CROSSLAYS, 2.50" (1) 2.50" Standard Capacity	SPEEDLAYS Speedlays Not Required GENERATOR Generator Not Required	SAFETY Side Roll and Frontal Impact Protection	CUSTOMER APPROVAL APPROVED BY: _____ DATE: _____		JOB NO. 37255 SCALE 1:24 DATE _____
NOTE DIMENSIONS SHOWN ARE APPROXIMATE AND ARE SUBJECT TO MINOR DEVIATIONS AS MAY OCCUR OR BE NECESSARY IN CONSTRUCTION. MINOR DETAILS NOT SHOWN.										
1. ONE 1.50 OUTLET WITH 2.00 PIPING AND SWIVEL LOCATED IN CENTER BUMPER TRAY 2. SHORELINE RECEPTACLE WITH KUSSMAUL SUPER AUTO-EJECT LOCATED ON DRIVER SIDE OF THE CAB 3. AIR INLET WITH DISCONNECT COUPLING IN THE DRIVER SIDE STEPWELL 4. BATTERY CHARGER LOCATED IN CAB PER SHOP ORDER 5. BATTERY CHARGE INDICATOR LOCATED ON THE DRIVER SIDE SEAT RISER 6. SIX ADJUSTABLE SHELVES IN COMPARTMENTS PER SHOP ORDER 7. FOUR FLOOR MOUNTED SLIDE-OUT TRAYS IN COMPARTMENTS PER SHOP ORDER 8. NON-RAISED AERIAL PEDESTAL 9. LIFTING EYE ROPE RESCUE ATTACHMENT AT AERIAL TIP 10. 1500 GPM HIGH FLOW WATERWAY 11. ONE SWING-OUT TOOLBOARD IN COMPARTMENT PER SHOP ORDER 12. ONE VERTICAL PARTITION IN COMPARTMENT PER SHOP ORDER 13. RUNG LIGHTING ON AERIAL LADDER 14. 2-WAY INTERCOM SYSTEM BETWEEN AERIAL TIP OR PLATFORM AND TURNABLE 15. NO LIMITED RETRACTION										
REV _____ DATE _____ BY _____ CH _____	CHASSIS DATA MAKE PIERCE MODEL ENFORCER	TITLE 107' ASCENDANT HSL AERIAL LADDER AND BODY ASSEMBLY FOR OCEAN ISLE BEACH FD OCEAN ISLE BEACH, NC DWG NO. 37255AD	DRAWN BY LWE CHECKED BY NDA SHEET SIZE D SHEET NO. 1 OF 1							