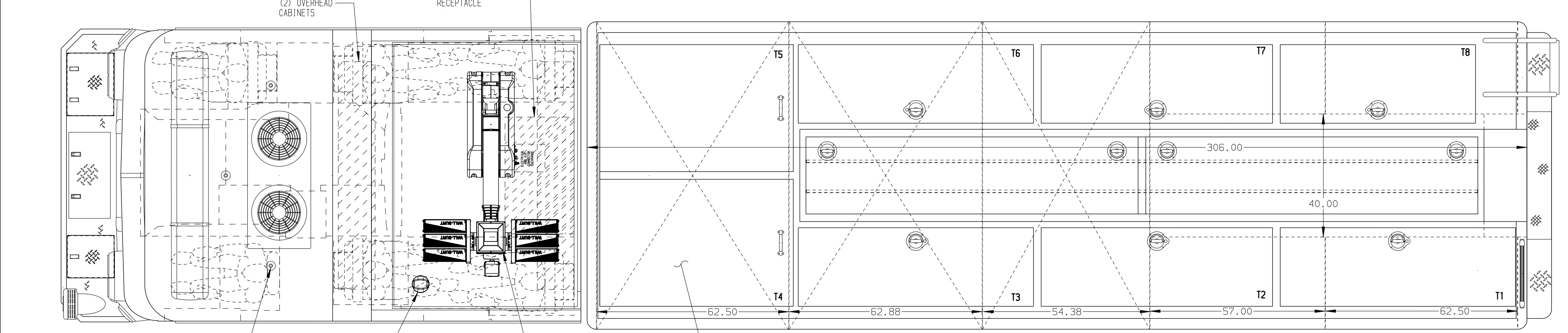
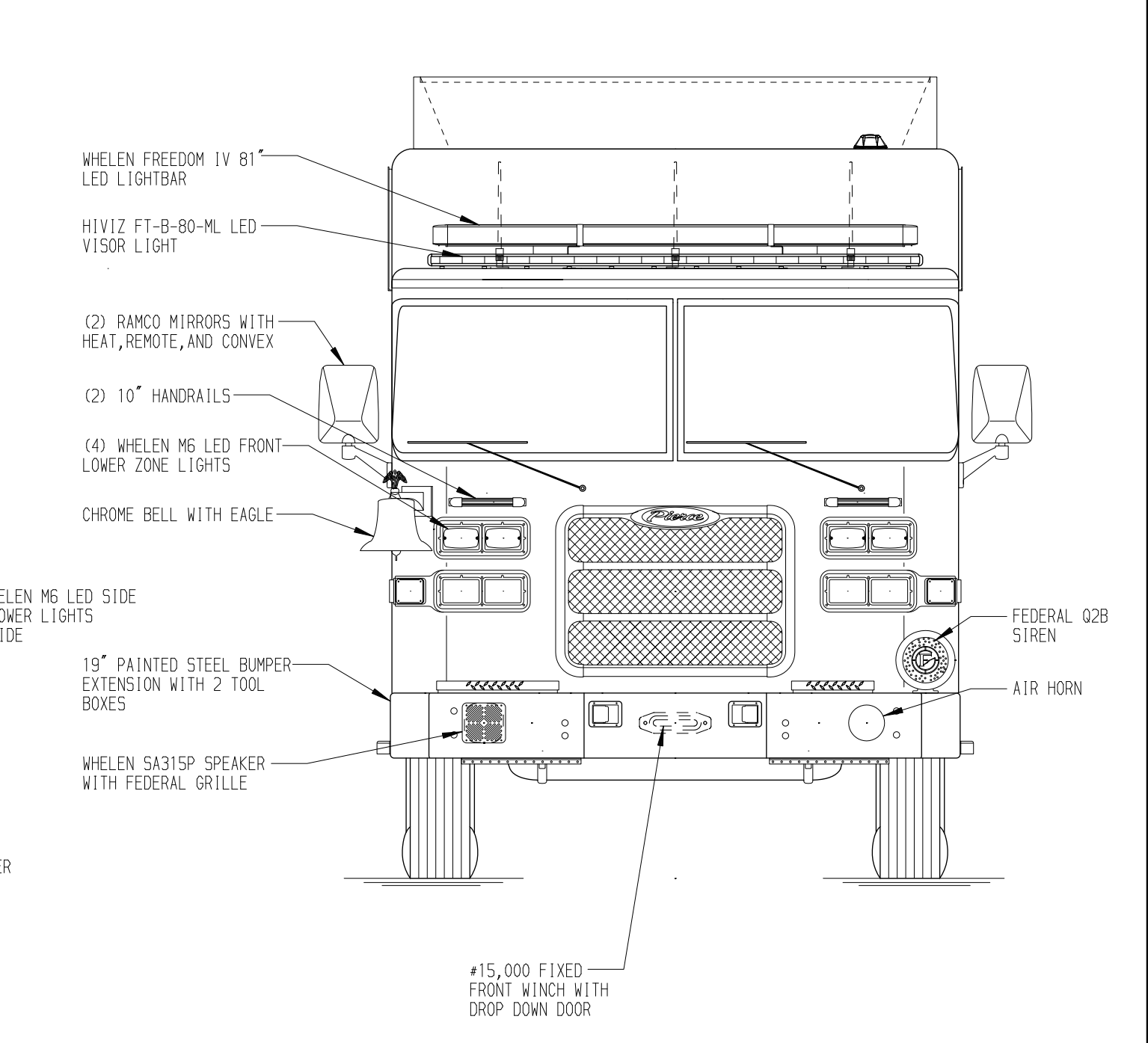
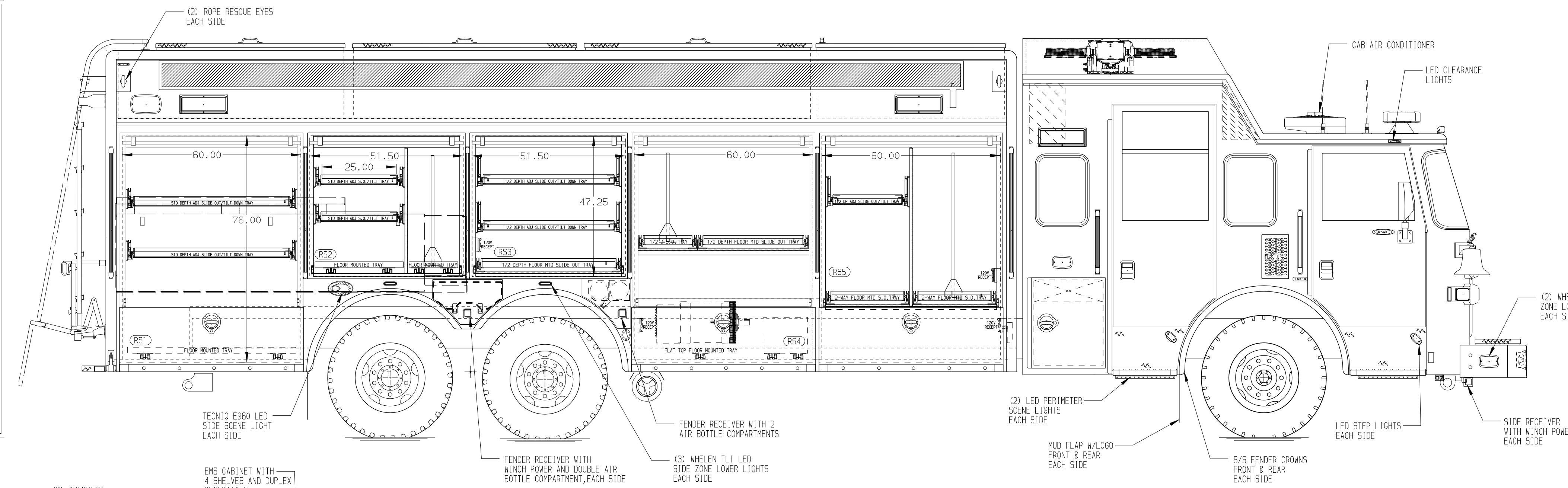
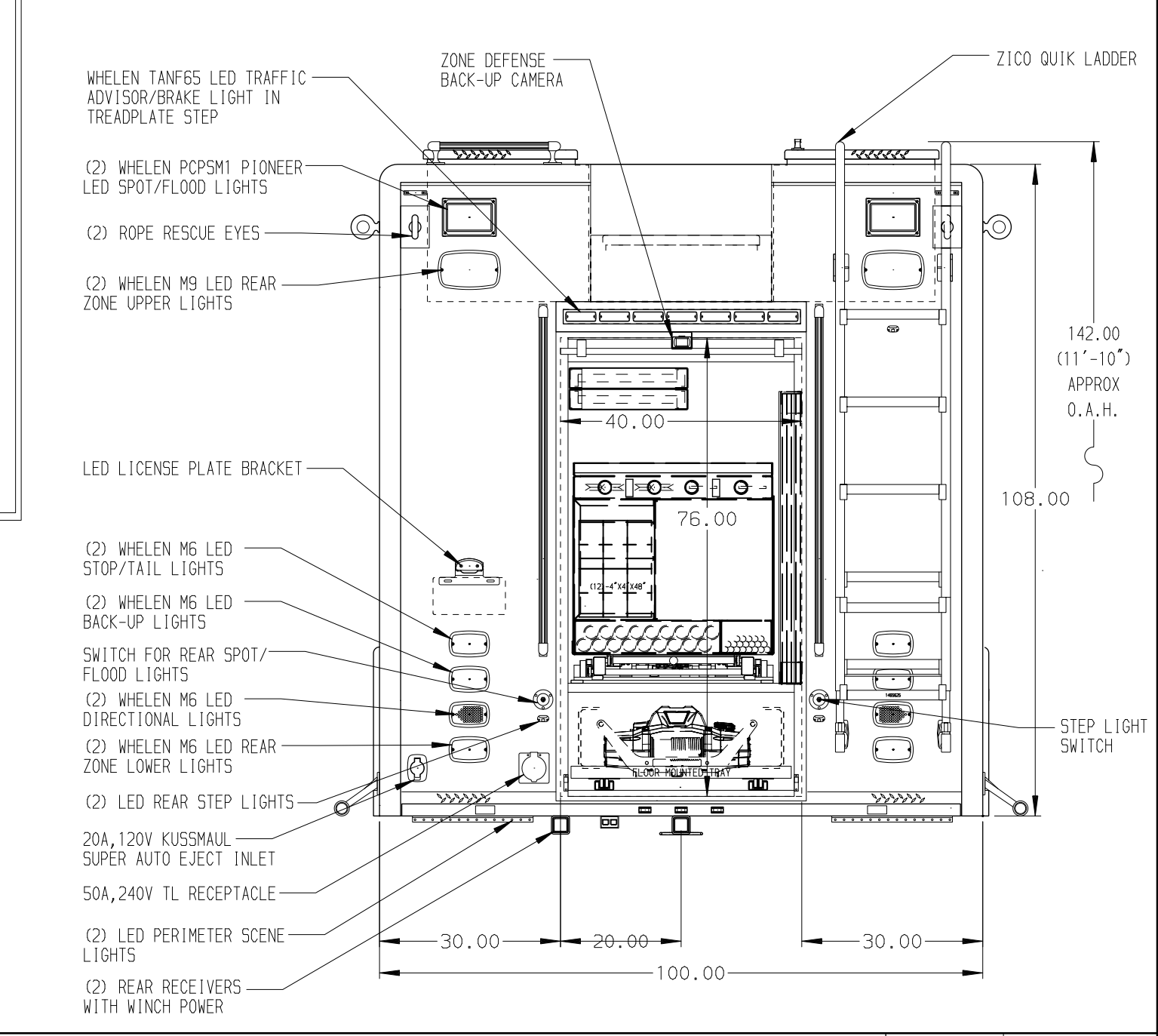
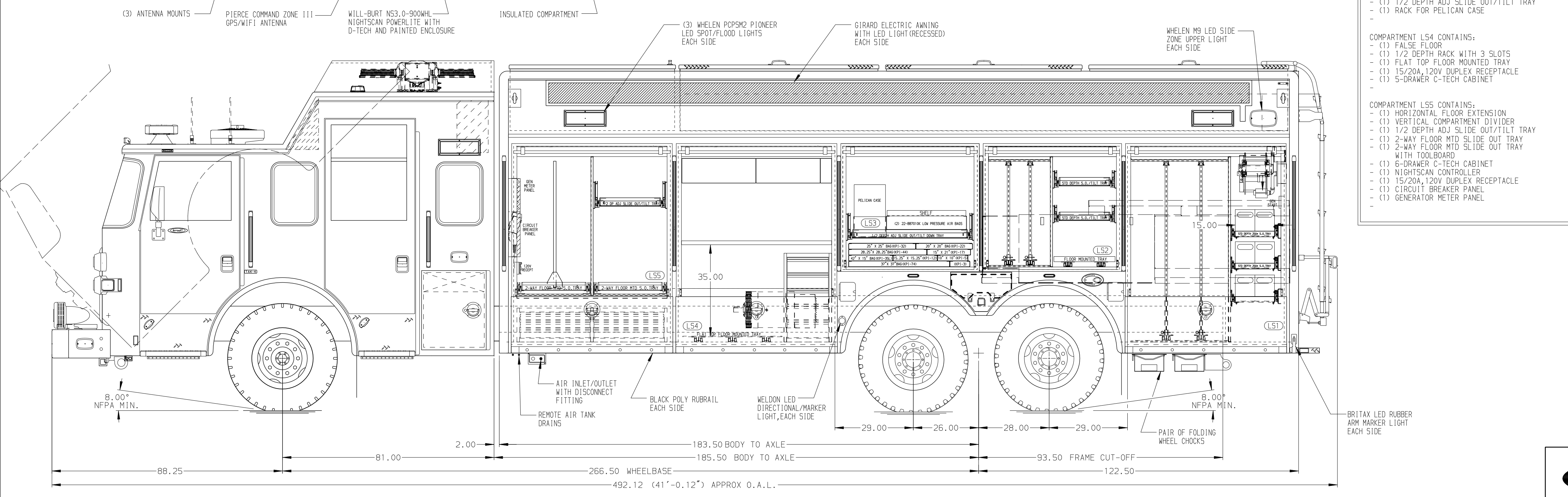


- RIGHT SIDE COMPARTMENTS CONTAIN THE FOLLOWING:**
- COMPARTMENT R51 CONTAINS:
 - (2) STD DEPTH ADJ SLIDE OUT/TILT TRAYS
 - (1) FLOOR MOUNTED TRAY
 - COMPARTMENT R52 CONTAINS:
 - (1) VERTICAL COMPARTMENT DIVIDER
 - (2) STD DEPTH ADJ SLIDE OUT/TILT TRAYS
 - (1) FLOOR MOUNTED TRAY WITH TOOLBOARD
 - (1) FLOOR MOUNTED TRAY
 - COMPARTMENT R53 CONTAINS:
 - (2) 1/2 DEPTH ADJ SLIDE OUT/TILT TRAYS
 - (1) 1/2 DEPTH FLOOR MTD SLIDE OUT TRAY
 - COMPARTMENT R54 CONTAINS:
 - (1) FALSE FLOOR
 - (1) FLOOR MOUNTED TRAY WITH 12" SIDES
 - (1) FLAT TOP FLOOR MOUNTED TRAY
 - (1) 1/2 DEPTH FLOOR MTD SLIDE OUT TRAY
 - (1) 2-WAY FLOOR MTD SLIDE OUT TRAY WITH TOOLBOARD
 - (1) 15/20A, 120V DUPLEX RECEPTACLE
 - COMPARTMENT R55 CONTAINS:
 - (1) HORIZONTAL FLOOR EXTENSION
 - (1) VERTICAL COMPARTMENT DIVIDER
 - (1) 1/2 DEPTH ADJ SLIDE OUT/TILT TRAY
 - (1) 2-WAY FLOOR MTD SLIDE OUT TRAY WITH TOOLBOARD
 - (2) 15/20A, 120V DUPLEX RECEPTACLES



- LEFT SIDE COMPARTMENTS CONTAIN THE FOLLOWING:**
- COMPARTMENT L51 CONTAINS:
 - (1) VERTICAL PEGBOARD DIVIDER
 - PEGBOARD ON FRONT & BACK WALL OF COMPARTMENT
 - (3) STD DEPTH ADJ SLIDE OUT TRAYS
 - (2) STD DEPTH ADJ SLIDE OUT TOOLBOARDS
 - (1) ELECTRICAL CORD REEL WITH 50' OF 10/3 YELLOW CORD
 - (6) POLY TOOL BOXES
 - COMPARTMENT L52 CONTAINS:
 - (1) VERTICAL COMPARTMENT DIVIDER
 - (2) STD DEPTH ADJ SLIDE OUT TRAYS
 - (1) FLOOR MOUNTED TRAY
 - (2) STD DEPTH SLIDE OUT TOOLBOARDS
 - COMPARTMENT L53 CONTAINS:
 - (1) RACK FOR 10 AIR BAGS
 - (1) 1/2 DEPTH ADJ SLIDE OUT/TILT TRAY
 - (1) RACK FOR PELICAN CASE
 - COMPARTMENT L54 CONTAINS:
 - (1) FALSE FLOOR
 - (1) 1/2 DEPTH RACK WITH 3 SLOTS
 - (1) FLAT TOP FLOOR MOUNTED TRAY
 - (1) 15/20A, 120V DUPLEX RECEPTACLE
 - (1) 5-DRAWER C-TECH CABINET
 - COMPARTMENT L55 CONTAINS:
 - (1) HORIZONTAL FLOOR EXTENSION
 - (1) VERTICAL COMPARTMENT DIVIDER
 - (1) 1/2 DEPTH ADJ SLIDE OUT/TILT TRAY
 - (1) 2-WAY FLOOR MTD SLIDE OUT TRAY WITH TOOLBOARD
 - (1) 6-DRAWER C-TECH CABINET
 - (1) NIGHTSCAN CONTROLLER
 - (1) 15/20A, 120V DUPLEX RECEPTACLE
 - (1) CIRCUIT BREAKER PANEL
 - (1) GENERATOR METER PANEL

- REAR COMPARTMENT CONTAINS THE FOLLOWING:**
- COMPARTMENT B1 CONTAINS:
 - (1) RACK FOR THE FOLLOWING:
 - (4) SHEETS OF PLYWOOD
 - (2) 14\"/>
 - (1) 119\"/>



NOTE
DIMENSIONS SHOWN ARE APPROXIMATE AND ARE SUBJECT TO MINOR DEVIATIONS AS MAY OCCUR OR BE NECESSARY IN CONSTRUCTION. MINOR DETAILS NOT SHOWN.

- NOTES:**
- WARN ZEON #10,000 PORTABLE WINCH
 - PULL STRAPS ON ALL BODY ROLL-UP DOORS
 - 5/8 GUARDS ON ALL BODY ROLL-UP DOORS
 - DAVID CLARK 6-PERSON INTERCOM SYSTEM
 - FLOOR IN CAB AND CREW CAB TO BE ALUMINUM TREADPLATE
 - AMOR DUAL LED LIGHTS IN ALL BODY AND HATCH COMPARTMENTS
 - POLISHED 5/8 SCUFFPLATES ON CAB AND CREW CAB DOOR JAMBS AND EXTERIOR COMPARTMENTS
 - ONAN 25KW SINGLE PHASE PTO DRIVEN GENERATOR LOCATED BETWEEN THE FRAME RAILS
 - TURTLE TILE IN ALL BODY SHELVES AND TRAYS

TAK-4 T3 #40,000 REAR SUSPENSION
SIDE ROLL AND FRONTAL IMPACT PROTECTION

CLEAR DOOR WIDTH KEY		CHASSIS DATA	
AMOR ROLL UP DOORS:	-2 1/4"	03NOV22	DHE CDK
CORTITE ROLL UP DOORS:	-2 1/2"	14SEP22	DHE CDK
PIERCE DOUBLE LAP DOORS:	-4 1/4"	02MAY22	DHE CDK
PIERCE LIFT-UP LAP DOORS:	-1 1/2"		
(EX: 60" F-F - 2 1/4" = 57 3/4" CLEAR)			
(F-F) = FRAME TO FRAME			
REV	DATE	BY	CH
			AX8120

Pierce MANUFACTURING INC.		JOB NO.	37258
		SCALE	DATE
		1:24	
TITLE	HEAVY DUTY RESCUE NON-WALK-IN	DRAWN BY	19APR22
FOR	ALAMEDA CO. BID #394	CHECKED BY	CDK 21APR22
		DARON WRIGHT	
DWG NO.	37258AD	SHEET SIZE	SHEET NO.
		D	1 OF 1