

PASSENGER'S SIDE COMPARTMENTS CONTAIN THE FOLLOWING:

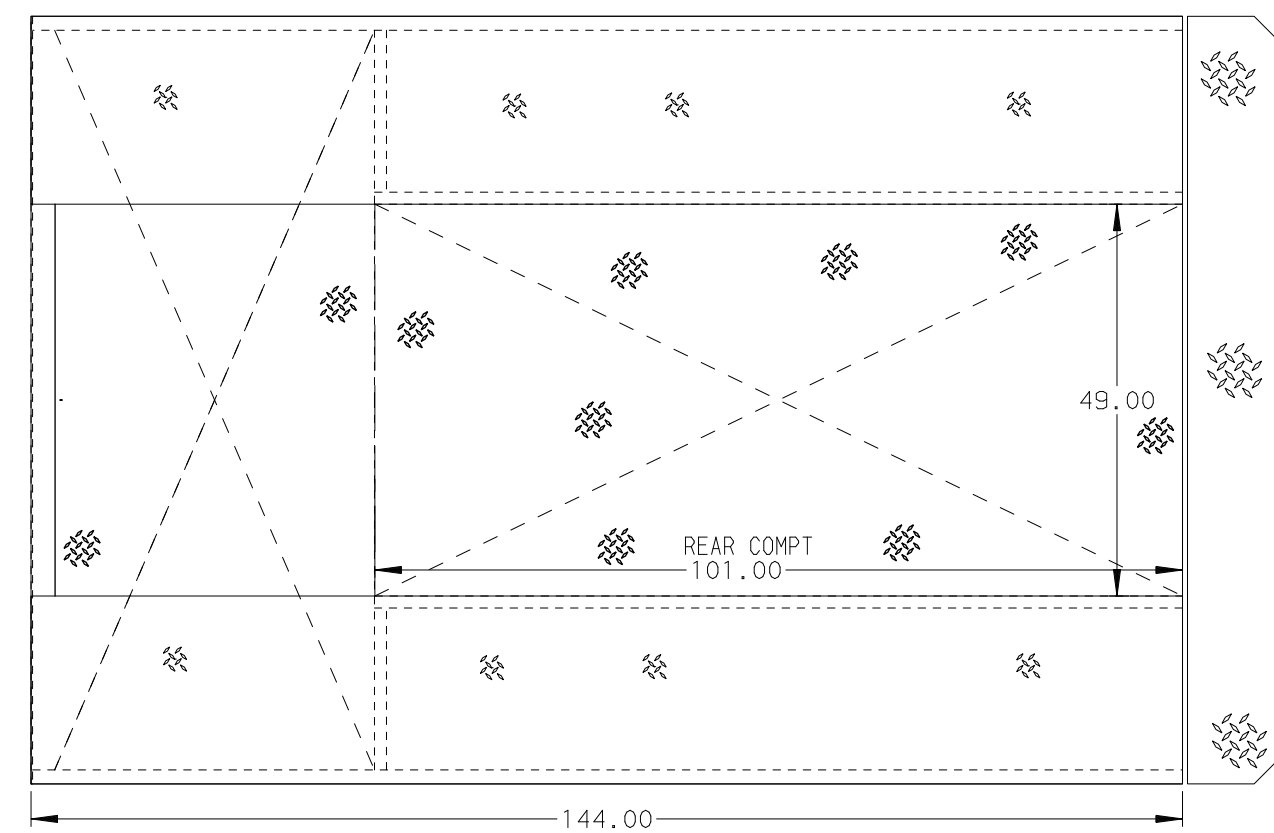
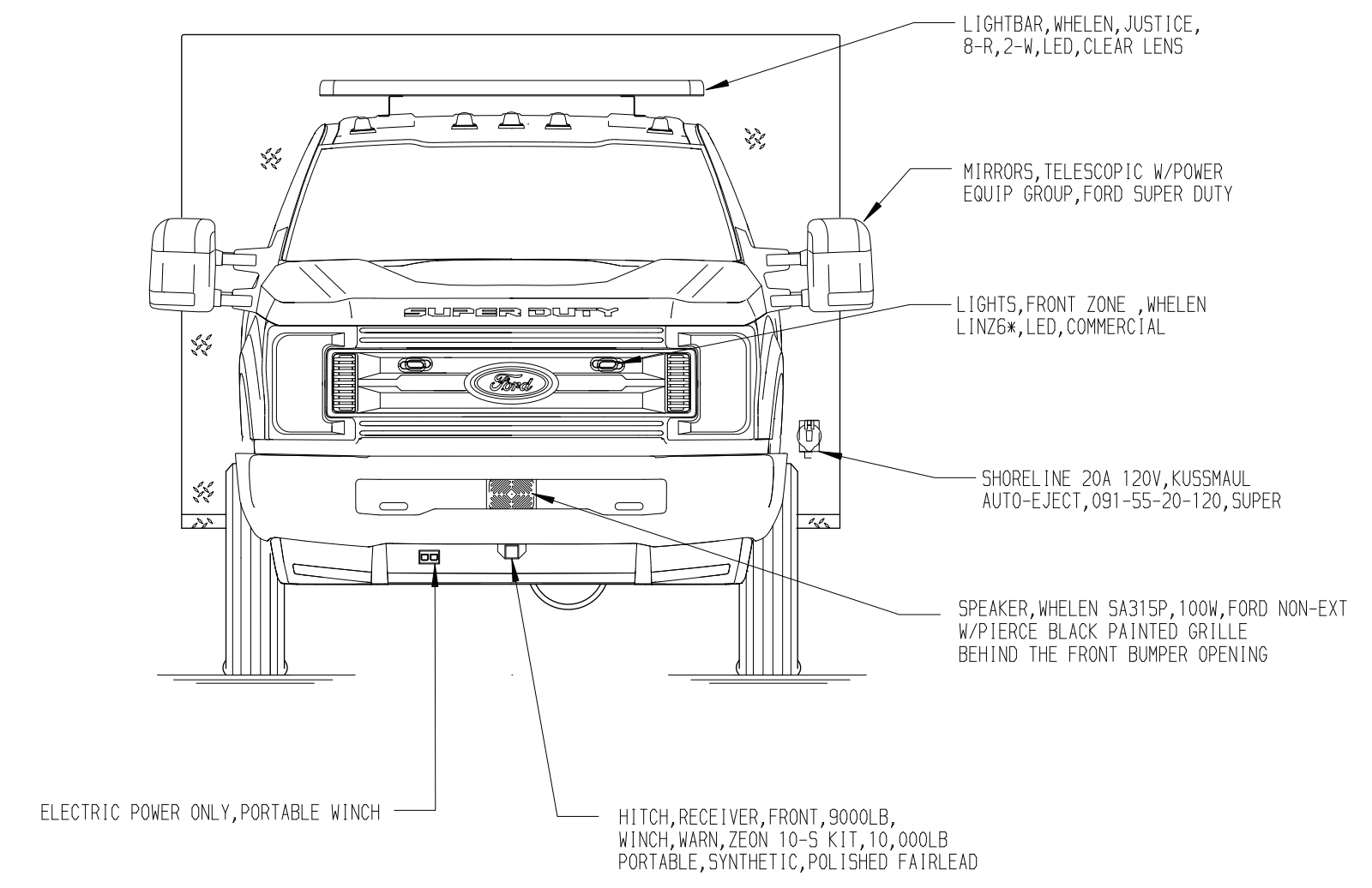
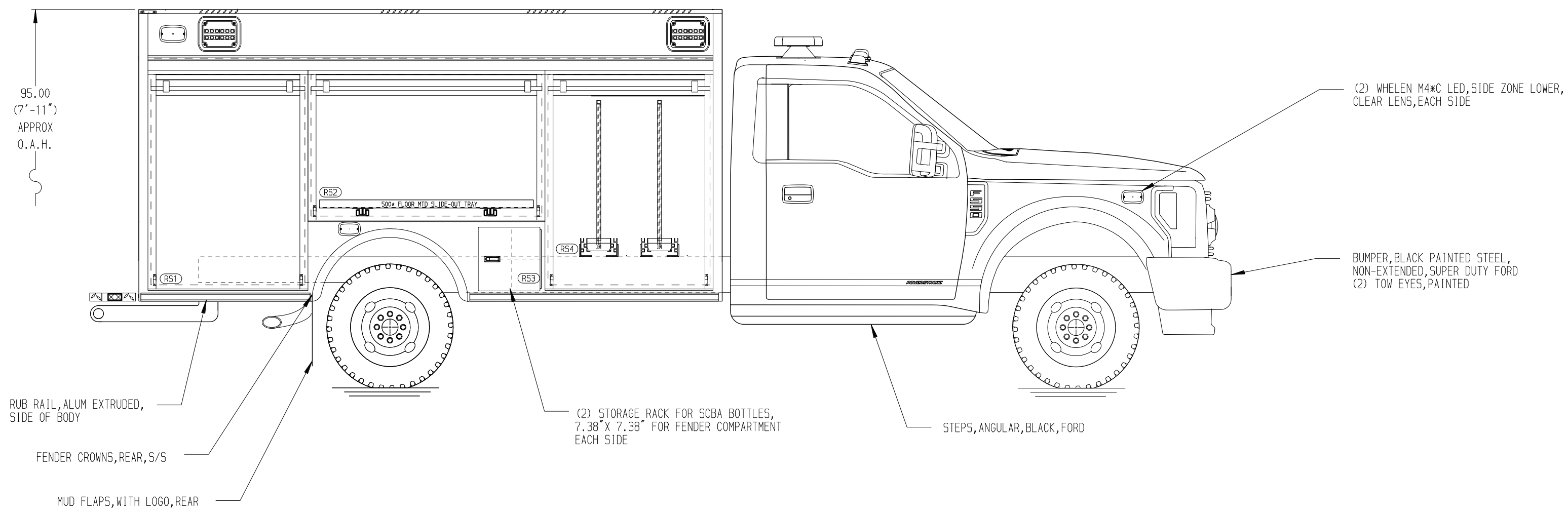
COMPARTMENT RS1 CONTAINS:

COMPARTMENT RS2 CONTAINS:

- (1) TRAY, FLOOR MOUNTED, SLIDE-OUT, 500LB, 2 SIDES

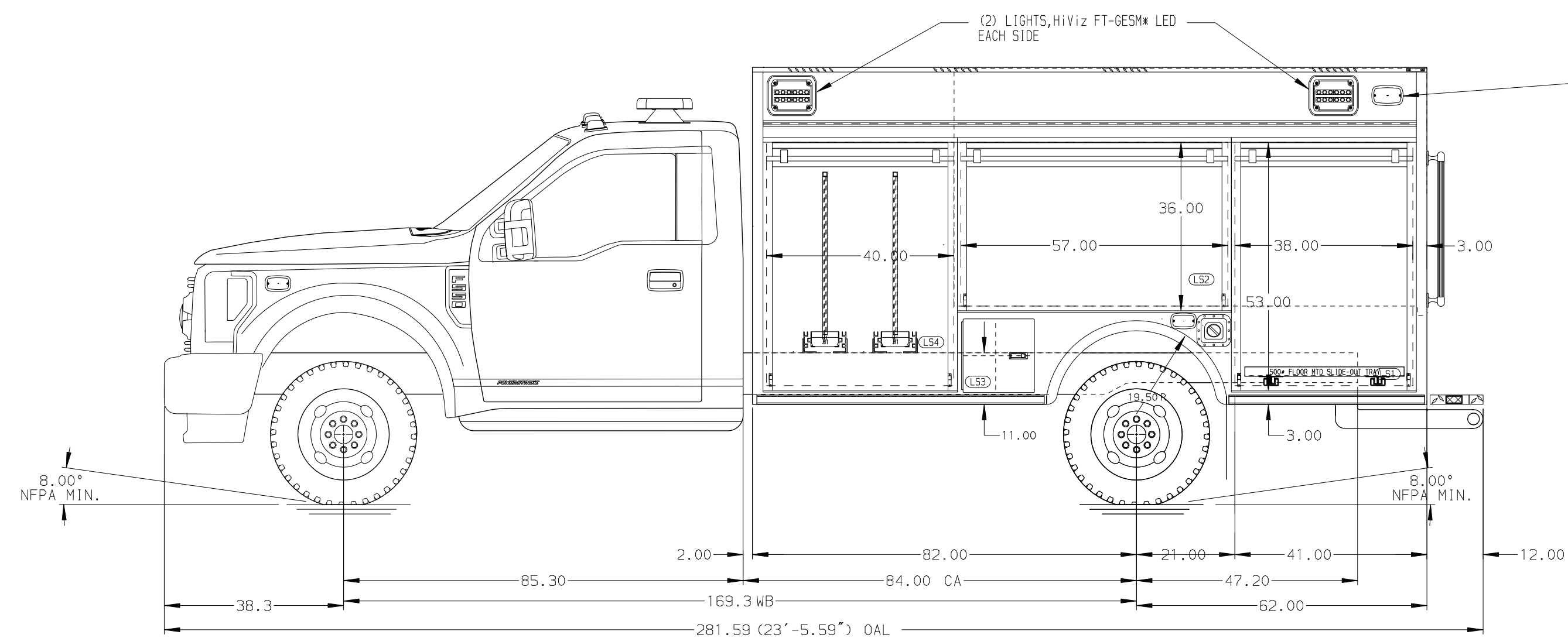
COMPARTMENT RS4 CONTAINS:

- (2) TOOLBOARD, ON SLIDE-OUT TRAY FULL DEPTH/TRANSVERSE, 2-WAY .188" PEG BOARD



REAR COMPARTMENT B1 CONTAINS THE FOLLOWING:

- (1) TRAY, SLIDE-OUT, FULL DEPTH (96"), B1 COMPT, ADJUSTABLE HEIGHT, 500LB CAPACITY



DRIVER'S SIDE COMPARTMENTS CONTAIN THE FOLLOWING:

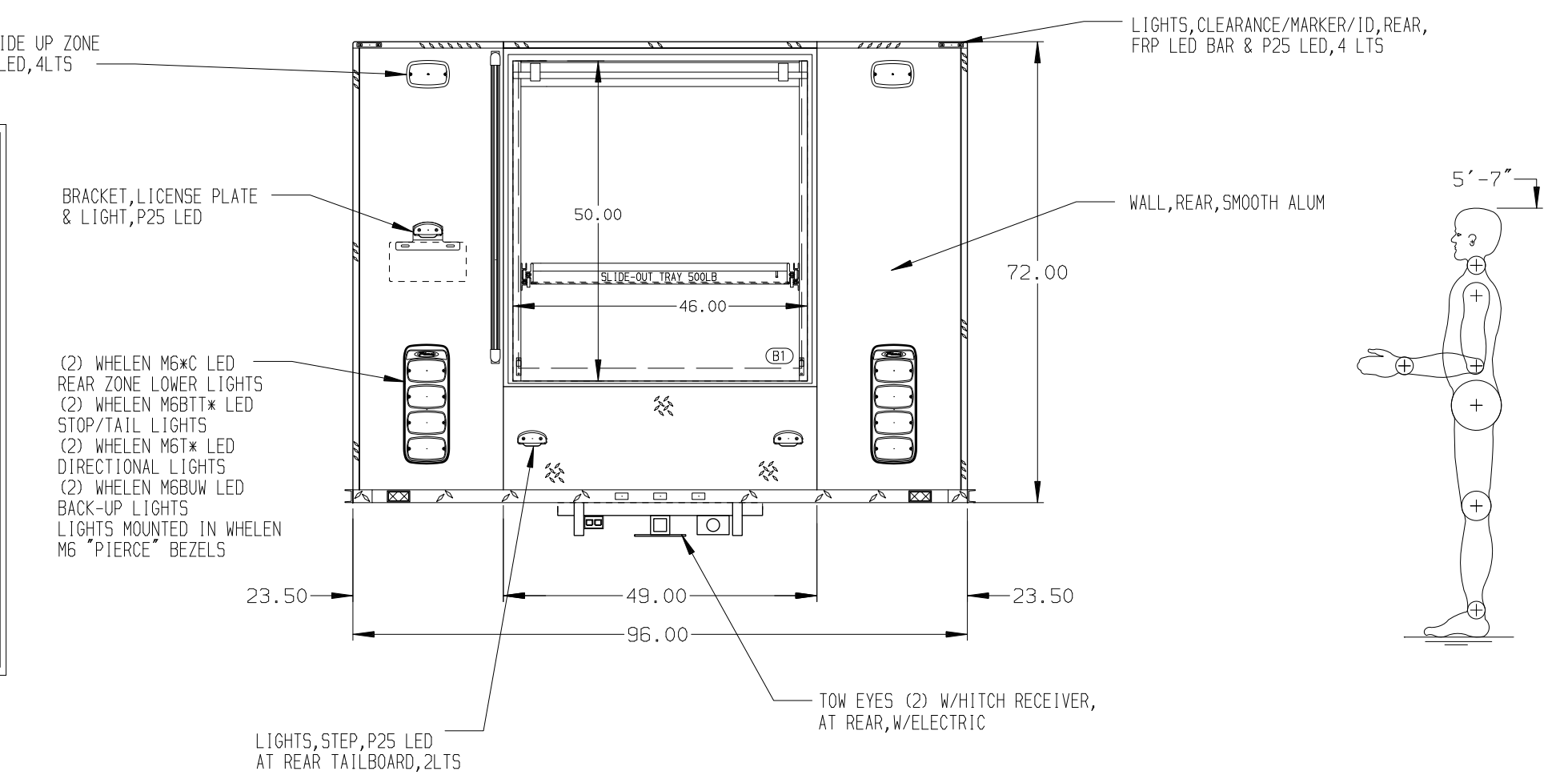
COMPARTMENT LS1 CONTAINS:

- (1) TRAY, FLOOR MOUNTED, SLIDE-OUT, 500LB, 2 SIDES

COMPARTMENT LS2 CONTAINS:

COMPARTMENT LS4 CONTAINS:

- (2) TOOLBOARD, ON SLIDE-OUT TRAY FULL DEPTH/TRANSVERSE, 2-WAY .188" PEG BOARD



ALUMINUM BODY

NOTE  
DIMENSIONS SHOWN ARE APPROXIMATE AND ARE SUBJECT TO MINOR DEVIATIONS AS MAY OCCUR OR BE NECESSARY IN CONSTRUCTION. MINOR DETAILS NOT SHOWN.

		JOB NO.	37263
		DATE	25JUL22
MANUFACTURING INC. BRADENTON, FLORIDA		SCALE	1:24
		DRAWN BY	JLA
TITLE 12' RESCUE, NON-WALK-IN		FOR	TEWKSBURY FIRE DEPARTMENT, MA TEWKSBURY, MASSACHUSETTS
		CHK'D BY	RWI
MODEL F-550 4X4		DRWG. NO.	37263AD
		SHEET NO.	1 OF 1
		SHEET SIZE	D